

CONTENTS

	Address No.
● Instruction for use of parts catalogue.....	B 2
I . How to order parts	B 2
II . How to read this parts catalogue.....	B 2
III. How to use the flat rate time (F.R.T.).....	B 7
● Model photograph.....	B 9
● Part No. index	B 10
● Block index-Engine group	C 1
● Block index-Frame group.....	G 1

B 3

3. Abbreviations

The following abbreviations are used in this parts catalogue.

ASSY. Assembly	MPH Miles per hour
COMP. Complete	L (100L) Link (100Links)
R. Right	A.C. Alternating current
L. Left	D.C. Direct current
STD. Standard	IN. Inlet
MM Millimeter	EX. Exhaust
G Gram	FR. Front
T (22T) Tooth (22Teeth)	RR. Rear
A Ampere	HEX. Hexagonal
V Volt	A.M. Attaching mark
W Watt	T.M. Transcript mark
KPH Kilometers per hour	C.D.I. Capacitive discharge ignition
L.E.D. Light emitted diode	

4. Dimensions

All dimensions are given in millimeters (mm) except in the case of steel balls, tires and tire tubes.

Parts	Example	Interpretation
Bolt (Screw)	6×12	6mm diameter, 12mm length
Pin	8×14	8mm diameter, 14mm length
O-Ring	9.5×1.6	9.5mm diameter, 1.6mm thickness
Oil seal	14×24×5	14mm inside diameter, 24mm outside diameter, 5mm thickness
Tube	5×130	5mm inside diameter, 130mm length

5. Supersedence of parts

Part numbers given under the part name in the "Description" column indicate that the part number has been superseded by that part number. HONDA may make such supersedence without notice.

6. Assemblies

Sections framed with broken lines in the exploded view drawings are available as complete assemblies. (Their individual parts can also be obtained.)

7. Required quantity

The number given in the "Reqd. No." column indicates the quantity of parts used in the section described in that block.

Parts with quantities in () represent optional parts.

Part whose required number is "N", is part whose required number can be selected at need.

8. Part modifications and applicable serial numbers

In cases where a part has been modified, the serial number of the first vehicle (or frame, engine, carburetor) bearing the modification is listed in the "Serial No." column.

B 4

9. Models, area codes and applicable serial numbers

Models, area codes and applicable serial Nos. given in this parts catalogue can be identified as follows.

Parts with area codes are exclusive for models destined for countries designated. If no area codes are listed, parts are for common use.

Model	Area code	Type	Applicable engine serial No.	Applicable frame serial No.	Applicable carburetor identification No.
CBX600Ed	SD	Sweden	PC09E-4000009~	PC09-4000009~	VE62C
CBX650Ed	1G	Germany (*1)	RC13E-2014825~	RC13-2000197~	VE54B
	2G	Germany (*2)	RC13E-3000002~	RC13-3000002~	VE54E
	ED	European direct sales (Norway)	RC13E-2012056~	RC13-2000014~	VE54B
	F	France	RC13E-2014960~	RC13-2000371~	
	U	Australia	RC13E-2014176~	RC13-2000581~	VE54D
CB650SCD	CM	Canada	RC13E-2004601~ 20000389	RC130*-DM000141~ DM022069	VE54D
CB650SCE	CM	Canada	RC13E-2106356~ 2110451	RC130*-EM106338~ EM109182	VE54D
CB650SCF	CM	Canada	RC13E-2203355~	RC130*FM203034~	VE54D
	IT	Italy	RC13E-2200001~	RC13-2200001~	VE54B

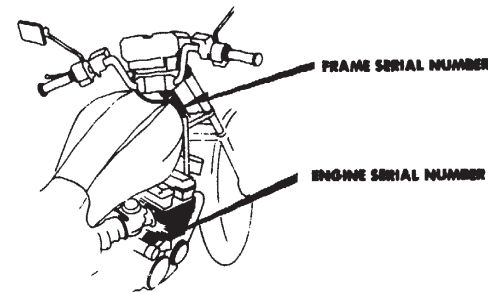
(*1) Full power type

(*2) 50PS type

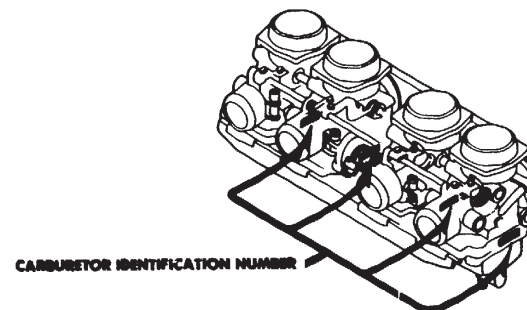
* Of carburetor identification numbers, only the portions underlined in the example below are used for registration.

VE54D KC ア

10. Location of stamped serial number



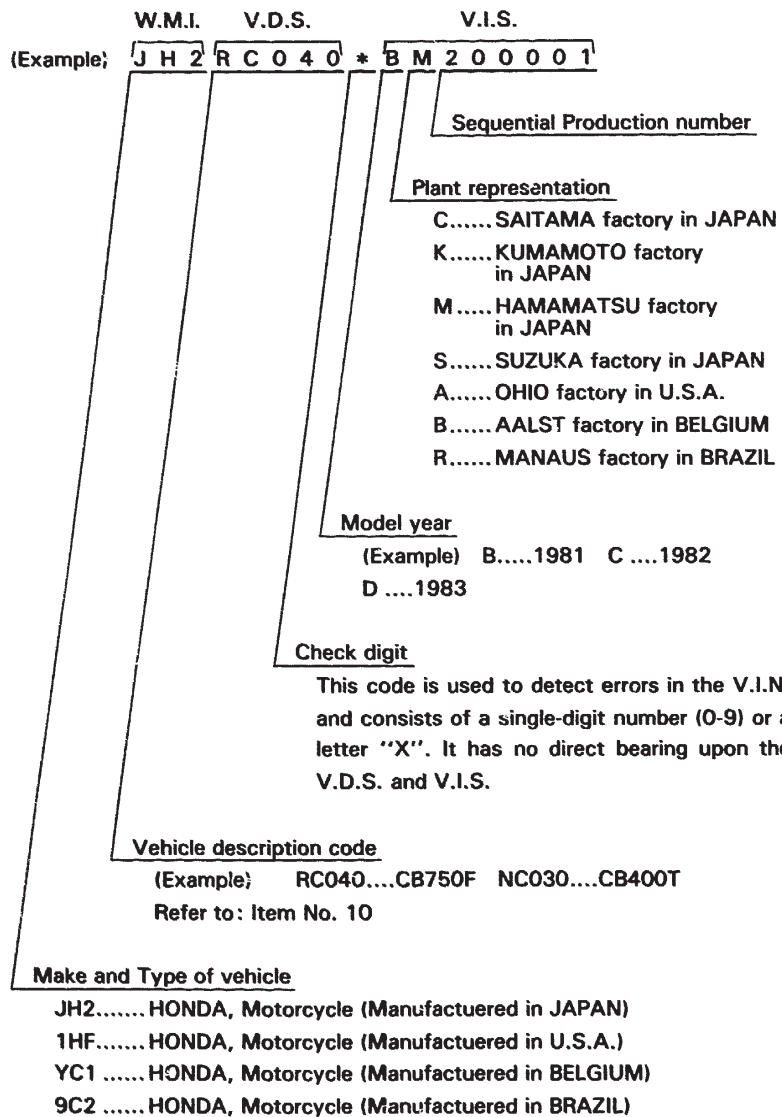
BME5-54



BME5-55



11. Construction of vehicle identification number (V.I.N.)



W.M.I. World manufacturer identifier

V.D.S. Vehicle descriptor section

V.I.S. Vehicle indicator section

Any change or modification of parts is directly related to the V.D.S. and V.I.S. A V.I.S. number will appear in the "Serial No." column of the Parts Catalogue if a part is changed or modified.

B 6

12. Selection table for lock or blank key

Refer to the following selection table to select the lock or blank key.

Type	Key No.
TYPE 1	*01 ——— *20
	A** , B**
TYPE 2	*21 ——— *40
	C** , D**

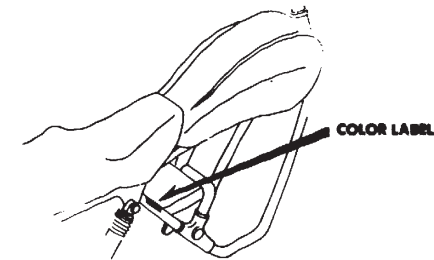
*: 0, 1, 2, 3, 4, 5, 6, 7, 8 or 9

13. Color chart

- When ordering the colored part, select its proper part number by the color label and the following table.
- The parts marked with / are given fixed part number.

MODEL	CBX600E-D/CBX650E-D			CB650SC-D		CB650SC-E	
	COLOR						
Name of colored parts	NH-121P-A	R-124C-U	NH-1-Z	PB-123P-A	R-114C-U	NH-1-Z	R-107C-U
Fuel tank							
Side cover							
Rear cowl	NH-121P-A	R-124C-U	NH-1-Z	PB-123P-A	R-114C-U	NH-1-Z	R-107C-U
Front fender							
Frame body	NH-1			NH-1		NH-1	
Rear fork	NH-1			NH-1		NH-1	
Main stand				/		/	
Side stand	/			/		/	
Drive caution mark	/			A-03		A-03	
Front fork caution label	/			/		/	
Fuel tank stripe							
Side cover stripe	TYPE 1	TYPE 2	TYPE 3				
Side cover emblem							

MODEL	CB650SC-F				
	AREA CODE	CM		IT	
	COLOR	R-130C-U	PB-117C-U	R-101C-U	PB-117C-U
Name of colored parts	CODE	R130	PB117	R101	PB117
Fuel tank					
Side cover					
Rear cowl					
Front fender					
Frame body		NH-1		NH-1	
Rear fork		NH-1		NH-1	
Steering stem		/		/	
R. Rear engine hanger bracket		/		/	
Front fork caution label		A-03		A-03	
Drive caution mark		A-03		A-03	



BME5-53



III. How to use the flat rate time (F.R.T.)

This F.R.T. (Flat Rate Time) is used to determine the standard labor time allowed for replacement of parts covered by the warranty during the period the warranty is in effect. The F.R.T. for those parts which are not listed herein should be determined from the operation closely related to the replacement of that part.

1. The F.R.T. is based on the following servicing conditions

- A liberal allowance is added to the net servicing time.
- Standard times specified are based on the condition that the necessary servicing tools listed in the service manual (motorcycle) which describes the HONDA service policy are available close at hand and the work performed by a mechanic with normal skill.
- Time required for inspection and operational test following the servicing is included in the F.R.T.

2. Method of computing

The job times are listed in tenth of an hour to simplify computation.

- (Example) 0.3 = 18 minutes
 5.6 = 5 hours and 36 minutes

CONVERSION CHART			
Hours	Minutes	Hours	Minutes
0.1	6	0.6	36
0.2	12	0.7	42
0.3	18	0.8	48
0.4	24	0.9	54
0.5	30	1.0	60

3. Computing the F.R.T.

When several jobs are performed at the same time, make the calculation in the following manner.

a. Jobs of non duplicated nature

The F.R.T. for the job is obtained by totalling the F.R.T. for each part replaced.

(Example) Replacement of cylinder head and clutch spring.

Service item	F.R.T.
Cylinder head	6.1
Clutch spring	0.6

The F.R.T. for the job is: $6.1 + 0.6 = 6.7$

b. Jobs of duplicated nature

Take the F.R.T. for the last part to be replaced.

(Example) Replacement of piston and cylinder head gasket.

Service item	F.R.T.
Cylinder head gasket	3.0
Piston	3.7

The F.R.T. for the job is: 3.7

c. Jobs of partially related nature

Total up the F.R.T. for all of the parts replaced and then subtract the F.R.T. for the duplicated operation.

(Example) Replacement of gearshift drum and crankshaft assembly.

Service item	F.R.T.
Gearshift drum	*5.3
Crankshaft	*8.7
Crankcase disassembly	*4.8

The F.R.T. for the job is: $(5.3 + 8.7) - 4.8 = 9.2$

Crankcase disassembly is the duplicated operations.

● The F.R.T. shown with (*) includes engine removal and installation.

4. Operations other than replacing parts

a. Removal and installation

No.	Service item	F.R.T.
1	Engine	2.9
2	Cylinder head	3.0
3	Carburetor	0.6
4	Final driven gear	0.5

b. Adjustment, measurement and cleaning

Engine

No.	Service item	F.R.T.
1	Spark plug-adjustment and cleaning	0.4
2	Carburetor idle-adjustment	0.1
3	Engine oil-inspection (excluding oil change)	0.1
4	Cleaner element-cleaning	0.2
5	Compression-pressure measurement	0.4
6	Battery-checking of electrolyte level and gravity	0.2
7	Carburetor-float level measurement	0.8
8	Oil strainer cleaning	0.9
9	Throttle operation-adjustment	0.1
10	Carburetor synchronization-adjustment	0.5

Frame

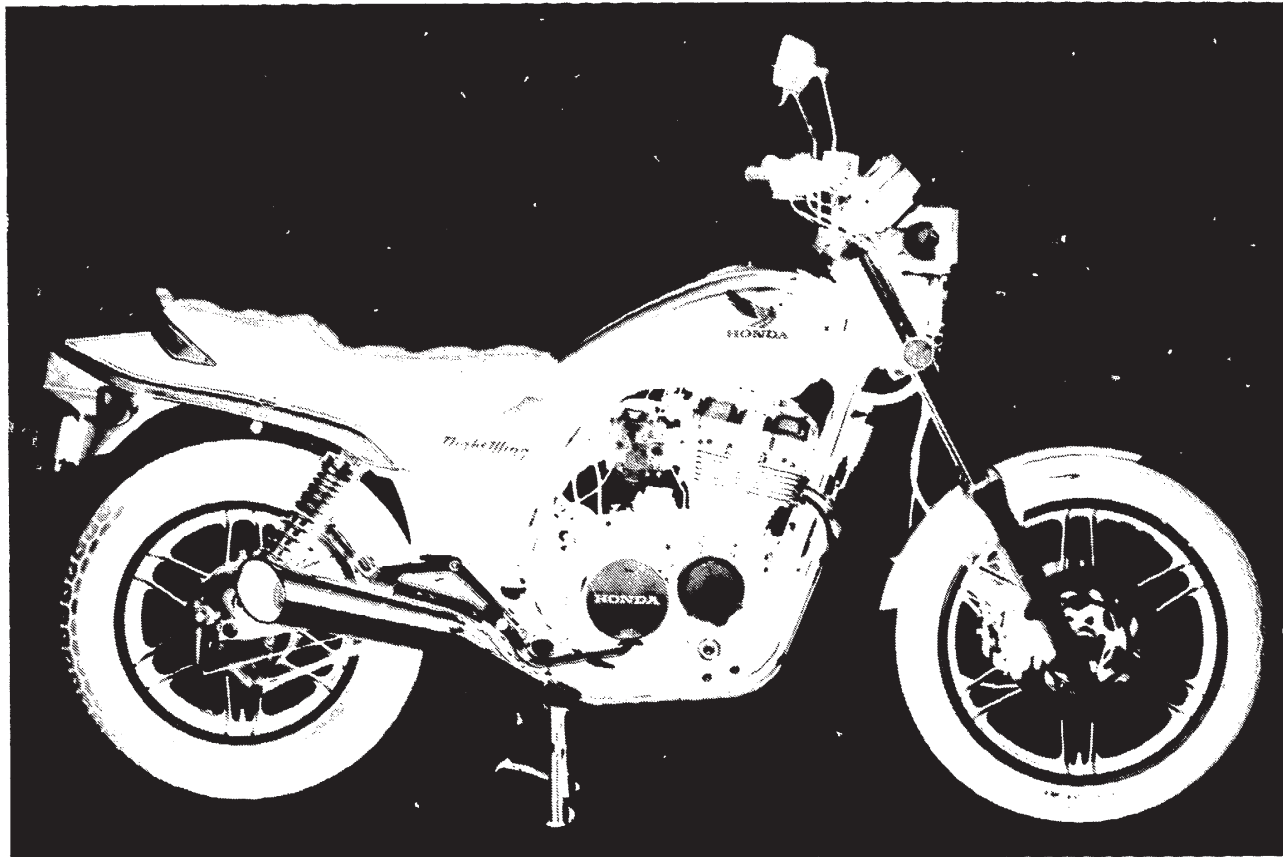
No.	Service item	F.R.T.
1	Front brake-air bleeding	0.2
2	Rear brake-adjustment	0.1
3	Brake-operation test	0.1
4	Headlight-aimings	0.2
5	Front wheel balance	0.8
6	Rear wheel balance	0.9

c. Overhaul

No.	Service item	F.R.T.
1	Carburetor	2.6
2	Final driven gear	2.1

● This parts catalogue is compiled as of January 10, 1985.

B 9



CBX650Ed-CM



Part No. Address No.
 Nº de pièce Nº de Adresse
 Teile-Nr. Adresse-Nr.
 No. de pieza No. de direccion

18375-ME5-003 J 16
 18375-ME5-610 J 16
 18375-413-000 J 16
 18392-413-000 J 16
 18400-ME4-640 K 1
 18400-ME5-610 K 1
 18400-ME5-671 K 1
 18400-ME5-672 K 1
 18400-ME5-711 K 1
 18421-MA6-000 K 1
 18421-ME5-000 K 6
 18422-MA6-000 K 1
 18425-ME5-003 K 1
 18425-ME5-610 K 1
 18534-634-670 D 14

21000

21100-ME5-000 E 13
 21100-ME5-010 E 13
 21100-ME5-770 E 13
 21200-ME5-000 E 13
 21291-ME5-000 E 13
 21301-ME5-000 E 14
 21321-ME5-000 E 14
 21322-ME5-000 E 14
 21323-ME5-000 E 14
 21324-ME5-000 E 14
 21325-ME5-000 E 14
 21371-ME5-000 E 14
 21371-ME5-010 E 14
 21381-ME5-000 E 14
 21382-ME5-000 E 15
 21383-ME5-000 E 15
 21384-ME5-000 E 15
 21385-ME5-000 E 15
 21386-ME5-000 E 15
 21387-ME5-000 E 15

22000

22100-ME4-003 D 4
 22100-ME5-671 D 4
 22116-ME5-000 D 4
 22120-ME5-003 D 4
 22120-ME5-013 D 4
 22201-MA6-000 D 4
 22321-ME5-003 D 4
 22350-ME5-003 D 4
 22366-ME5-000 D 4
 22401-MB0-000 D 4
 22850-MB0-000 D 4
 22860-ME5-000 D 2
 22861-ME5-000 D 2
 22862-ME5-000 D 2

22862-ME5-000 F 9
 22863-MB0-003 D 2
 22864-MB0-003 D 2
 22865-MB0-003 D 2
 22871-ME5-000 D 2
 22880-ME5-671 G 15
 22880-ME5-771 G 15
 22880-ME5-772 G 15
 22884-MB0-006 G 15
 22885-MB0-006 G 15
 22886-MB0-305 G 15
 22889-ME5-003 G 15
 22889-ME5-013 G 15
 22889-ME5-611 G 15

23000

23200-ME5-000 E 15
 23200-ME5-770 E 15
 23211-ME5-000 E 6
 23411-MA6-000 E 6
 23411-ME5-000 E 6
 23412-MA6-000 E 6
 23431-ME5-000 E 6
 23441-ME5-000 E 6
 23442-ME5-000 E 6
 23442-ME5-010 E 6
 23451-ME5-000 E 6
 23461-ME5-000 E 6
 23471-ME5-000 E 7
 23472-ME5-000 E 7
 23481-ME5-000 E 7
 23491-ME5-000 E 7
 23491-ME5-010 E 7
 23501-ME5-000 E 7
 23501-ME5-600 E 7
 23505-ME5-000 E 7
 23511-ME5-000 E 7

24000

24211-ME5-000 E 9
 24221-ME5-000 E 9
 24231-ME5-000 E 9
 24261-283-000 E 7
 24300-ME5-000 E 9
 24301-ME5-000 E 9
 24302-ME5-000 E 9
 24303-ME5-000 E 9
 24307-ME5-000 E 9
 24430-MA6-000 E 10
 24435-ME5-000 E 10
 24437-MA6-000 E 10
 24443-ME5-000 E 10
 24610-ME5-000 E 10
 24624-MA6-000 E 10
 24651-107-000 E 10
 24652-259-000 E 10
 24700-ME5-000 K 3
 24700-ME5-610 K 3
 24705-MB0-000 K 3
 24720-ME5-000 K 3
 24721-ME5-000 K 3
 24724-422-000 K 3
 24781-419-000 K 3

28000

28101-ME5-000 D 8

28106-ME5-000 F 9
 28111-ME5-000 D 2
 28115-ME5-000 D 2
 28120-ME5-000 D 2
 28125-426-000 D 2
 28126-323-000 G 15
 28151-ME5-000 G 15
 28154-ME5-000 G 15
 28156-ME5-000 G 15
 28161-ME5-003 G 15
 28161-ME5-004 G 15
 28171-ME5-000 G 15
 28171-ME5-010 G 15
 28191-ME5-000 G 15

30000

30291-ME5-000 E 15
 30300-ME5-000 E 15
 30311-ME5-000 E 6
 30313-ME5-000 E 6
 30315-ME5-000 E 6
 30322-ME5-000 E 6
 30400-ME5-004 J 10
 30400-ME5-005 J 10
 30400-ME5-014 J 10
 30400-ME5-015 J 10
 30505-ME5-000 E 6
 30506-ME5-000 E 6
 30507-ME5-000 E 7
 30510-MA6-013 E 7
 30515-ME5-000 E 7
 30520-MB0-000 E 7
 30751-ME5-000 E 7
 30752-ME5-000 E 7
 30753-ME5-000 E 7
 30754-ME5-000 E 7
 30990-ME5-000 D 14
 30995-ME5-000 D 14

31000

31100-ME5-005 D 6
 31100-ME5-015 D 6
 31110-ME5-005 D 6
 31115-ME5-005 D 6
 31120-ME5-005 D 6
 31120-ME5-015 D 6
 31200-ME5-000 D 8
 31201-MA6-000 D 8
 31204-MA6-000 D 8
 31205-MB0-000 D 8
 31206-MA6-000 D 8
 31207-179-711 D 9
 31500-ME5-601 J 6
 31600-ME5-003 J 10
 31700-124-003 L 11
 31700-124-008 L 11

32000

32100-ME5-000 L 11
 32107-ME5-000 L 11
 32161-399-000 L 11
 32161-404-000 G 11
 32170-ME5-000 L 11
 32401-ME5-000 J 6
 32410-ME5-000 J 6

32411-253-000 J 6
 32412-ME5-000 J 6
 32412-426-000 J 6
 32415-425-000 J 6
 32450-ME5-003 H 4
 32601-ME5-000 J 6
 32601-ME5-010 J 6

33000

33100-ME5-611 G 2
 33100-ME5-621 G 2
 33100-ME5-651 G 2
 33100-ME5-670 G 2
 33105-ME5-000 G 2
 33120-ME5-610 G 2
 33120-ME5-650 G 2
 33180-422-003 G 2
 33400-ME5-003 L 4
 33400-ME5-651 L 4
 33400-ME5-671 L 4
 33401-MB1-003 L 4
 33401-MB1-671 L 4
 33402-MB1-003 L 4
 33403-MB1-003 L 4
 33403-MB1-671 L 4
 33404-MB1-601 L 4
 33405-ME5-003 L 4
 33405-ME5-671 L 4
 33407-MB1-003 L 4
 33408-MB1-003 L 4
 33450-ME5-003 L 5
 33450-ME5-651 L 5
 30751-ME5-000 L 5
 33455-ME5-003 L 5
 33455-ME5-671 L 5
 33490-ME5-000 L 5
 33518-SA2-003 L 8
 33551-568-610 L 5
 33600-ME5-003 L 5
 33600-ME5-651 L 5
 33600-ME5-671 L 6
 33602-MB1-601 L 6
 33605-ME5-003 L 6
 33650-ME5-003 L 6
 33650-ME5-651 L 6
 33650-ME5-671 L 6
 33655-ME5-003 L 6
 33690-ME5-003 L 6
 33701-ME5-003 L 8
 33701-ME5-611 L 8
 33701-ME5-671 L 8
 33705-MB0-601 L 8
 33706-ME5-611 L 8
 33706-ME5-671 L 8
 33741-MC7-611 L 8
 33741-MC7-612 L 8
 33741-ME5-003 L 8
 33741-413-003 H 4
 33742-ME5-003 L 8
 33742-ME5-671 L 8
 33743-ME5-671 L 8
 33905-371-601 G 2

34000

34901-MC7-601 G 2
 34901-371-621 G 2
 34903-388-611 G 2

34904-303-003 J 6
 34905-268-671 J 6
 34906-313-671 J 6
 34906-341-671 H 4
 34908-GA7-701 J 6
 34908-634-611 J 6
 34911-634-611 L 8

35000

35010-ME5-007 H 2
 35010-ME5-017 H 2
 35010-ME5-027 H 2
 35010-ME5-610 H 2
 35100-ME5-007 H 2
 35100-ME5-611 H 2
 35101-MA6-007 H 2
 35121-MA6-811 H 2
 35122-MA6-811 H 2
 35130-ME5-671 G 9
 35130-ME5-771 G 9
 35130-ME5-780 G 9
 35140-ME5-000 H 2
 35150-ME5-610 G 9
 35150-ME5-710 G 9
 35200-ME5-610 G 10
 35200-ME5-670 G 10
 35200-ME5-710 G 10
 35200-ME5-771 G 10
 35330-MB0-003 G 15
 35340-MA5-671 G 12
 35350-ME5-000 K 3
 35351-ME5-000 K 3
 35357-ME5-000 K 3
 35500-MB9-004 D 1
 35550-MB1-008 L 2
 35550-MB1-671 L 2
 35551-ME5-000 L 2
 35759-ME5-000 E 10
 35759-ME5-003 E 10
 35763-ME5-000 E 11
 35850-MB0-007 J 6
 35852-MB0-007 J 6
 35856-MB0-007 J 6

37000

37100-ME5-611 G 5
 37100-ME5-621 G 5
 37100-ME5-651 G 5
 37100-ME5-710 G 5
 37100-ME5-720 G 5
 37100-ME5-721 G 5
 37100-ME5-740 G 5
 37150-ME5-611 G 5
 37150-ME5-651 G 5
 37150-ME5-710 G 6
 37150-ME5-720 G 5
 37150-ME5-740 G 5
 37200-ME5-610 G 6
 37200-ME5-670 G 6
 37200-ME5-720 G 6
 37220-ME5-000 G 6
 37220-445-008 G 6
 37250-ME5-670 G 6
 37300-ME5-671 G 6
 37400-ME5-670 G 6
 37500-ME5-670 G 6

37600-ME5-670 G 2
 37616-ME5-000 L 5
 37617-ME5-000 L 6
 37650-ME5-670 L 8
 37700-ME5-670 L 8
 37800-ME5-003 G 5
 37800-ME5-611 L 5
 37800-ME5-611 L 8

38000

38110-ME5-000 H 4
 38110-ME5-650 H 4
 38120-MB1-700 H 4
 38120-MB1-740 H 4
 38215-ME5-000 H 4
 38215-ME5-620 H 4
 38231-SA5-003 H 4
 38301-MB0-004 L 15
 38301-MF8-771 J 10
 38301-MF8-773 J 10
 38306-KJ6-740 J 10
 38306-292-000 J 10

40000

40200-ME5-000 G 10
 40200-ME5-010 G 10
 40201-ME5-300 G 10
 40201-ME5-310 G 10
 40211-ME5-000 G 15
 40212-ME5-000 G 12
 40213-ME5-000 K 3
 40214-ME5-000 K 3
 40215-ME5-000 K 3
 40216-ME5-000 D 1
 40216-ME5-010 L 2
 40217-MB0-010 L 2
 40218-ME5-000 L 2
 40219-ME5-000 E 10
 40220-ME5-000 E 10
 40221-MB0-000 E 11
 40222-ME5-000 J 6
 40250-ME5-000 J 6
 40514-147-000 J 6
 40515-413-000 K 6

41000

41300-ME5-000 G 5
 41300-ME5-770 G 5
 41301-ME5-000 G 5
 41301-ME5-770 G 5
 41303-463-300 G 5
 41306-MB0-010 G 5
 41310-ME5-305 G 5
 41311-ME5-770 G 5
 41321-MB0-010 G 6
 41321-ME5-770 G 5
 41324-MB0-010 G 5
 41331-MB0-000 G 6
 41332-415-000 G 6
 41333-415-000 G 6
 41410-ME5-000 G 6
 41433-MB0-010 G 6
 41436-MB0-310 G 6
 41437-MB0-310 G 6
 41438-MB0-310 G 6
 41450-MB0-000 G 6

B 13

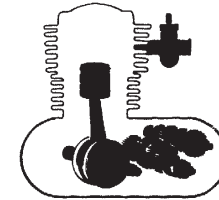
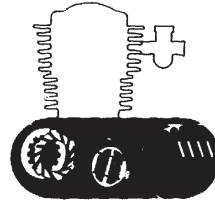
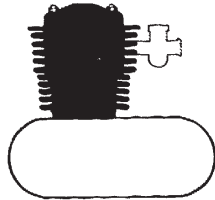
Part No. Address No.
 Nº de pièce Nº de Adresse
 Teile-Nr. Adresse-Nr.
 No. de pieza No. de dirección

		836A0-ME5-780ZC	J 7	87512-ME5-610	J 8	90048-ME5-000	D 15	90154-ME9-000	H 3	90543-273-000	H 16
		836A1-ME4-640ZA	J 7	87512-ME5-620	J 8	90049-ME5-000	D 1	90155-ME5-000	K 1	90544-283-000	H 12
		836A1-ME4-640ZB	J 7	87512-ME5-670	J 8	90055-ME5-000	D 6	90163-MA3-660	L 14		H 16
		836A1-ME4-640ZC	J 7	87517-MB0-770ZC	J 2	90061-MB0-000	E 15	90164-460-840	I 4	90545-300-000	C 10
		836A1-ME5-000ZA	J 8	87517-MB1-770	H 2	90064-ME5-000	E 11	90170-MB0-000	I 13		F 8
		836A1-ME5-000ZB	J 8	87517-MB1-790	H 3	90065-ME5-000	K 4	90180-MA3-006	I 4		G 14
		836A1-ME5-610ZA	J 8	87560-MB0-670ZA	J 3	90085-ME5-000	D 15	90180-MA3-660	I 4		G 16
		836A1-ME5-610ZB	J 8	87560-181-760	J 3	90088-ME5-000	C 9	90183-438-000	K 4	90551-MA6-000	L 14
		836A1-ME5-610ZC	J 8	87560-463-830	J 3	90088-ME5-010	C 9	90185-MC7-013	I 4	90551-MG7-000	L 14
		836A1-ME5-770ZA	J 8			90089-ME5-000	C 9	90201-MB0-770	D 4	90556-044-000	H 8
		836A1-ME5-770ZB	J 8	88000		90089-ME5-010	C 9	90201-415-000	G 14	90601-300-000	E 8
		83605-ME4-640ZA	M 2			90101-KC1-008	G 8		H 1	90605-ME5-000	D 4
		83605-ME4-640ZB	M 2	88110-MB0-003	G 10	90102-434-671	G 7	90201-700-000	K 4	90607-ME5-000	C 16
		83605-ME4-640ZC	M 2	88110-MB0-621	G 10	90103-MB0-000	K 4	90203-422-000	C 9	90651-MA5-671	G 14
		83605-ME5-610ZA	M 2	88110-MB0-651	G 10	90104-MJ1-000	H 3	90241-MB0-000	E 15	90651-377-003	G 16
		83605-ME5-610ZB	M 2	88120-MB0-003	G 10	90105-MA6-000	H 3	90242-MB0-000	E 15	90702-MB0-000	C 14
		83605-ME5-610ZC	M 2	88120-MB0-621	G 10	90105-ME2-000	I 6	90243-ME5-000	E 16		D 10
		83605-ME5-670	M 3	88120-MB0-651	G 10	90105-MJ1-000	I 4	90244-ME5-000	E 16		
		83605-ME5-770	M 3			90106-MB3-000	K 4	90302-ME5-000	K 13	91000	
		83605-ME5-780	M 3	89000		90108-MB0-000	K 10	90304-425-000	H 3		
		83612-ME5-610ZA	M 3			90108-MJ1-000	K 10	90304-438-000	K 2	91002-300-004	E 8
		83612-ME5-610ZB	M 3	89010-ME5-000	L 15	90109-ME5-770	I 13	90305-ME5-003	I 13	91002-300-008	E 8
		83612-ME5-610ZC	M 3	89010-ME5-670	L 15	90110-ME5-000	L 13	90308-ME5-000	K 13	91008-374-003	E 11
		83613-ME5-610ZA	M 3	89101-ME5-000	L 15	90111-ME5-000	G 13	90353-ME5-000	K 8	91012-MB0-003	E 16
		83613-ME5-610ZB	M 3	89101-ME5-670	L 15	90114-MA5-671	G 16	90354-ME5-000	K 13	91014-ME5-008	E 16
		83613-ME5-610ZC	M 3	89102-469-003	L 15		H 11	90380-MB1-000	L 6	91022-ME5-008	E 8
		83642-355-000	J 11	89102-538-000	L 15	90116-ME1-671	H 15	90381-MB0-010	I 13	91024-ME5-008	D 4
		837A0-ME5-780ZA	J 12	89103-371-000	L 15	90116-MJ0-003	J 3	90401-MA1-000	K 2	91051-MB0-005	I 13
		837A0-ME5-780ZB	J 12	89103-538-000	L 15	90116-125-782	H 16	90401-706-000	L 14	91052-MB0-003	I 13
		837A0-ME5-780ZC	J 12	89216-ME5-000	L 15	90116-283-010	H 16	90425-300-000	E 11	91052-MB0-005	I 13
		837A1-ME5-000ZA	J 11	89221-371-000	L 15	90116-383-721	H 16	90432-MB0-000	D 4	91061-MB0-000	I 13
		837A1-ME5-000ZB	J 11	89230-MB1-000	L 15	90117-MB0-000	G 13	90433-ME5-000	E 7	91061-MB0-005	I 14
		837A1-ME5-610ZA	J 11	89301-461-003	L 15		H 11	90435-422-000	D 9	91062-MB0-003	I 14
		837A1-ME5-610ZB	J 11			90118-MC7-003	K 1	90436-ME5-000	C 9	91062-MB0-005	I 14
		837A1-ME5-610ZC	J 11	90000		90118-471-000	K 10	90439-463-000	K 16	91062-MB0-013	I 14
		837A1-ME5-770ZA	J 11			90119-671-000	L 13		L 1	91066-415-003	K 13
		837A1-ME5-770ZB	J 11	90001-ME5-000	D 14	90120-ME5-000	K 13	90441-469-000	C 9	91066-415-004	K 13
		83705-ME5-610ZA	M 3	90003-ME5-000	C 2	90121-ME5-000	K 13	90441-706-000	D 12	91066-415-005	K 14
		83705-ME5-610ZB	M 3	90004-ME5-000	D 14	90122-ME5-000	L 13		D 15	91066-415-006	K 14
		83705-ME5-610ZC	M 4	90005-ME5-000	C 8	90123-ME5-000	L 14		F 9	91101-377-000	D 9
				90006-ME5-000	D 1	90123-MJ1-000	L 14		D 15	91106-ME5-008	D 9
		84000		90008-ME5-000	D 1	90124-ME5-000	K 13	90442-ME5-000	C 10	91108-634-961	D 9
				90009-ME5-000	D 6	90125-ME5-000	I 13	90444-ME5-000	E 11	91201-323-005	E 5
		84100-ME5-000	L 2	90009-ME5-000	∩ 16	90126-ME5-000	L 14	90451-115-000	E 8	91204-MB0-000	D 2
		84100-ME5-610	L 2	90011-ME5-000	D 2	90127-393-000	K 13	90451-371-000	E 8	91205-ME5-003	E 16
		84150-ME5-000	L 2	90012-ME5-000	C 3	90130-MC7-000	I 8	90451-413-000	C 10	91205-ME5-005	E 16
		84150-ME5-610	L 2	90013-ME5-000	C 3	90131-MB2-000	I 4	90452-323-000	E 8	91206-MA6-003	E 11
		84155-ME5-000	L 3	90014-ME5-000	D 10	90133-MB0-000	I 13	90454-428-000	E 8	91206-MA6-005	E 11
		84156-ME5-000	L 3	90014-ME5-670	G 7	90133-286-000	K 13	90461-286-000	E 8	91207-ME5-003	D 7
		84157-ME5-000	L 3	90017-MA6-000	C 8	90134-371-000	I 13	90462-323-000	E 8	91207-ME5-003	D 7
		84200-ME5-000	L 3	90017-MA6-000	C 8	90142-ME5-000	K 7	90468-ME5-000	E 8	91208-ME5-005	E 11
		84200-ME5-610	L 3	90018-MA6-000	C 9	90143-ME5-000	K 7	90469-ME5-000	E 8	91209-MB0-003	D 3
		84700-ME5-000	L 9	90019-ME5-000	D 14	90143-ME5-010	K 7	90471-580-000	I 13	91252-MC7-003	I 6
		84700-ME5-610	L 9	90020-ME5-000	D 14	90145-KE8-000	G 13	90475-703-000	C 10	91254-463-003	H 12
		84701-ME5-670	L 9	90021-ME5-000	D 14		G 16		E 16		H 16
		84905-ME5-000	L 3	90023-ME5-000	D 6	90145-MJ0-010	G 13		F 8	91258-410-013	I 6
				90027-ME5-000	C 16	90145-MG5-670	G 13		F 9	91261-MB0-000	I 14
		87000		90031-ME4-003	D 14	90145-961-010	G 13	90481-259-000	D 4	91261-MB0-003	I 14
				90031-ME5-003	D 15		G 16	90487-MB0-000	D 10	91261-MB0-005	I 14
				90031-ME5-013	D 15	90150-ME5-000	G 3		E 11	91265-MB0-000	I 14
		87504-463-670	K 12	90032-ME4-003	D 15	90150-ME5-670	G 7	90501-MB3-000	G 3	91265-MB0-003	I 14
		87504-463-720	K 12	90032-ME5-003	D 15	90150-MJ0-003	H 16	90502-461-000	J 3	91266-ME5-003	K 14
		87505-ME5-610	K 12	90032-ME5-013	D 15	90151-MB1-000	H 3	90503-425-000	H 3	91266-ME5-004	K 14
		87505-ME5-620	K 13	90035-ME5-000	C 9	90151-ME5-670	G 7	90504-MA6-000	K 2	91271-MB0-000	K 14
		87505-ME5-670	K 13	90041-ME5-000	D 15	90152-MB0-000	H 6	90505-425-000	K 13	91271-MB0-003	K 14
		87505-ME5-720	K 13	90042-ME5-000	D 15	90152-ME5-000	H 11	90512-422-000	L 14	91271-MB0-004	K 14
		87506-ME5-620	J 15	90043-ME5-000	D 15		H 16	90521-292-000	K 16	91301-MJ0-003	H 16
		87506-ME5-670	J 15	90044-ME5-000	D 15	90153-MB0-000	H 11		L 1	91301-027-000	G 7
		87511-323-670	J 5	90045-ME5-000	E 15		H 16	90522-MF5-000	J 15	91301-200-000	C 10
		87511-415-620	J 5	90046-ME5-000	E 15	90154-MB1-000	H 3	90543-273-000	H 12	91301-300-000	D 9



Part No.	Address No.												
N° de pièce	N° de Adresse												
Teile-Nr.	Adresse-Nr.												
No. de pieza	No. de direccion												
91301-300-000	F 9	92000-06012	F 10	94000	95015-32001	K 5	96211-05000	I 1					
91302-MA3-661	H 12	92000-06016-0A	H 12		95015-42000	K 5	96211-08000	H 6					
91302-MC7-611	I 4	92000-06025-4J	L 11	94001-05000-0S	G 8	95015-52000	K 5	96220-40130	E 12				
91302-001-020	I 14	92000-06050-4J	H 3	94001-08000-0S	K 14	95015-83000	K 8	96220-40148	E 12				
91302-377-000	D 3	92025-06025-0B	H 12	94001-10000-0S	K 16	95700-06010-00	J 15	96600-06016-17	H 15				
	D 12	92030-05030-0H	H 16	94001-12000-0S	L 1	95700-06010-07	L 3						
	F 9	92300-05012-0A	G 7	94002-06000-0S	L 7		I 4	98000					
91302-657-000	D 7	92300-06012-0A		94002-06020-0S	D 9	95700-06012-00	J 9						
	F 9	92300-06014-0A		94002-06220-0S	J 9	95700-06012-00	J 12	98069-57916	C 10				
91303-428-003	D 10	92800-12000		94021-10020-0S	K 4		J 15	98069-57926	C 11				
	F 9	92900-06028-0B			K 4		L 14	98069-58916	C 11				
91304-ME5-003	D 15		H 12	94002-06220-0S	K 16	95700-06012-07	L 9	98069-58926	C 11				
	E 16	93000	H 16	94021-10020-0S	L 1	95700-06012-08	D 16	98069-59916	C 11				
	F 9		I 15		K 8	95700-06014-00	H 6	98069-59926	C 11				
91304-MJ0-003	H 16	93200-10035-0B	K 8	94031-10000	L 11	95700-06014-07	H 8	98200-53000	J 9				
91305-MC7-000	J 3		K 4	94050-06000	H 1	95700-06014-08	C 16						
91305-MC7-0J3	H 12	93495-06016-07	K 4		J 9		D 11	99000					
91305-MJC-003	H 16	93500-04006-0H	K 4	94050-08000	L 3	95700-06016-00	L 11	99001-10120	L 16				
91306-MC7-003	H 12	93500-04008-0A	G 4	94050-10000	L 9	95700-06016-08	E 12	99001-14170	L 16				
91306-ME5-003	C 10	93500-04008-1A	J 8	94050-12000	J 3	95700-06018-00	H 8	99002-13500	L 16				
	F 8	93500-04010-0A	J 9	94050-12000	J 5	95700-06018-00	K 5	99006-12000	L 16				
91307-425-003	E 11	93500-04014-0A	D 13	94050-08000	J 9	95700-06018-08	D 5	99006-24000	L 16				
	F 9	93500-05008-0A	D 16	94050-10000	H 3	95700-06020-00	C 14	99101-393-1100	F 6				
91307-639-000	C 12	93500-05010-0A		94050-12000	L 14	95700-06020-00	K 2	99101-393-1150	F 7				
	F 3	93500-05010-1A		94101-06000	L 7		L 3	99103-MA4-0350	F 7				
91308-MA6-005	D 11		K 16	94101-06800	K 8		L 11						
	F 10	93500-05020-0G	L 1	94101-06800	L 11	95700-06020-07	G 14						
91308-MC7-003	I 4	93500-05025-0G	L 1	94101-08000	I 15	95700-06020-07	K 10						
91308-MJ0-003	H 16	93500-06012-0A	H 6	94101-08000	K 14	95700-06025-07	D 13						
91309-425-003	D 9	93500-06014-0A	J 9	94102-08000	K 8	95700-06028-07	D 11						
91311-ME5-005	D 16	93600-04012-1G	F 6	94102-10000	I 4	95700-06032-00	E 16						
	F 10		F 6	94103-08000	K 2	95700-06032-07	C 12						
91312-ME5-003	D 16	93700-05020-0G	F 6	94109-12000	D 13	95700-06035-07	D 9						
	F 10	93891-05012-07	C 10		F 10	95700-06040-00	J 12						
91314-ME5-003	C 2	93891-05030-07	F 4	94111-04800	J 9	95700-06045-07	D 16						
	F 10	93891-05035-07	H 12	94111-05000	D 9		J 12						
91316-425-003	C 2	93891-06014-00	H 16	94111-06800	J 9	95700-06060-07	D 15						
	D 12	93891-06018-07	C 10	94111-10000	K 14	95700-06110-07	D 16						
	F 10	93892-04008-00	J 15	94201-16100	K 8	95700-08016-00	J 5						
91318-ME5-003	C 10	93892-04008-08	F 4	94201-16120	K 4	95700-08016-07	L 14						
	F 8	93892-04012-00	E 11	94201-16150	K 8	95700-08020-00	L 3						
91319-ME5-003	C 10	93892-04012-08	G 14	94201-20180	K 14	95700-08020-07	I 4						
	F 8	93892-05020-07	G 16	94201-25200	I 7		L 14						
	I 14	93892-05028-07	G 7	94301-08140	C 10	95700-08025-00	I 7						
91355-MB0-003	I 14	93892-05032-07	L 9		E 11		J 3						
91355-MB0-005	I 14	93892-05032-07	G 10	94301-12200	C 10	95700-08025-07	L 14						
91356-MA3-661	H 12	93892-05045-07	G 11	94302-10160	C 12	95700-08028-07	G 4						
	H 16	93893-04012-17	J 15	94305-40122	C 16	95700-08032-00	K 14						
91356-MA6-003	D 16	93893-04012-18	H 6	94305-40122	E 16	95700-08045-00	K 2						
91356-MA6-005	D 16	93893-05012-07	J 3	94305-40122	C 12	95700-10025-08	E 5						
	F 10	93893-06010-00	J 3	94305-40122	D 16	95800-06032-08	E 12						
	I 14	93901-14210	F 4	94305-40122	D 9	95815-10028-08	K 10						
91356-MB0-000	I 14	93901-24310	G 7	94401-13000	E 12	95821-08040-00	K 1						
91356-MB0-005	I 14	93901-24310	G 11	94591-44000	G 4								
91358-MB0-000	I 9	93901-34320	G 11	94601-13000	E 16	96000							
91359-MB0-000	I 15	93901-34610	G 11	94601-15000	E 5								
91361-ME5-003	K 14	93903-24480	G 11			96000-06014-00	D 3						
91361-ME5-004	K 14	93903-35280	G 16			96000-06016-00	D 7						
91362-461-000	E 16		G 14			96000-06028-00	E 12						
			J 15	95002-02120	J 3	96000-06035-00	E 12						
			K 2		J 15	96100-62010-00	D 5						
			G 4	95002-80000	J 15	96100-62040-00	D 7						
			G 7	95003-19025-31	F 4		D 16						
			L 6	95003-23025-31	J 15	96100-63020-00	E 16						
			L 7	95003-39002-10	L 16	96120-62030-00	D 7						
			G 8	95005-80100-20	J 15	96140-63020-10	I 6						
			L 9	95014-62100	G 11	96140-63030-10	I 9						
				95015-25200	E 8	96211-05000	H 12						

BLOCK INDEX - ENGINE GROUP



E- 1	Oil cooler	C 2
E- 2	Cylinder head cover	C 3
E- 3	Cylinder head	C 4
E- 4	Cylinder	C 12
E- 5	Camshaft • Valve	C 13
E- 6	Cam chain • Tensioner	C 15

E- 7	Right crankcase cover	D 1
E- 8	Clutch slave cylinder	D 2
E- 9	Clutch	D 4
E-10	Generator	D 6
E-11	Starting motor	D 8
E-12	Oil pump	D 10
E-13	Oil pan • Oil filter	D 12
E-14	Crankcase	D 14

E-15	Crankshaft • Piston	E 1
E-16	Transmission	E 6
E-17	Shift drum • Shift fork	E 9
E-18	Cross shaft	E 13
E-19	Carburetor (Assy.)	F 1
E-19-1	Carburetr (Component parts)	F 5

Optional parts

EOP-1	Gasket kit A	F 8
EOP-2	Gasket kit B	F 9

C 2

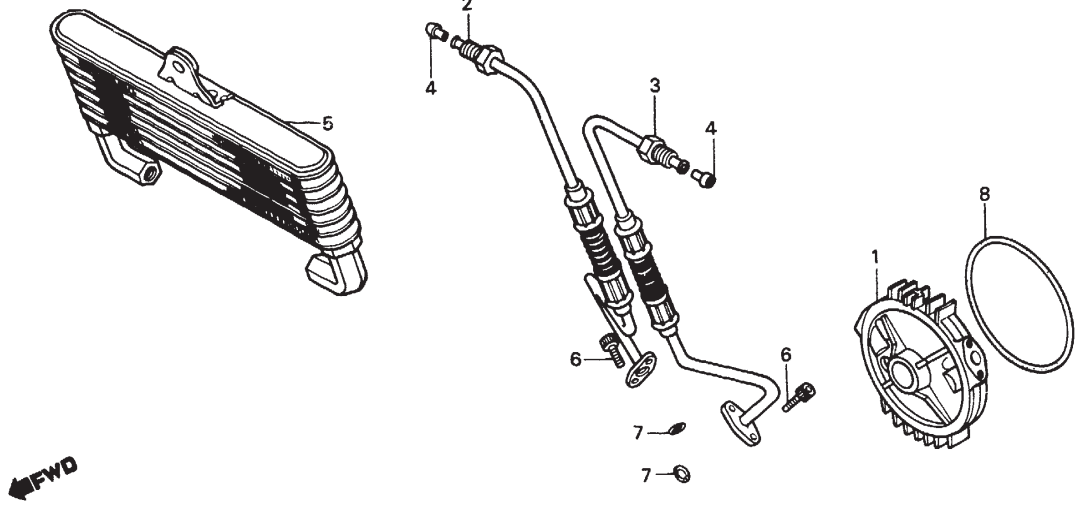
E-1

Oil cooler

Radiateur d'huile

Oelkuehler

Enfriador aceite



BME5-1

Service item	F.R.T.	Ref. No.	Part No.	Description	Reqd. No.						Serial No.	Area code
					CBX 600ED	CBX 650ED	D	E	F	CR650SC		
CASE, OIL DISTRIBUTING	0.3	1	15431-ME5-000	CASE, OIL DISTRIBUTING	1	1	1	1	1			
PIPE COMP., R. OIL	0.4	2	15510-ME5-000	PIPE COMP., R. OIL	1	1	1	1	1			
(ONE OR ALL)		3	15515-ME5-000	PIPE COMP., L. OIL	1	1	1	1	1			
COOLER COMP., OIL	0.2	4	15517-MA6-000	SEAT, OIL HOSE JOINT			2	2			2000213	
• O-RING, 10X2.6			15517-MA6-010	SEAT, OIL HOSE JOINT	2			2	2		2000214	
• O-RING, 89X4.5			15600-ME5-670	COOLER COMP., OIL	1	1	1	1				
			15600-ME5-770	COOLER COMP., OIL					1		IT CM	
		6	90003-ME5-000	BOLT, SOCKET, 6X18	4	4	4	4	4			
		7	91314-ME5-003	O-RING, 10X2.6	2	2	2	2	2			
		8	91316-425-003	O-RING, 89X4.5	2	2	2	2	2			

C 3

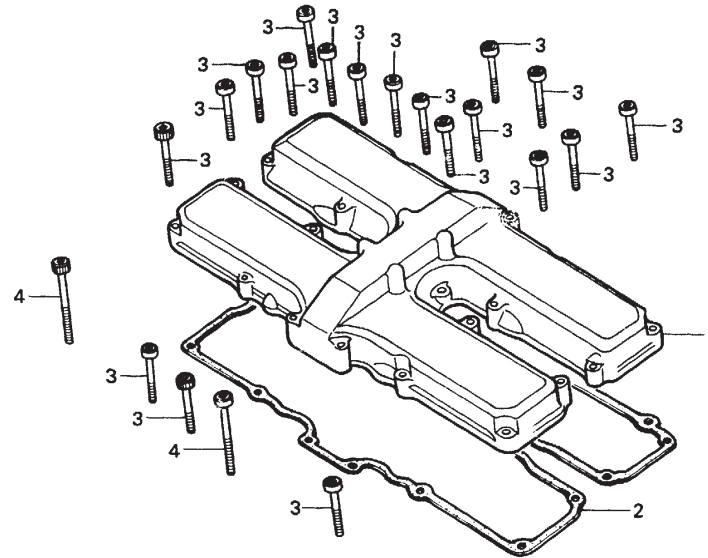
E-2

Cylinder head cover

Couvercle de culasse

Zylinderkopfdeckel

Cubierta de culata



BME5-2

Service item	F.R.T.	Ref. No.	Part No.	Description	Reqd. No.						Serial No.	Area code
					CBX 600Ed	CBX 650Ed	D	E	F	CB650SC		
COVER, CYLINDER HEAD	0.9	1	12310-ME5-000	COVER, CYLINDER HEAD	1	1	1	1	1			
GASKET, CYLINDER HEAD COVER	0.8	2	12391-ME5-000	GASKET, CYLINDER HEAD COVER	1	1	1	1	1			
		3	90012-ME5-000	BOLT, FLANGE SOCKET, 6X32	20	20	20	20	20			
		4	90013-ME5-000	BOLT, FLANGE SOCKET, 6X42	2	2	2	2	2			

C 4

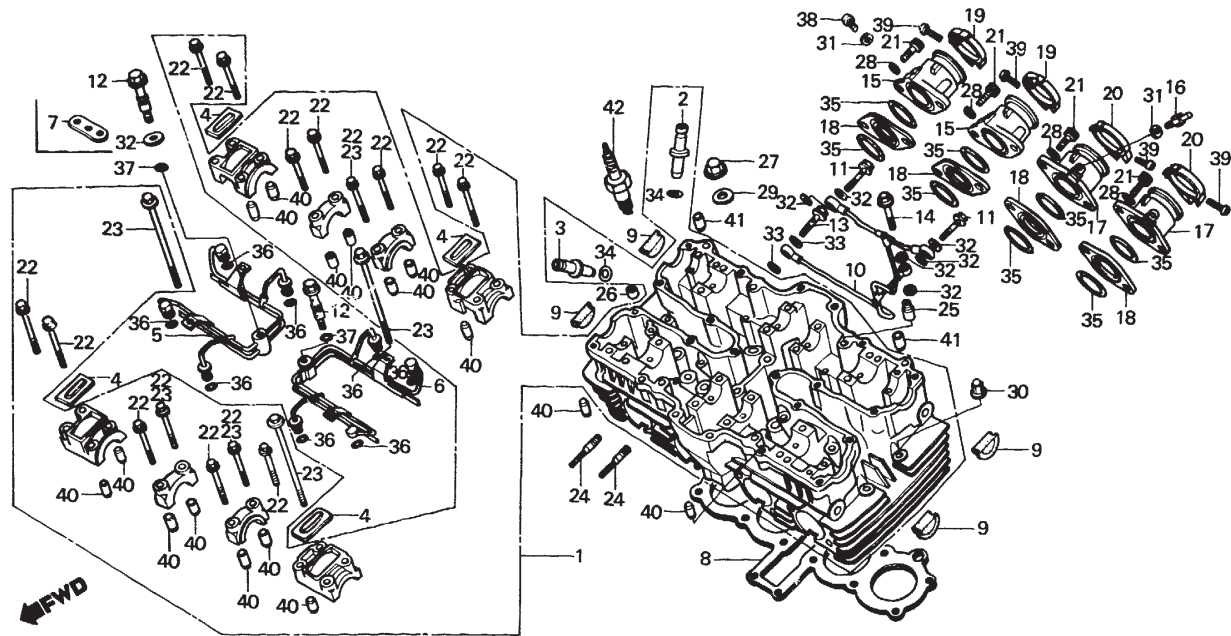
E-3

Cylinder head

Culasse

Zylinderkopf

Culata



BME5-3D

Service item	F.R.T.	Ref. No.	Part No.	Description	Reqd. No.						Serial No.	Area code
					CBX 600Ed	CBX 650Ed	CB650SC D	E	F			
HEAD ASSY., CYLINDER	6.1	1	12010-ME5-000	HEAD ASSY., CYLINDER	1						4000208	
GUIDE, VALVE (INC. REAMING)	3.2					1	1				2014959	CM,ED,F,U,1G
(ADD 0.2 FOR EACH.)											3000690	2G
(EXC. VALVE REFACING)			12010-ME5-010	HEAD ASSY., CYLINDER	1					4000209		
(ADD MORE 0.2 IF PERFORMED)										2014960		CM,ED,F,U,1G
PLATE, OIL CHAMBER (ONE OR ALL)	0.8								1	3000691	2101193	2G
PIPE COMP., OIL (ONE OR ALL)	1.0	*	12010-ME5-020	HEAD ASSY., CYLINDER					1		2101194	IT
GASKET, CYLINDER HEAD	3.0	2	12205-ME5-305	GUIDE, VALVE	16	16	16		1			CM
PIPE COMP., OIL FEED	0.6			12205-ME5-315				16			2101193	
INSULATOR, CARBURETOR (ADD 0.1 FOR EACH.)	0.5	*	12205-ME5-315	GUIDE, IN. VALVE	8	8	8		8		2101194	
(WHEN SERVICING COMP., UNIT, F.R.T. IS 0.7.)									8		2101194	
		*	3	12206-ME5-305	GUIDE, EX. VALVE	8	8	8	8			
			4	12221-ME5-005	PLATE, OIL CHAMBER				4		2013052	
				12221-ME5-015								

C 5

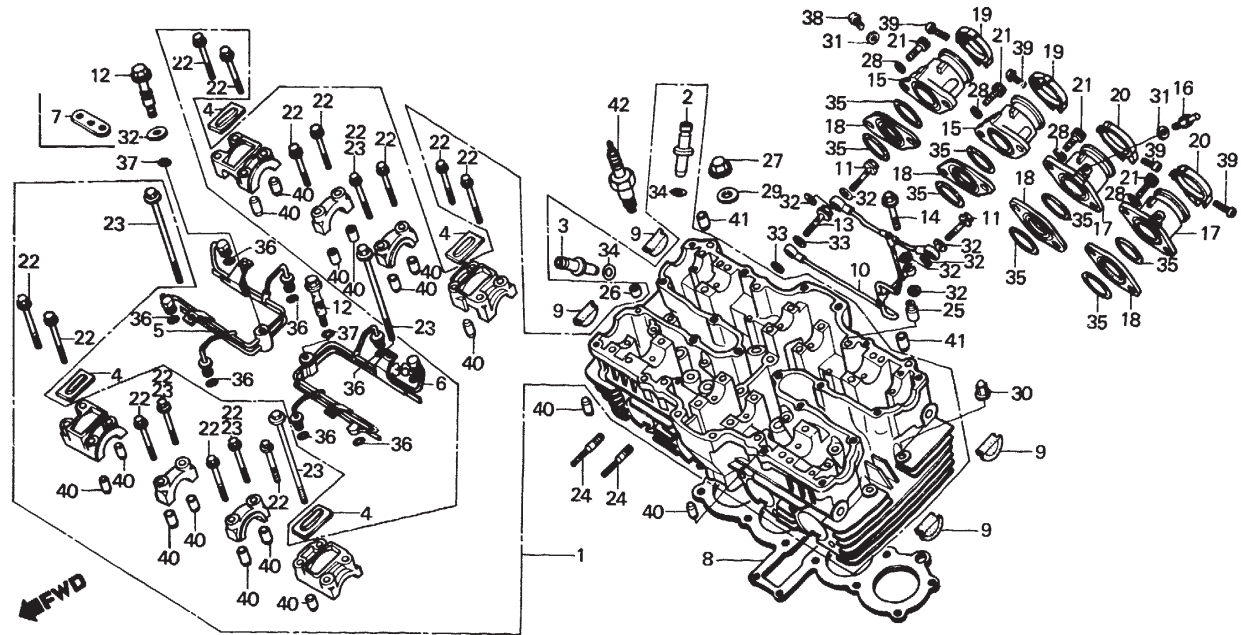
E-3

Cylinder head

Culasse

Zylinderkopf

Culata



BME5-3D

Service item	F.R.T.	Ref. No.	Part No.	Description	Reqd. No.			Serial No.	Area code
					CBX 600Ed	CBX 650Ed	CB650SC D E F		
			12221-ME5-015	PLATE, OIL CHAMBER	4				
					4			2023220	ED,F,U,1G
					4			3000690	2G
			12221-ME5-025	PLATE, OIL CHAMBER		4	4	2013053	
					4			2023221	ED,F,U,1G
					4			3000691	2G
							4	2106356	
		5	12230-ME5-000	PIPE COMP., R. OIL		1		2013052	
			12230-ME5-010	PIPE COMP., R. OIL	1			2011985	
			12230-ME5-020	PIPE COMP., R. OIL					
					1		1	2011986	
					1			2013053	
		6	12240-ME5-000	PIPE COMP., L. OIL		1		2013052	
			12240-ME5-010	PIPE COMP., L. OIL					
			12240-ME5-020	PIPE COMP., L. OIL	1			2011985	

C 6

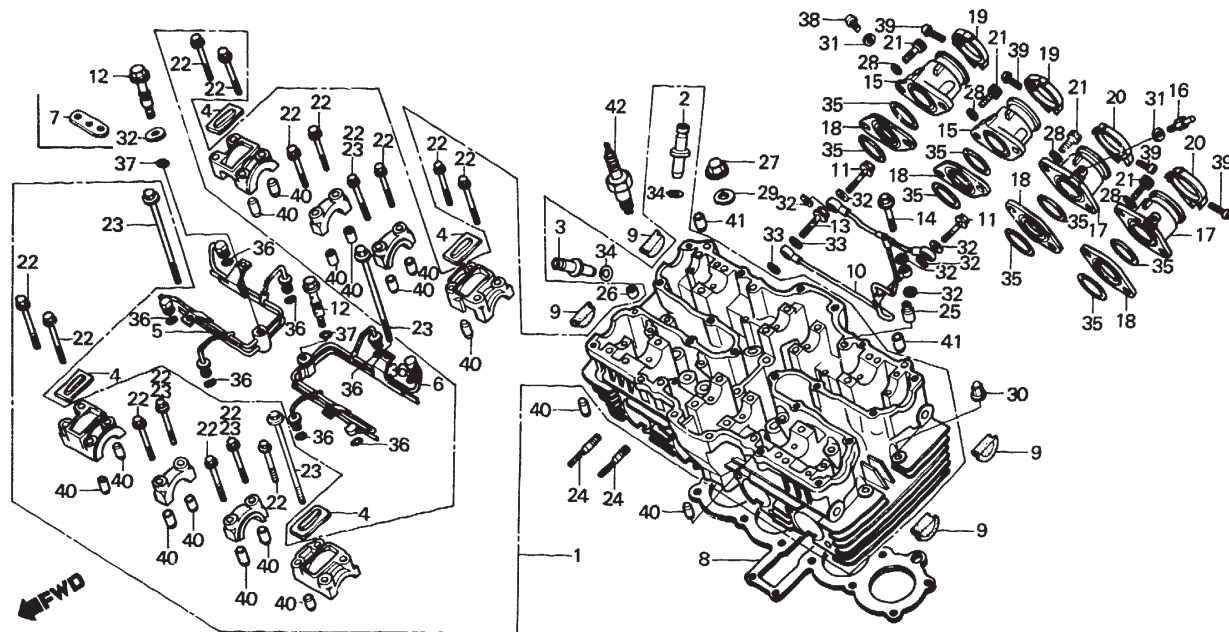
E-3

Cylinder head

Culasse

Zylinderkopf

Culata



BME5-3D

Service item	F.R.T.	Ref. No.	Part No.	Description	Reqd. No.			Serial No.	Area code
					CBX 600Ed	CBX 650Ed	CB650SC D E F		
			12240-ME5-020	PIPE COMP., L. OIL	1		1 1		
		7	12245-ME5-000	SPACER, OIL PIPE			1	2011986	
		8	12251-ME5-003	GASKET, CYLINDER HEAD			1	2013053	
			12251-ME5-005	GASKET, CYLINDER HEAD	1	1	1 1 1		2013052
		9	12331-ME5-000	CAP, CYLINDER HEAD SIDE	1	1	1 1 1		
		10	15520-ME4-010	PIPE COMP., OIL FEED	4	4	4 4 4		
			15520-ME5-000	PIPE COMP., OIL FEED	1				
			15520-ME5-010	PIPE COMP., OIL FEED			1	2013052	
			15520-ME5-010	PIPE COMP., OIL FEED			1	2013053	
		11	15532-ME5-005	BOLT B, OIL CONTROL, 8X28			2		2013052
			15532-ME5-015	BOLT B, OIL CONTROL, 8X28					
			15532-ME5-015	BOLT B, OIL CONTROL, 8X28	2	2	2 2		
							2	2013053	

C 7

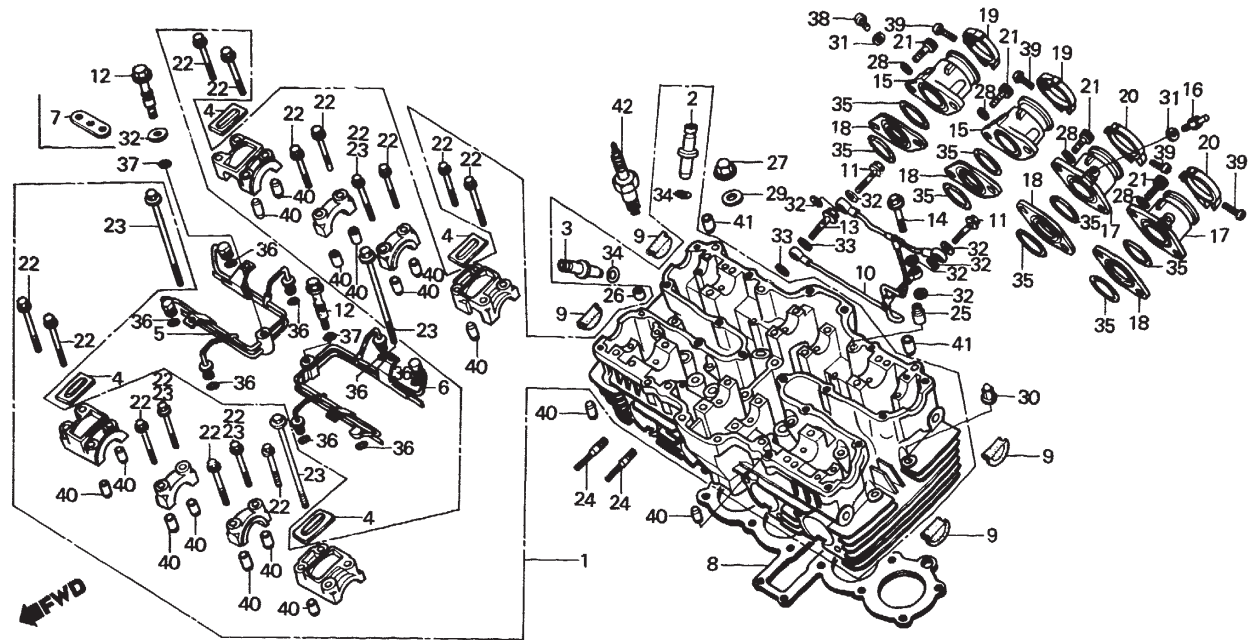
E-3

Cylinder head

Culasse

Zylinderkopf

Culata



BME5-3D

Service item	F.R.T.	Ref. No.	Part No.	Description	Reqd. No.				Serial No.	Area code
					CBX 600Ed	CBX 650Ed	D	CB660SC E F		
		12	15535-ME5-000	BOLT D, OIL CONTROL, 6X38				2	2013052	
			15535-ME5-010	BOLT D, OIL CONTROL, 6X38	2	2		2 2	2013053	
		13	15545-ME5-005	BOLT C, OIL CONTROL, 10X30				2	2013052	
			15545-ME5-015	BOLT C, OIL CONTROL, 10X30	1	1		1 1	2013053	
		14	15565-ME5-000	BOLT A, OIL CONTROL, 8X28				1	2013052	
			15565-ME5-010	BOLT A, OIL CONTROL, 8X28	1	1		1 1	2013053	
		15	16213-ME4-000	INSULATOR, R. CARBURETOR				1		
			16213-ME5-000	INSULATOR, R. CARBURETOR	2			2 2 2 2		
		16	16214-MB0-000	JOINT, BOOST	1	1		1 1 1		
		17	16214-ME4-000	INSULATOR, L. CARBURETOR	2			2 2 2 2		
			16214-ME5-000	INSULATOR, L. CARBURETOR						

C 8

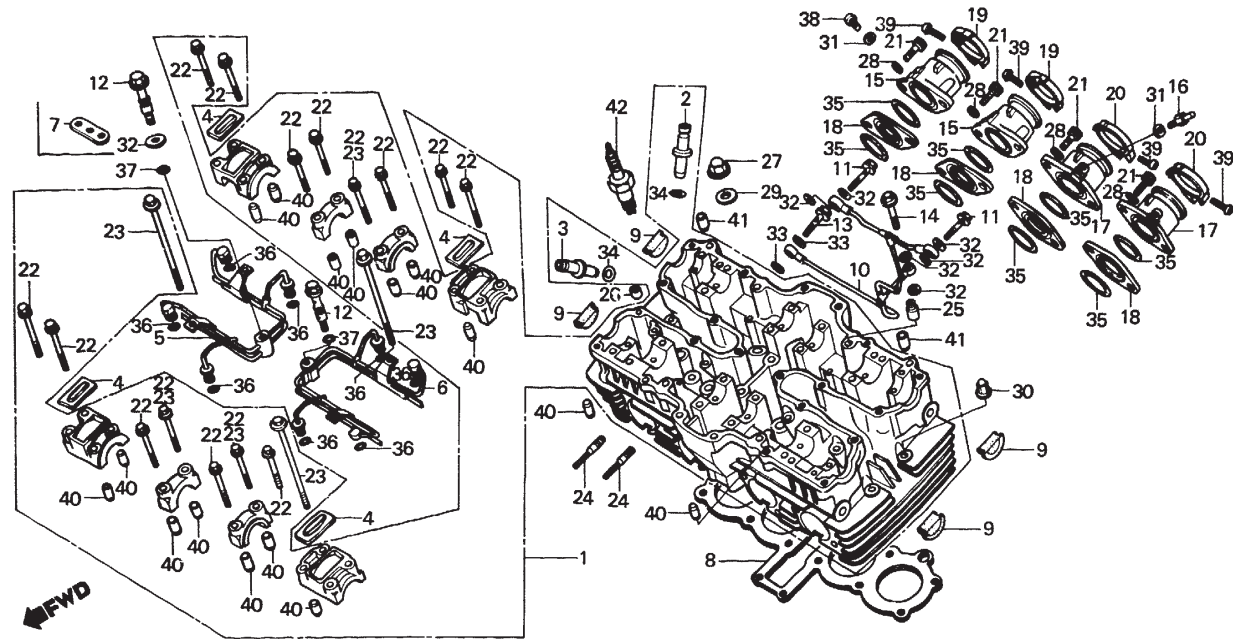
E-3

Cylinder head

Culasse

Zylinderkopf

Culata



BME5-3D

Service item	F.R.T.	Ref. No.	Part No.	Description	Reqd. No.						Serial No.	Area code
					CBX 600Ed	CBX 650Ed	CB650SC D	E	F			
		18	16215-ME5-000	PLATE, CARBURETOR INSULATOR	4	4	4	4	4			
		19	16223-MA7-000	BAND, R. CARBURETOR INSULATOR	2							
			16223-ME5-000	BAND, R. INSULATOR		2	2	2	2			
		20	16224-MA7-000	BAND, L. CARBURETOR INSULATOR	2							
			16224-ME5-000	BAND, L. INSULATOR		2	2	2	2			
		21	90005-ME5-000	BOLT, SOCKET, 6X22	8	8	8	8	8			
		22	90017-MA6-000	BOLT, FLANGE, 6X45.5	16						4000208	
						16	16				2014959	
						16					3000690	
						12					4000209	
						12	12				2014960	
						12					3000691	
								12	12			

C 9

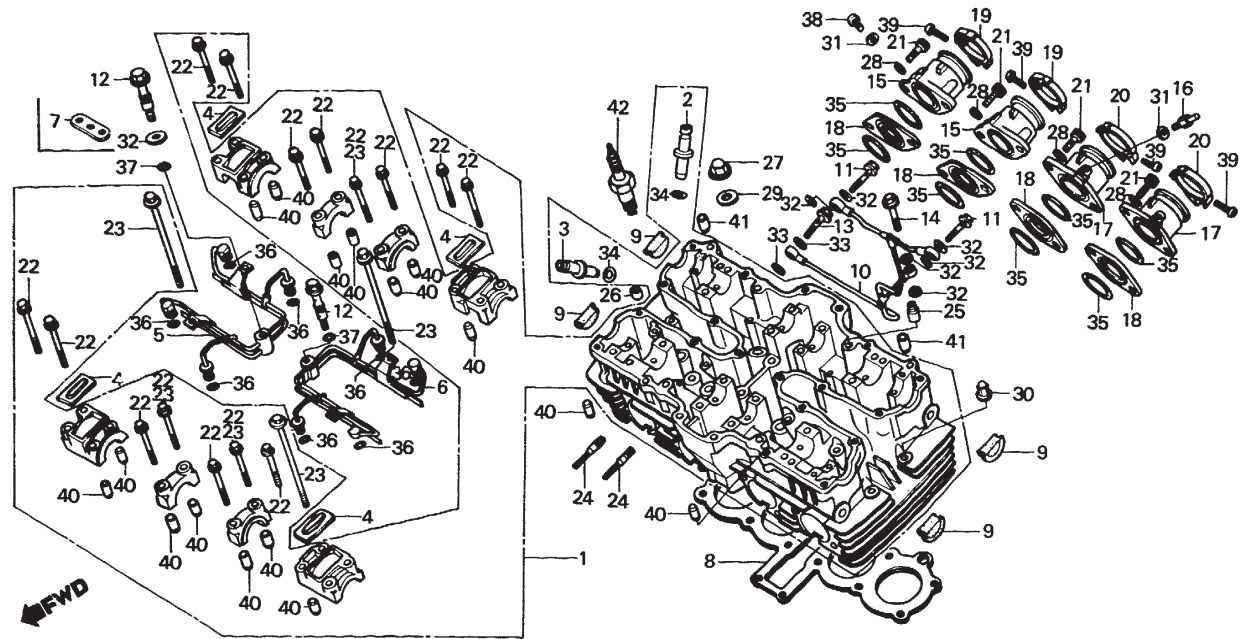
E-3

Cylinder head

Culasse

Zylinderkopf

Culata



BME5-3D

Service item	F.R.T.	Ref. No.	Part No.	Description	Reqd. No.						Serial No.	Area code				
					CBX 600Ed	CBX 650Ed	D	E	F	CB650SC						
		23	90018-MA6-000	BOLT, FLANGE, 6X77	4						4000208	CM,ED,F,U,1G 2G				
					4	4					2014959					
					4						3000690					
							8						4000209	CM,ED,F,U,1G 2G		
							8	8					2014960			
							8						3000691			
							24	90035-ME5-000	BOLT, STUD, 8-6X52	8	8	8	8	8		
							25	90088-ME5-000	ORIFICE, OIL CONTROL					2		2013052
								90088-ME5-010	ORIFICE, OIL CONTROL					2	2	
								90088-ME5-010	ORIFICE, OIL CONTROL					2	2	2013053
							26	90089-ME5-000	ORIFICE, OIL CONTROL, 9MM					2		2013052
								90089-ME5-010	ORIFICE, OIL CONTROL, 9MM					2	2	
								90089-ME5-010	ORIFICE, OIL CONTROL, 9MM					2	2	2013053
							27	90203-422-000	NUT, FLANGE CAP, 8MM	8	8	8	8	8		
							28	90436-ME5-000	WASHER, 6MM	8	8	8	8	8		
		29	90441-469-000	WASHER, SEALING, 8MM	8	8	8	8	8							

C 10

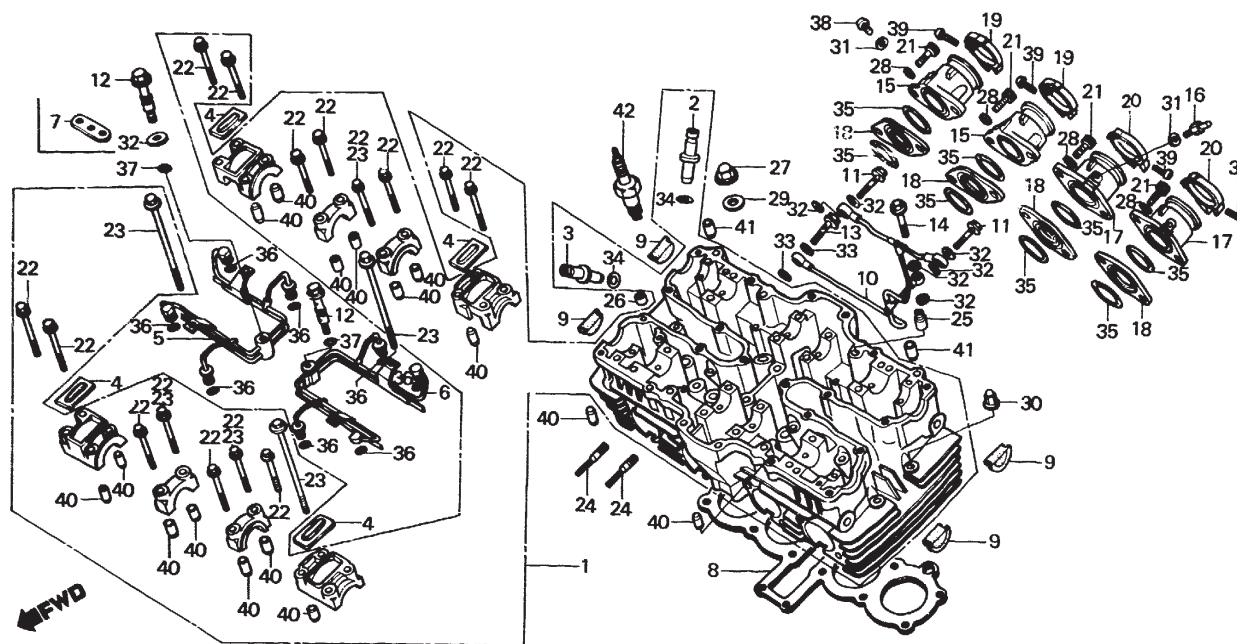
E-3

Cylinder head

Culasse

Zylinderkopf

Culata



BME5-3D

Service item	F.R.T.	Ref. No.	Part No.	Description	Reqd. No.						Serial No.	Area code
					CBX 600Ed	CBX 650Ed	D	CB650SC E	F			
		30	90444-ME5-000	NUT, SPECIAL, 8MM	4	4	4	4	4			
		31	90452-323-000	WASHER, THRUST, 5MM	4	4	4	4	4			
		32	90475-703-000	WASHER (C), 8MM			6			2013052		
		33	90545-300-000	WASHER, OIL BOLT			8		8	2013053		
		34	91301-200-000	O-RING, 10X1.6	16	16	16	16	16			
		35	91306-ME5-003	O-RING, 33.7X2.6 (NIPPON)	8	8	8	8	8			
		36	91318-ME5-003	O-RING, 5.6X1.9 (ARAI)	8	8	8	8	8			
		37	91319-ME5-003	O-RING, 5.6X1.5	2	2	2	2	2			
		38	93500-05008-0A	SCREW, PAN, 5X8	3	3	3	3	3			
		39	93500-05020-0G	SCREW, PAN, 5X20	4	4	4	4	4			
		40	94301-08140	PIN, DOWEL, 8X14	18	18	18	18	18			
		41	94301-10160	PIN, DOWEL, 10X16	2	2	2	2	2			
		42	98069-57916	PLUG, SPARK (DPR7EA-9 NGK)	(4)	(4)	(4)	(4)	(4)			

C 11

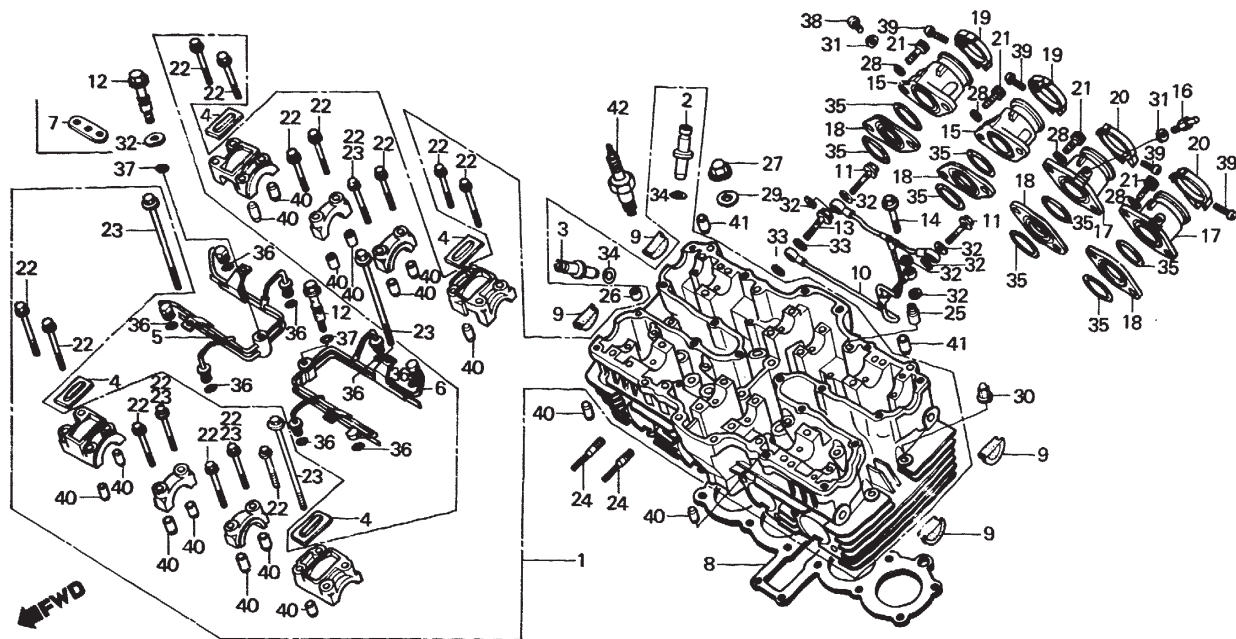
E-3

Cylinder head

Culasse

Zylinderkopf

Culata



BME5-3D

Service item	F.R.T.	Ref. No.	Part No.	Description	Reqd. No.						Serial No.	Area code
					CBX 600Ed	CBX 550Ed	D	E	F	CB850SC		
			98069-57926	PLUG, SPARK (X22EPR-U9 ND)	(4)	(4)	(4)	(4)	(4)			
			98069-58916	PLUG, SPARK (DPR8EA-9 NGK)	(4)	(4)	4	4				CM,ED,F,SD,1G,2G IT,U
			98069-58926	PLUG, SPARK (X24EPR-U9 ND)	(4)	(4)	4	4				CM,ED,F,SD,1G,2G IT,U
			98069-59916	PLUG, SPARK (DPR9EA-9 NGK)	4	4	(4)	(4)	(4)			CM,ED,F,SD,1G,2G IT,U
			98069-59926	PLUG, SPARK (X27EPR-U9 ND)	4	4	(4)	(4)	(4)			CM,ED,F,SD,1G,2G IT,U

C 12

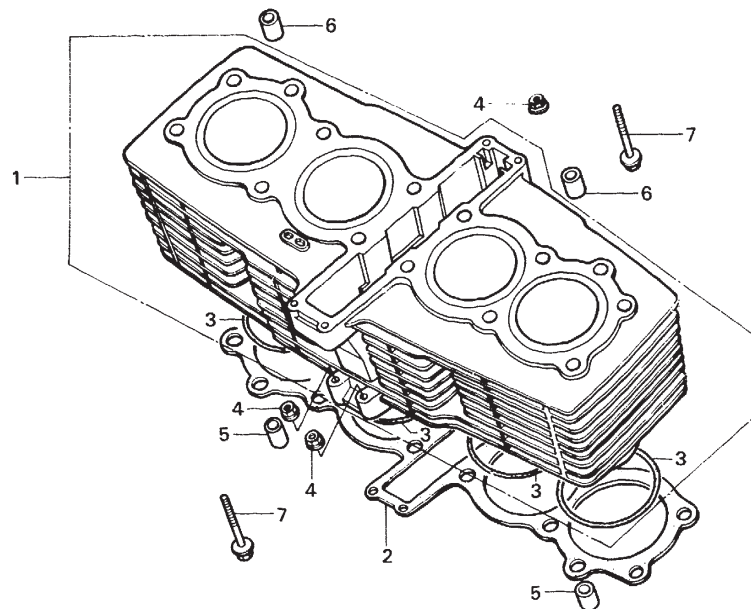
E-4

Cylinder

Cylindre

Zylinder

Cilindro



BME5-4

Service item	F.R.T.	Ref. No.	Part No.	Description	Reqd. No.						Serial No.	Area code
					CBX 600Ed	CBX 650Ed	D	E	F	CB650SC		
CYLINDER COMP.	3.6	1	12100-ME4-000	CYLINDER COMP.	1							
GASKET, CYLINDER	3.5		12100-ME5-000	CYLINDER COMP.		1	1	1	1			
		2	12191-ME5-000	GASKET, CYLINDER	1	1	1	1	1			
		3	91307-639-000	O-RING, 64X2	4	4	4	4	4			
		4	94050-06000	NUT, FLANGE, 6MM	4	4	4	4	4			
		5	94301-10160	PIN, DOWEL, 10X16	2	2	2	2	2			
		6	94301-12200	PIN, DOWEL, 12X20	2	2	2	2	2			
		7	95700-06032-07	BOLT, FLANGE, 6X32	4	4	4	4	4			

C 13

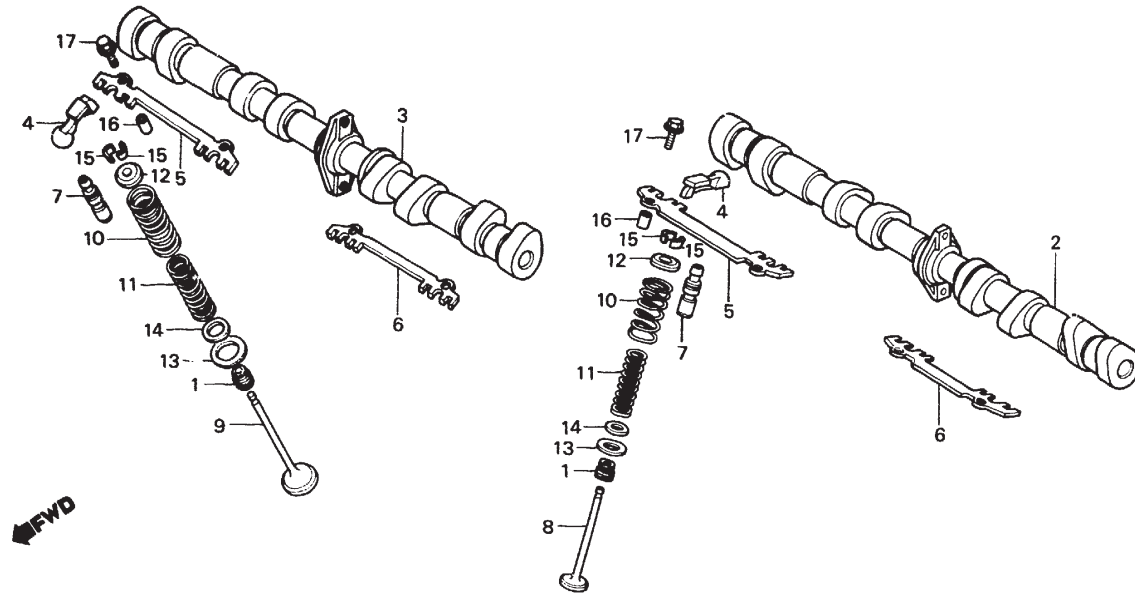
E-5

Camshaft • Valve

Arbre à cames • Soupape

Nockenwelle • Ventil

Arbol de levas • Válvula



BME5-5

Service item	F.R.T.	Ref. No.	Part No.	Description	Reqd. No.						Serial No.	Area code
					CBX 600Ed	CBX 650Ed	D	E	F	CB650SC		
CAMSHAFT COMP. (ADD 0.4 FOR EACH.)	1.6	1	12209-KE8-005	SEAL, VALVE STEM	16	16	16	16	16	16		
ARM, VALVE ROCKER	1.5	2	14101-ME5-000	CAMSHAFT COMP., IN.	1	1	1	1	1	1		CM,ED,F,IT,SD,U,1G
ADJUSTER, HYDRAULIC LASH		3	14201-ME5-000	CAMSHAFT COMP., IN.				1				2G
GUIDE, R. VALVE ROCKER ARM	0.9	4	14201-ME5-000	CAMSHAFT COMP., EX.	1	1	1	1	1	1		CM,ED,F,IT,SD,U,1G
VALVE (ADD 0.2 FOR EACH.) (INC. REFACING) (EXC. VALVE GUIDE REPLACEMENT)	3.3	5	14431-ME5-000	CAMSHAFT COMP., EX.				1				2G
SPRING, VALVE INNER (INC. RELATIVE PART) (ADD 0.1 FOR EACH.)	3.2	6	14433-ME5-000	ARM, VALVE ROCKER GUIDE, R. VALVE ROCKER ARM	16	16	16	16	16	16		
		7	14434-ME5-000	GUIDE, L. VALVE ROCKER ARM	2	2	2	2	2	2		
		8	14451-ME5-003	ADJUSTER, HYDRAULIC LASH	16	16	16	16	16	16		
		9	14711-ME5-000	VALVE, IN.	8	8	8	8	8	8		
		10	14721-ME5-000	VALVE, EX.	8	8	8	8	8	8		
		11	14751-ME5-000	SPRING, VALVE OUTER	16	16	16	16	16	16		
		12	14761-ME5-000	SPRING, VALVE INNER	16	16	16	16	16	16		
			14771-MA6-000	RETAINER, VALVE SPRING	16	16	16	16	16	16		

C 14

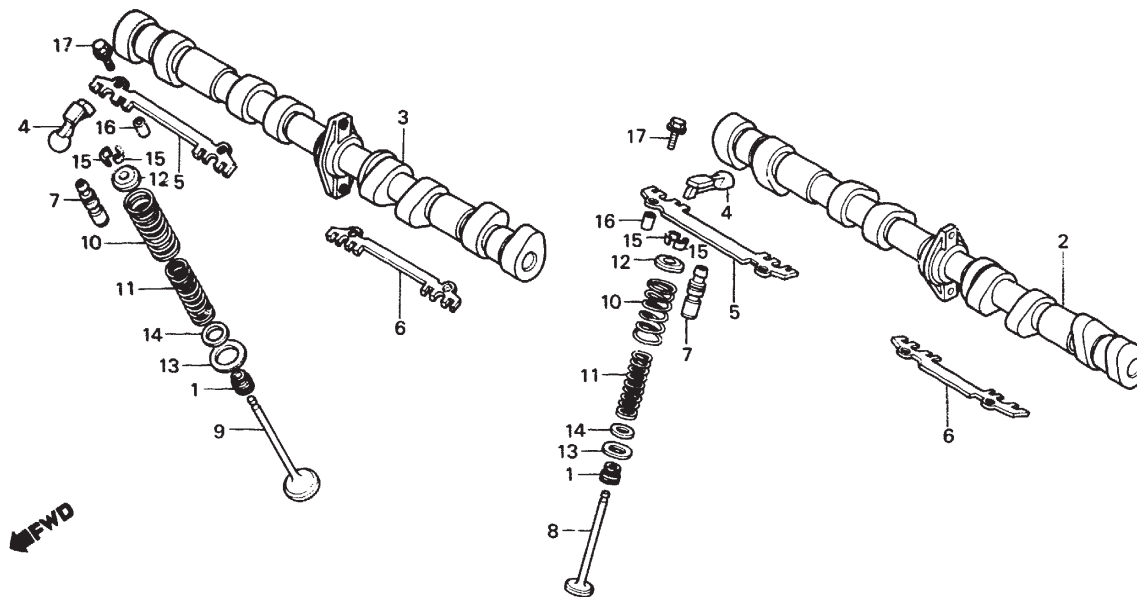
E-5

Camshaft • Valve

Arbre à cames • Soupape

Nockenwelle • Ventil

Arbol de levas • Válvula



BME5-5

Service item	F.R.T.	Ref. No.	Part No.	Description	Reqd. No.						Serial No.	Area code
					CBX 600Eo	CBX 650Eo	D	E	F	CB650SC		
		13	14775-MA6-000	SEAT, VALVE SPRING OUTER	16	16	16	16	16			
		14	14776-MA6-000	SEAT, VALVE SPRING INNER	16	16	16	16	16			
		15	14781-MA6-000	COTTER, VALVE	32	32	32	32	32			
		16	90702-MB0-000	PIN, DOWEL, 8X8	8	8	8	8	8			
		17	95700-06020	BOLT, FLANGE, 6X20	8	8	8	8	8			

C 15

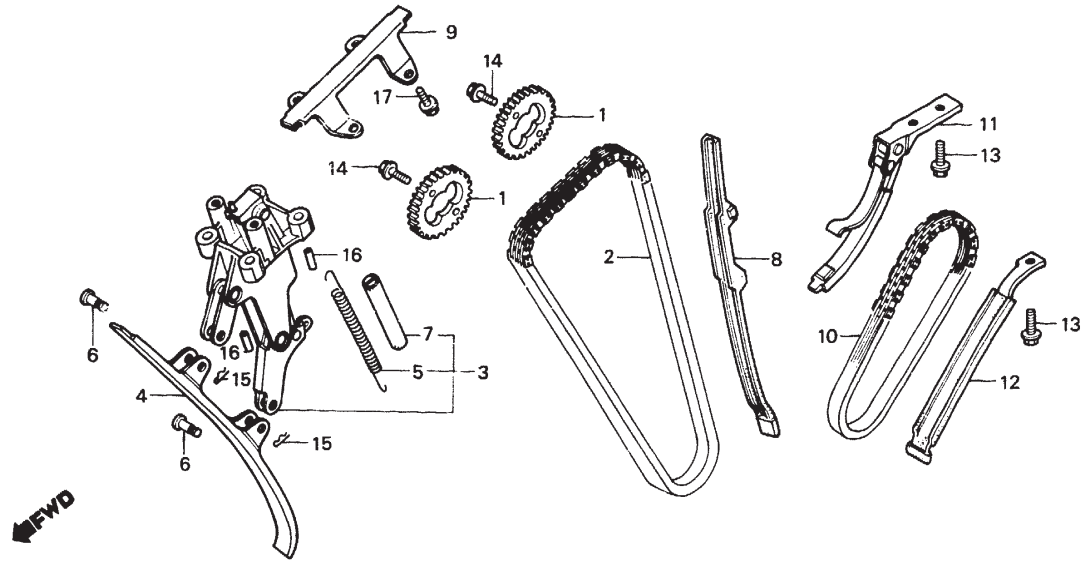
E-6

Cam chain • Tensioner

Chaine de cames • Tendeur

Steuerkette • Spanner

Cadena de levas • Tensionador



BME5-6

Service item	F.R.T.	Ref. No.	Part No.	Description	Reqd. No.						Serial No.	Area code
					CBX 600Ed	CBX 650Ed	CB650SC		D	E		
SPROCKET, CAM CHAIN (ADD 0.4 FOR EACH.)	0.5	1	14322-ME5-000	SPROCKET, CAM CHAIN	2	2	2	2	2			
CHAIN, CAM	*7.2	2	14401-ME4-003	CHAIN, CAM (TSUBAKIMOTO)	1							
BRACKET COMP., TENSIONER (INC. RELATIVE PART)	2.0		14401-ME4-004	CHAIN, CAM (DAIDO)	1							
• SLIPPER, CAM CHAIN TENSIONER	3.0	3	14401-ME5-003	CHAIN, CAM (TSUBAKIMOTO)		1	1	1	1			
GUIDE A, CAM CHAIN	0.8		14401-ME5-004	CHAIN, CAM (DAIDO)		1	1	1	1			
GUIDE B, CAM CHAIN	*7.0		14500-ME5-000	BRACKET COMP., TENSIONER 14500-ME5-010		1	1				2005975	
CHAIN, A.C. GENERATOR DRIVE	*5.2	4	14500-ME5-010	BRACKET COMP., TENSIONER	1			1	1		2005976	
TENSIONER COMP., A.C. GENERATOR CHAIN		5	14510-ME5-000	SLIPPER, CAM CHAIN TENSIONER	1	1	1	1	1			
			14514-ME5-000	SPRING, TENSIONER	1	1	1	1	1			
		6	14531-ME5-000	PIN, TENSIONER ARM	2	2	2	2	2			
		7	14539-ME5-000	TUBE, TENSIONER SPRING	1	1	1	1	1			
		8	14620-ME4-000	GUIDE A, CAM CHAIN	1							
			14620-ME5-000	GUIDE A, CAM CHAIN		1	1	1	1			
		9	14630-ME5-000	GUIDE B, CAM CHAIN	1	1	1	1	1			
		10	28161-ME5-003	CHAIN, A.C. GENERATOR DRIVE (TSBAKIMOTO)	1	1	1	1	1			

C 16

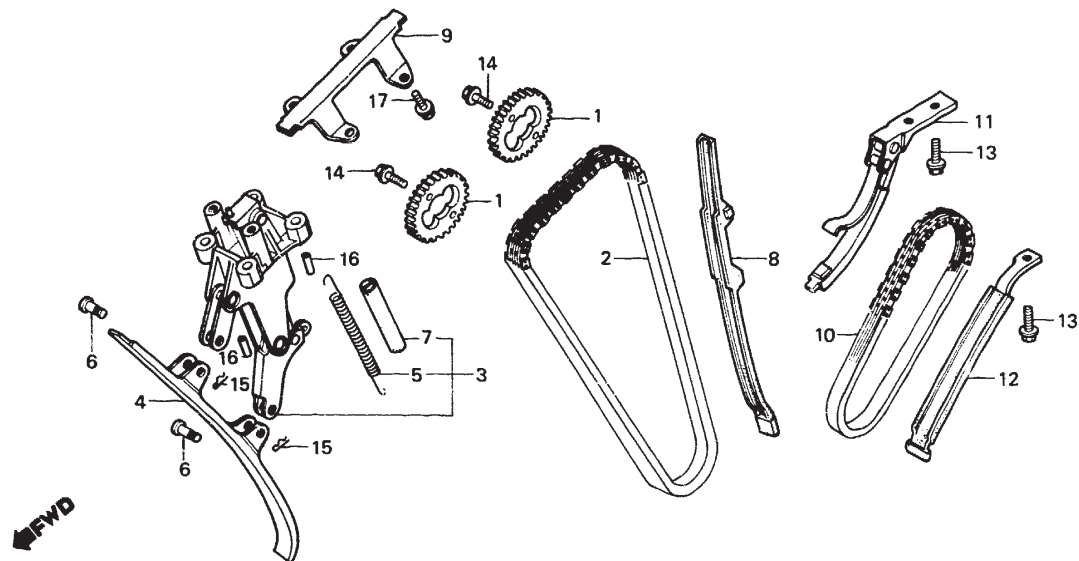
E-6

Cam chain • Tensioner

Chaine de cames • Tendeur

Steuerkette • Spanner

Cadena de levas • Tensionador



BME5-6

Service item	F.R.T.	Ref. No.	Part No.	Description	Reqd. No.					Serial No.	Area code
					CBX 600Ed	CBX 650Ed	D	E	F		
			28161-ME5-004	CHAIN, A.C. GENERATOR DRIVE (DAIDO)	1	1	1	1	1		
		11	28171-ME5-000	TENSIONER COMP., A.C. GENERATOR CHAIN	1	1	1	1			
			28171-ME5-010	TENSIONER COMP., A.C. GENERATOR CHAIN						1	
		12	28191-ME5-000	GUIDE, A.C. GENERATOR CHAIN	1	1	1	1	1		
		13	90009-ME5-000	BOLT, FLANGE SOCKET, 6X14	3	3	3	3	3		
		14	90027-ME5-000	BOLT, UBS, 7X13	4	4	4	4	4		
		15	90607-ME5-000	PIN, SPECIAL LOCK, 6MM	2	2	2	2	2		
		16	94301-10160	PIN, DOWEL, 10X16	2	2	2	2	2		
		17	95700-06014-08	BOLT, FLANGE, 6X14	4	4	4	4	4		

D 1

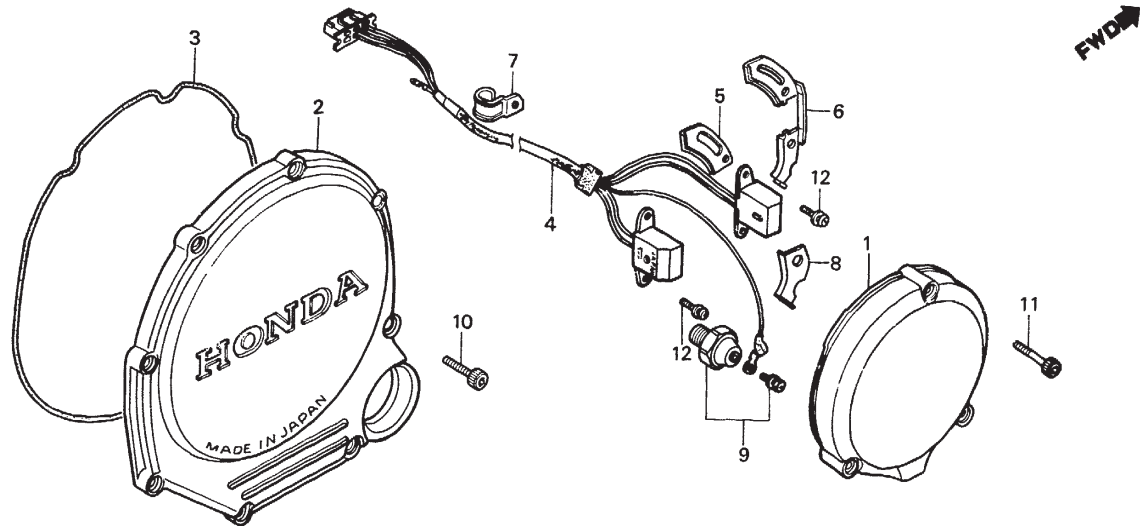
E-7

Right crankcase cover

Couvercle de carter moteur droit

Rechter Kurbelgehäusedeckel

Cubierta de cárter de motor derecha



BME5-7

Service item	F.R.T.	Ref. No.	Part No.	Description	Reqd. No.						Serial No.	Area code
					CBX 600Ed	CBX 650Ed	D	CB650SC E	F			
COVER COMP., CLUTCH	0.1	1	11311-ME5-000	COVER, R. CRANKCASE	1	1	1	1	1			
GENERATOR ASSY., PULSE	0.4	2	11331-ME5-000	COVER COMP., CLUTCH	1	1	1	1	1			
SWITCH ASSY., OIL PRESSURE	0.2	3	11396-ME5-000	GASKET, CLUTCH COVER	1	1	1	1	1			
		4	30300-ME5-000	GENERATOR ASSY., PULSE	1	1	1	1	1			
		5	30311-ME5-000	CLAMP, PULSER CORD	1	1	1	1			IT	
		6	30313-ME5-000	CLAMPER, PULSE							1	CM
		7	30315-ME5-000	CLAMP, PULSER CORD (B)	1	1	1	1	1			
		8	30322-ME5-000	CLAMP, OIL PRESSURE CORD	1	1	1	1				
		9	35500-MB9-004	SWITCH ASSY., OIL PRESSURE	1	1	1	1	1			IT
		10	90005-ME5-000	BOLT, SOCKET, 6X22	8	8	8	8	8			
		11	90006-ME5-000	BOLT, SOCKET, 6X32	3	3	3	3	3			
		12	90049-ME5-000	SCREW-WASHER, 5X14	4	4	4	4	4			

D 2

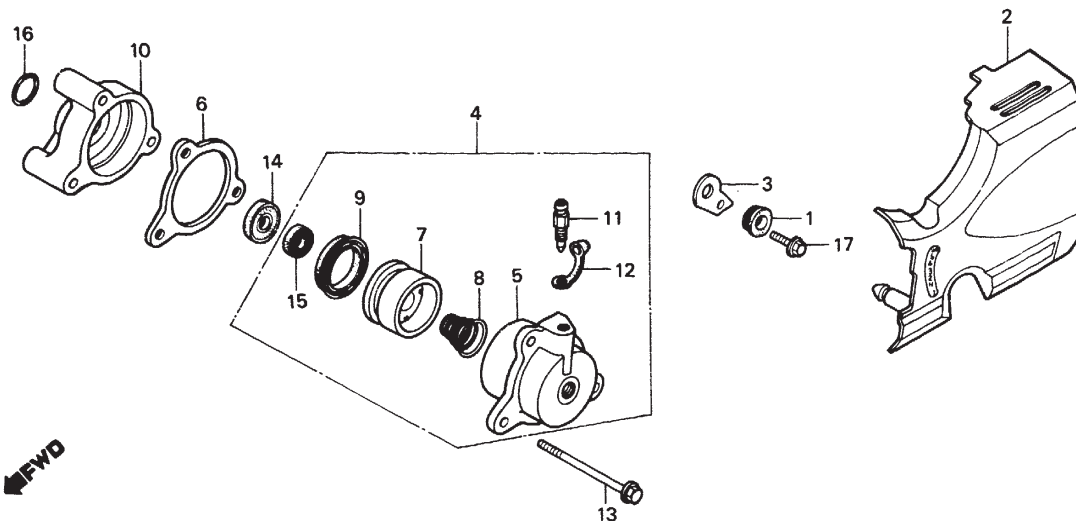
E-8

Clutch slave cylinder

Suite cylindre embrayage

Serrözyylinder kupplung

Cilindro sequido embraque



BME5-8

Service item	F.R.T.	Ref. No.	Part No.	Description	Reqd. No.					Serial No.	Area code
					CBX 600Ed	CBX 650Ed	CB650SC D	E	F		
CYLINDER ASSY., CLUTCH SLAVE	0.3	1	11345-MB0-000	GROMMET B, RR. COVER	1	1	1	1	1		
CYLINDER, SLAVE	0.4	2	11361-ME5-010	COVER, L. SIDE	1	1	1	1	1		
• PISTON, SLAVE CYLINDER (INC. RELATIVE PART)		3	11364-ME5-000	STAY, L. SIDE COVER (B)	1	1	1	1	1		
SPACER, CLUTCH SLAVE CYLINDER	0.2	4	22860-ME5-000	CYLINDER ASSY., CLUTCH SLAVE	1	1	1	1	1		
• OIL SEAL, 8X25X8		5	22861-ME5-000	CYLINDER, SLAVE	1	1	1	1	1		
• OIL SEAL, 8X18X5		6	22862-ME5-000	INSULATOR, CLUTCH SLAVE CYLINDER	1	1	1	1	1		
		7	22863-MB0-003	PISTON, SLAVE CYLINDER	1	1	1	1	1		
		8	22864-MB0-003	SPRING, SLAVE CYLINDER	1	1	1	1	1		
		9	22865-MB0-003	CUP, PISTON	1	1	1	1	1		
		10	22871-ME5-000	SPACER, CLUTCH SLAVE CYLINDER	1	1	1	1	1		
		11	43352-568-003	SCREW, BLEEDER	1	1	1	1	1		
		12	43353-461-771	CAP, BLEEDER	1	1	1	1	1		
		13	90011-ME5-000	BOLT, FLANGE, 6X77	3	3	3	3	3		
		14	91204-MB0-000	OIL SEAL, 8X25X8	1	1	1	1	1		

D 3

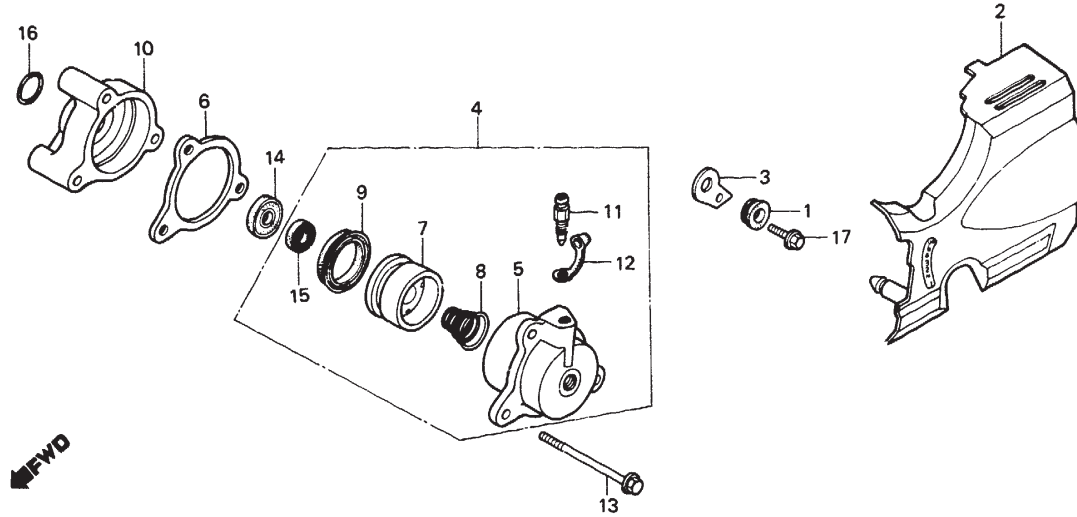
E-8

Clutch slave cylinder

Suite cylindre embrayage

Serrözyylinder kupplung

Cilindro sequido embraque



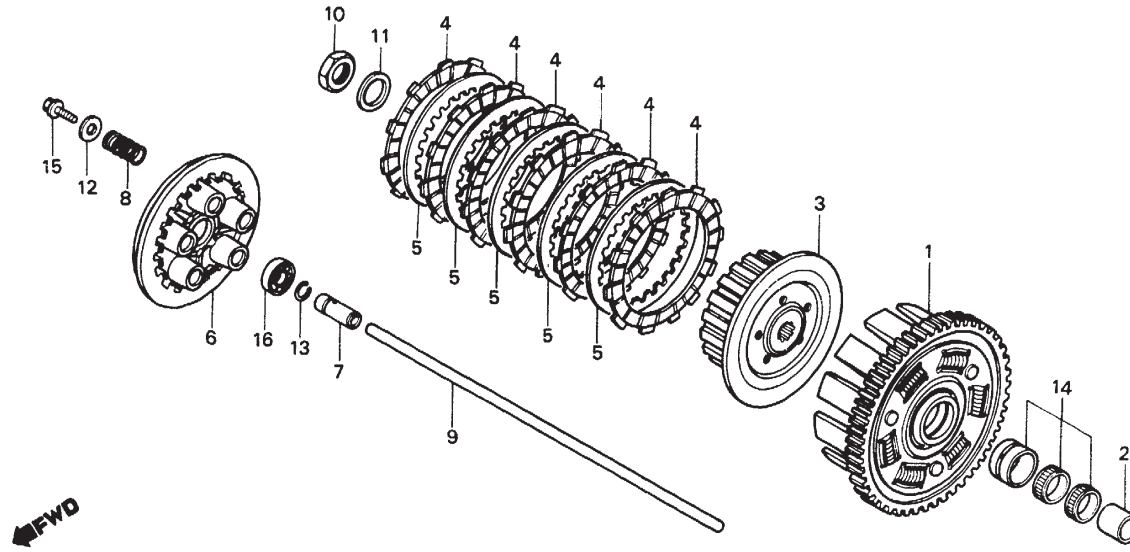
BME5-8

Service item	F.R.T.	Ref. No.	Part No.	Description	Reqd. No.						Serial No.	Area code
					CBX 600Ed	CBX 650Ed	D	E	F	CB650SC		
		15	91209-MB0-003	OIL SEAL, 8X18X5	1	1	1	1	1			
		16	91302-377-000	O-RING, 15X2.5	1	1	1	1	1			
		17	96000-06014-00	BOLT, FLANGE, 6X14	1	1	1	1	1			

D 4

E-9

**Clutch
Embrayare
Kupplung
Embrague**



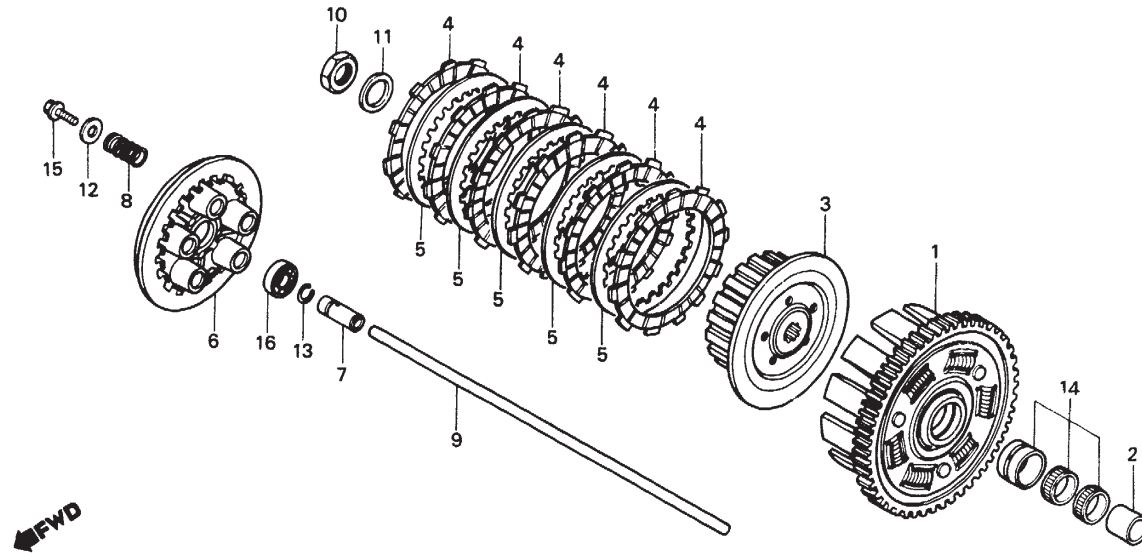
BME5-9

Service item	F.R.T.	Ref. No.	Part No.	Description	Reqd. No.						Serial No.	Area code
					CBX 600Ed	CBX 650Ed	D	CB650SC E	F			
OUTER COMP., CLUTCH	*5.0	1	22100-ME4-003	OUTER COMP., CLUTCH	1							
CENTER COMP., CLUTCH	0.7		22100-ME5-671	OUTER COMP., CLUTCH		1	1	1	1			
DISK, CLUTCH FRICTION (INC. RELATIVE PART)	0.6	2	22116-ME5-000	GUIDE, CLUTCH OUTER	1	1	1	1	1			
(ONE OR ALL)		3	22120-ME5-003	CENTER COMP., CLUTCH				1			2013659	
PLATE, CLUTCH PRESSURE	0.5		22120-ME5-013	CENTER COMP., CLUTCH	1	1		1	1			
• SPRING, CLUTCH (ONE OR ALL)		4	22201-MA6-000	DISK, CLUTCH FRICTION	6	6	6	6	6		2013660	
ROD, CLUTCH LIFTER	0.2	5	22321-ME5-003	PLATE, CLUTCH	5	5	5	5	5			
		6	22350-ME5-003	PLATE, CLUTCH PRESSURE	1	1	1	1	1			
		7	22366-ME5-000	PIECE, CLUTCH JOINT	1	1	1	1	1			
		8	22401-MB0-000	SPRING, CLUTCH	5	5	5	5	5			
		9	22850-MB0-000	ROD, CLUTCH LIFTER	1	1	1	1	1			
		10	90201-MB0-770	NUT, LOCK, 22MM	1	1	1	1	1			
		11	90432-MB0-000	WASHER, SPRING, 22MM	1	1	1	1	1			
		12	90481-259-000	WASHER, 6X19	5	5	5	5	5			
		13	90605-ME5-000	CLIP, 11MM	1	1	1	1	1			
		14	91024-ME5-008	BEARING, NEEDLE, 21X42X26	1	1	1	1	1			

D 5

E-9

**Clutch
Embrayage
Kupplung
Embrague**



BME5-9

Service item	F.R.T.	Ref. No.	Part No.	Description	Reqd. No.				Serial No.	Area code
					CBX 600Ed	CBX 650Ed	D	E		
		15	95700-06018-08	BOLT, FLANGE, 6X18	5	5	5	5	5	
		16	96100-62010-00	BEARING, RADIAL BALL, 6201	1	1	1	1	1	

D 6

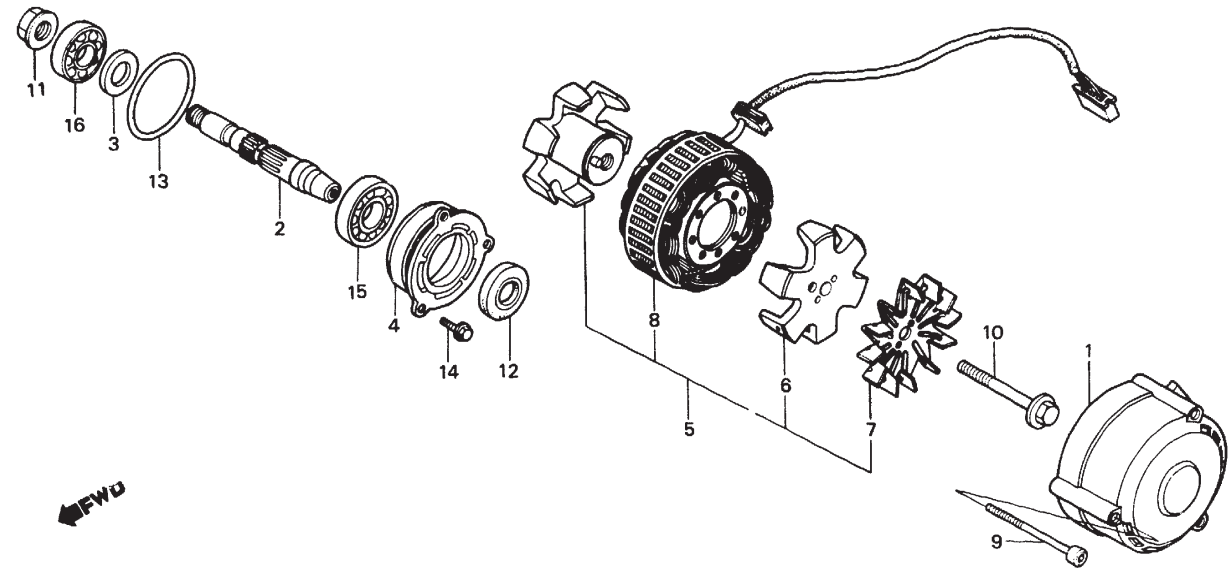
E-10

Generator

Générateur

Lichtmaschine

Generador



BME5-10

Service item	F.R.T.	Ref. No.	Part No.	Description	Reqd. No.						Serial No.	Area code
					CBX 600Ed	CBX 650Ed	D	CB650SC E	F	F		
COVER, A.C. GENERATOR	0.1	1	11341-ME5-000	COVER, A.C. GENERATOR	1	1	1	1	1			
SHAFT, A.C. GENERATOR	*5.6	2	28151-ME5-000	SHAFT, A.C. GENERATOR	1	1	1	1	1			
(INC. RELATIVE PART)		3	28154-ME5-000	COLLAR, A.C. GENERATOR SHAFT	1	1	1	1	1			
GENERATOR ASSY., A.C.	0.4	4	28156-ME5-000	HOLDER, A.C. GENERATOR BEARING	1	1	1	1	1			
ROTOR COMP.	0.2	5	31100-ME5-005	GENERATOR ASSY., A.C.	1	1	1					
FAN, A.C. GENERATOR				31100-ME5-015					1		IT	
STATOR COMP.	0.3		31100-ME5-015	GENERATOR ASSY., A.C.					1		CM	
		6	31110-ME5-005	ROTOR COMP.	1	1	1	1	1			
		7	31115-ME5-005	FAN, A.C. GENERATOR	1	1	1	1	1			
		8	31120-ME5-005	STATOR COMP.	1	1	1					
				31120-ME5-015					1		IT	
				31120-ME5-015					1		CM	
		9	90008-ME5-000	BOLT, SOCKET, 6X78	3	3	3	3	3			
		10	90023-ME5-000	BOLT, FLANGE, 10X62	1	1	1	1	1			
		11	90055-ME5-000	NUT, FLANGE, 16MM	1	1	1	1	1			

D 7

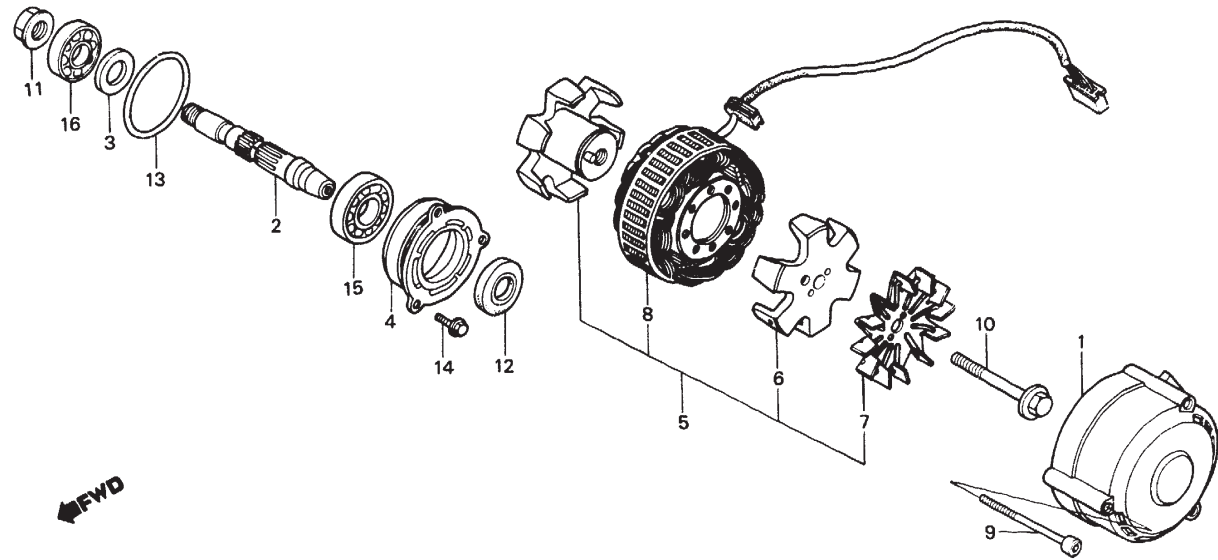
E-10

Generator

Générateur

Lichtmaschine

Generador



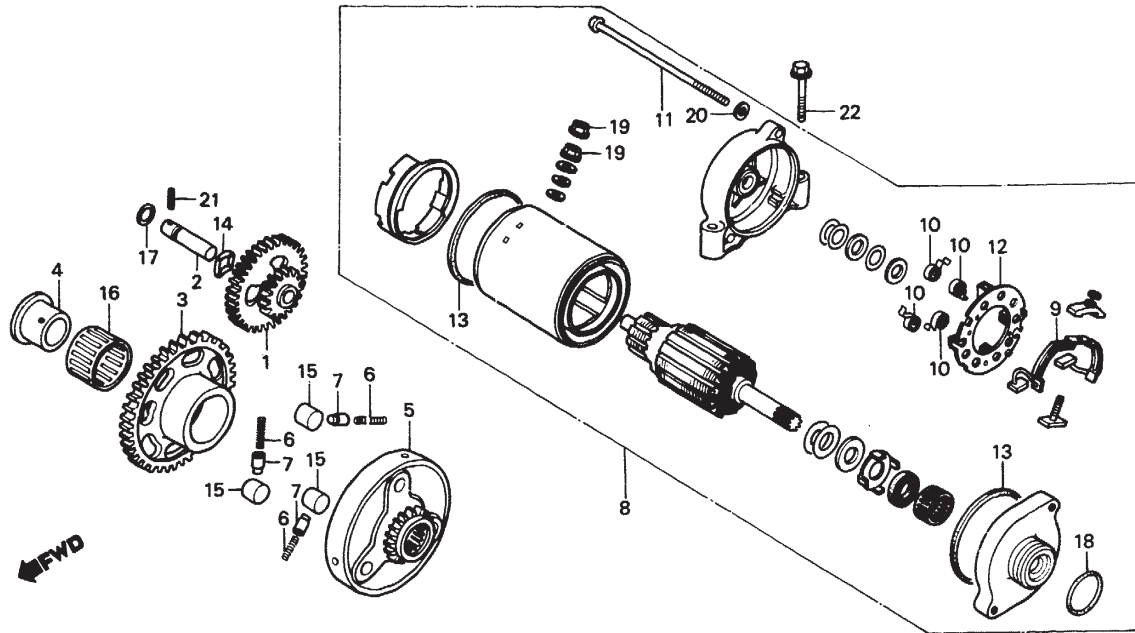
BME5-10

Service item	F.R.T.	Ref. No.	Part No.	Description	Reqd. No.					Serial No.	Area code
					CBX 600Ed	CBX 650Ed	D	CB650SC E	F		
		12	91207-ME5-003	OIL SEAL, 25X41X7 (ARAI)	1	1	1	1	1		
		13	91302-657-000	O-RING, 53.8X3.1	1	1	1	1	1		
		14	96000-06016-00	BOLT, FLANGE, 6X16	3	3	3	3	3		
		15	96100-62040-00	BEARING, RADIAL BALL, 6204	1	1	1	1	1		
		16	96120-62030-00	BEARING, RADIAL BALL, 6203	1	1	1	1	1		



E-11

Starting motor
 Moteur démarrage
 Anlassermotor
 Motor de arranque



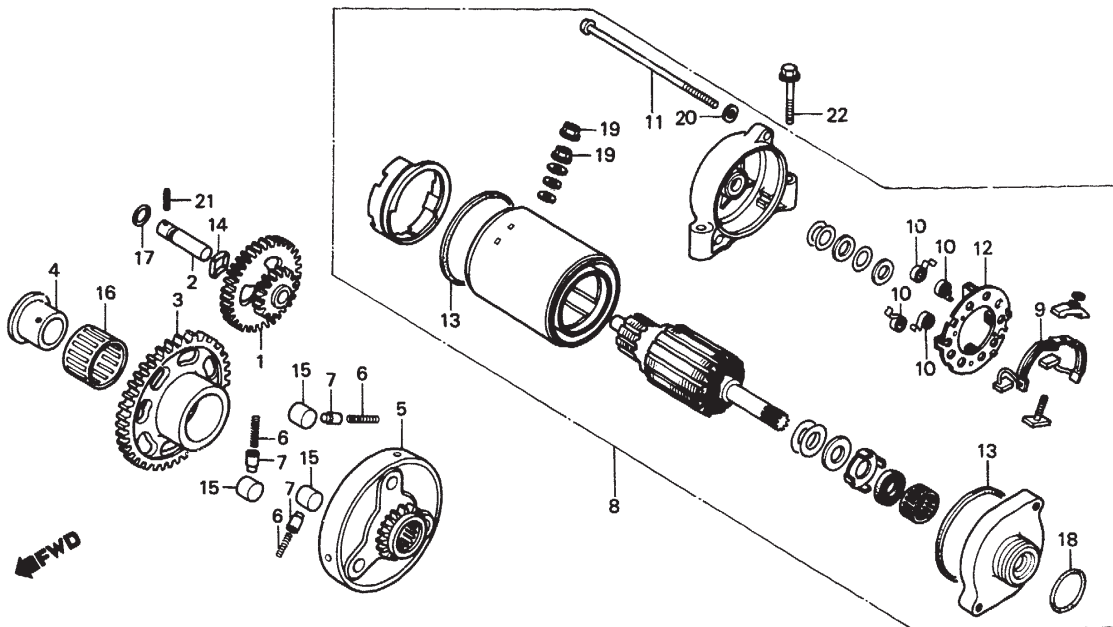
BME5-11

Service item	F.R.T.	Ref. No.	Part No.	Description	Reqd. No.					Serial No.	Area code
					CBX 600Ed	CBX 650Ed	D	E	F		
GEAR, STARTER REDUCTION	*5.3	1	28101-ME5-000	GEAR, STARTER REDUCTION	1	1	1	1	1		
GEAR, STARTING CLUTCH	*5.6	2	28106-ME5-000	SHAFT, REDUCTION GEAR	1	1	1	1	1		
•ROLLER, 10.2X11.5 (ONE OR ALL)		3	28111-ME5-000	GEAR, STARTING CLUTCH	1	1	1	1	1		
OUTER COMP., STARTING CLUTCH	*5.7	4	28115-ME5-000	GUIDE, STARTER CLUTCH GEAR	1	1	1	1	1		
MOTOR ASSY., STARTING	0.2	5	28120-ME5-000	OUTER COMP., STARTING CLUTCH	1	1	1	1	1		
TERMINAL SET, BRUSH	0.4	6	28125-426-000	SPRING, STARTING CLUTCH ROLLER	3	3	3	3	3		
		7	28126-323-000	CAP, STARTING CLUTCH ROLLER	3	3	3	3	3		
				SPRING							
		8	31200-ME5-000	MOTOR ASSY., STARTING	1	1	1	1	1		
		9	31201-MA6-000	TERMINAL SET, BRUSH	1	1	1	1	1		
		10	31204-MA6-000	SPRING, CARBON BRUSH	4	4	4	4	4		
		11	31205-MB0-000	SCREW, PAN, 5X115	2	2	2	2	2		
		12	31206-MA6-000	HOLDER SET, BRUSH	1	1	1	1	1		

D 9

E-11

Starting motor
Moteur démarrage
Anlassermotor
Motor de arranque



BME5-11

Service item	F.R.T.	Ref. No.	Part No.	Description	Reqd. No.						Serial No.	Area code
					CBX 600Ed	CBX 650Ed	D	E	F	CB650SC		
		13	31207-179-711	RING	2	2	2	2	2			
		14	90435-422-000	WASHER, WAVE, 10MM	1	1	1	1	1			
		15	91101-377-000	ROLLER, 10.2X11.5	3	3	3	3	3			
		16	91108-634-961	BEARING, NEEDLE, 25X30X21	1						4000208	
			91106-ME5-008	BEARING, NEEDLE, 25X30X20	1						2014835	
				(TOYO)	1	1	1				4000209	
				(TOYO)		1	1				2014836	
		17	91301-300-000	O-RING, 6X2.3	1	1	1	1	1			
		18	91309-425-003	O-RING, 24.4X3.1	1	1	1	1	1			
		19	94002-06000-0S	NUT, HEX., 6MM	2	2	2	2	2			
		20	94111-05000	WASHER, SPRING, 5MM	2	2	2	2	2			
		21	94305-40122	PIN, SPRING, 4X12	1	1	1	1	1			
		22	95700-06035-07	BOLT, FLANGE, 6X35	2	2	2	2	2			

D 10

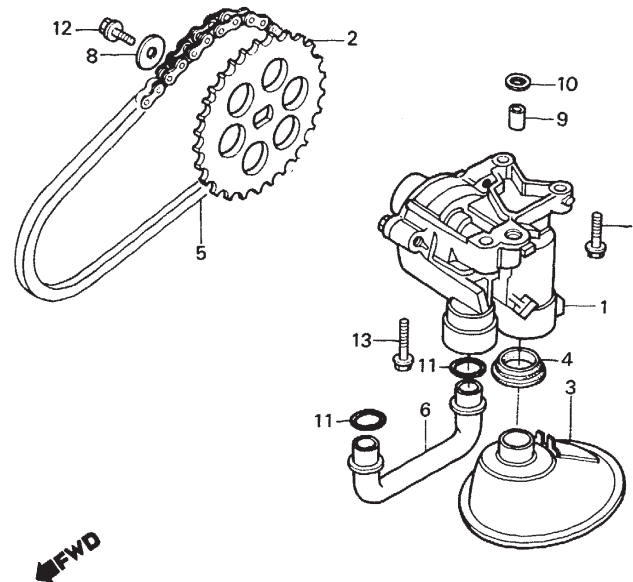
E-12

Oil pump

Pompe à huile

Ölpumpe

Bomba de aceite



BME5-12

Service item	F.R.T.	Ref. No.	Part No.	Description	Reqd. No.					Serial No.	Area code
					CBX 600Ed	CBX 650Ed	D	E	F		
PUMP ASSY., OIL	1.1	1	15100-ME5-000	PUMP ASSY., OIL	1	1	1	1			
SPROCKET, OIL PUMP DRIVEN	1.0								1		IT
STRAINER, OIL	0.9		15100-ME5-770	PUMP ASSY., OIL					1		CM
PIPE, OIL PATH		2	15151-ME5-000	SPROCKET, OIL PUMP DRIVEN	1	1	1	1	1		
CHAIN, OIL PUMP	*5.5	3	15153-ME5-000	STRAINER, OIL	1	1	1	1			
			15153-ME5-010	STRAINER, OIL					1		IT
		4	15154-MA6-000	PACKING, OIL STRAINER	1	1	1	1			CM
			15154-MA6-010	PACKING, OIL STRAINER					1		IT
		5	15161-ME5-003	CHAIN, OIL PUMP	1	1	1	1	1		CM
		6	15311-ME5-000	PIPE, OIL PATH	1	1	1	1	1		
		7	90014-ME5-000	BOLT, KNOCK, 6X30	2	2	2	2	2		
		8	90487-MB0-000	WASHER, SHIFT DRUM STOPPER	1	1	1	1	1		
		9	90702-MB0-000	PIN, DOWEL, 8X8	1	1	1	1	1		
		10	91303-428-003	O-RING, 7.7X2.5	1	1	1	1	1		

D 11

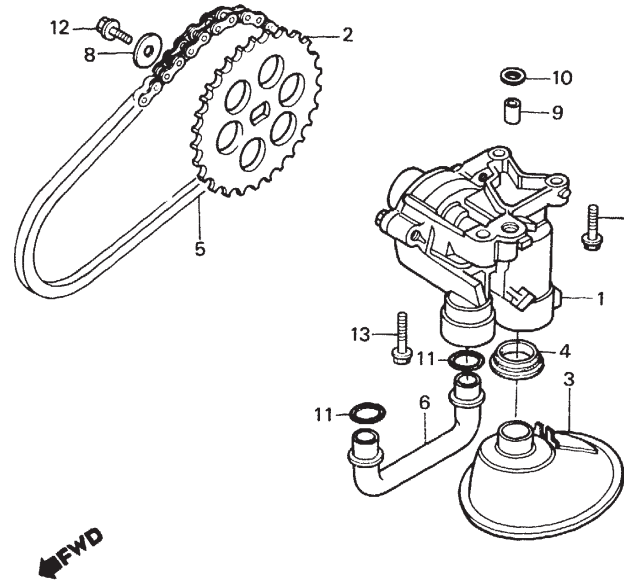
E-12

Oil pump

Pompe à huile

Ölpumpe

Bomba de aceite



BME5-12

Service item	F.R.T.	Ref. No.	Part No.	Description	Reqd. No.						Serial No.	Area code
					CBX 600Ed	CBX 650Ed	D	E	F	CB650SC		
		11	91308-MA6-005	O-RING, 14.6X3.6	2	2	2	2	2			
		12	95700-06014-08	BOLT, FLANGE, 6X14	1	1	1	1	1			
		13	95700-06032-00	BOLT, FLANGE, 6X32	1	1	1	1	1			

D 12

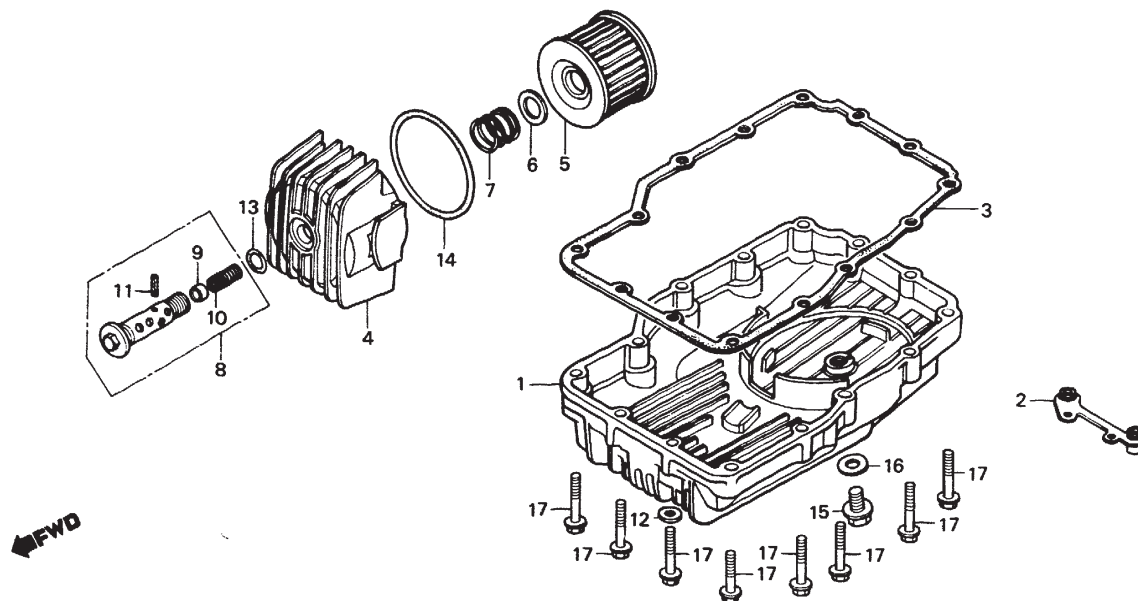
E-13

Oil pan • Oil filter

Carter inférieur • Filtre à huile

Ölwanne • Ölfilter

Cárter de aceite • Filtro de aceite



BME5-13

Service item	F.R.T.	Ref. No.	Part No.	Description	Reqd. No.					Serial No.	Area code
					CBX 600Ed	CBX 650Ed	D	E	F		
PAN, OIL	0.8	1	11210-ME5-000	PAN, OIL	1	1	1	1			
GASKET, OIL PAN											IT
ELEMENT, OIL FILTER (INC. RELATIVE PART)	0.2		11210-ME5-010	PAN, OIL					1		CM
		2	11215-ME5-000	COLLAR, MUFFLER JOINT	1	1	1	1	1		
		3	11398-ME5-000	GASKET, OIL PAN	1	1	1	1	1		
		4	15411-ME5-000	CASE, OIL FILTER	1	1	1	1	1		
		5	15412-422-004	ELEMENT, OIL FILTER	1	1	1	1	1		
		6	15414-300-000	SEAT, OIL FILTER SPRING	1	1	1	1	1		
		7	15415-300-000	SPRING, OIL FILTER ELEMENT	1	1	1	1	1		
				SETTING							
		8	15450-ME5-000	BOLT, OIL FILTER CENTER	1	1	1	1	1		
		9	15473-300-300	VALVE, CHECK	1	1	1	1	1		
		10	15474-300-310	SPRING, CHECK VALVE	1	1	1	1	1		
		11	15477-300-300	PIN, SPRING SETTING	1	1	1	1	1		
		12	90441-706-000	WASHER, SEALING, 6MM	1	1	1	1	1		
		13	91302-377-000	O-RING, 15X2.5	1	1	1	1	1		
		14	91316-425-003	O-RING, 89X4.5	1	1	1	1	1		

D 13

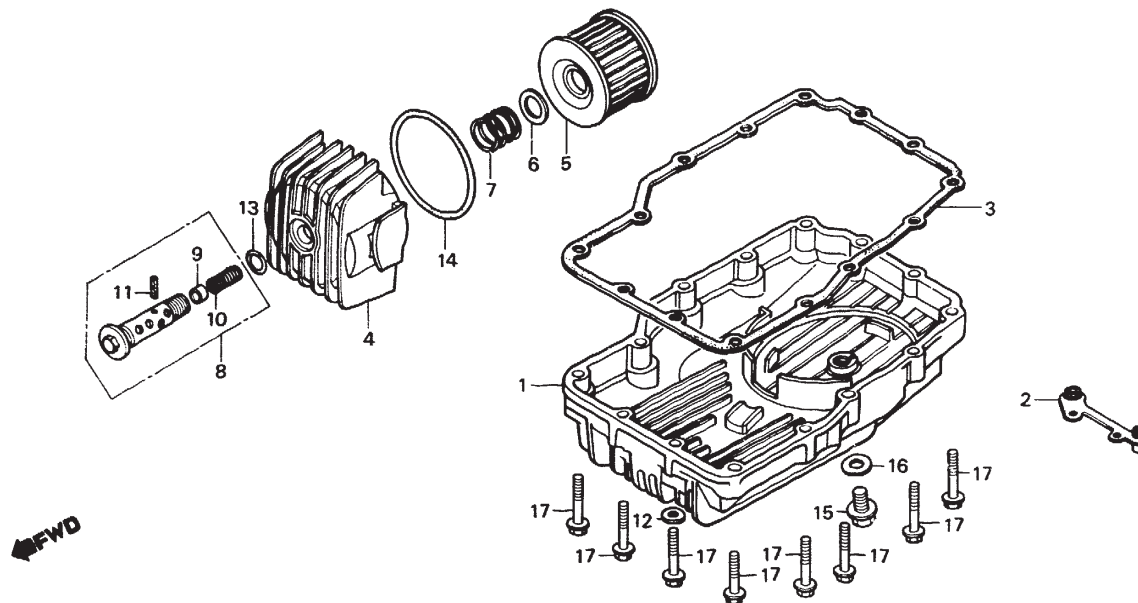
E-13

Oil pan • Oil filter

Carter inférieur • Filtre à huile

Ölwanne • Ölfilter

Cárter de aceite • Filtro de aceite



BME5-13

Service item	F.R.T.	Ref. No.	Part No.	Description	Reqd. No.						Serial No.	Area code
					CBX 600Ed	CBX 650Ed	D	CB650SC		F		
		15	92800-12000	BOLT, DRAIN PLUG, 12MM	1	1	1	1	1			
		16	94109-12000	WASHER, DRAIN PLUG, 12MM	1	1	1	1	1			
		17	95700-06028-07	BOLT, FLANGE, 6X28	14	14	14	14	14			

D 14

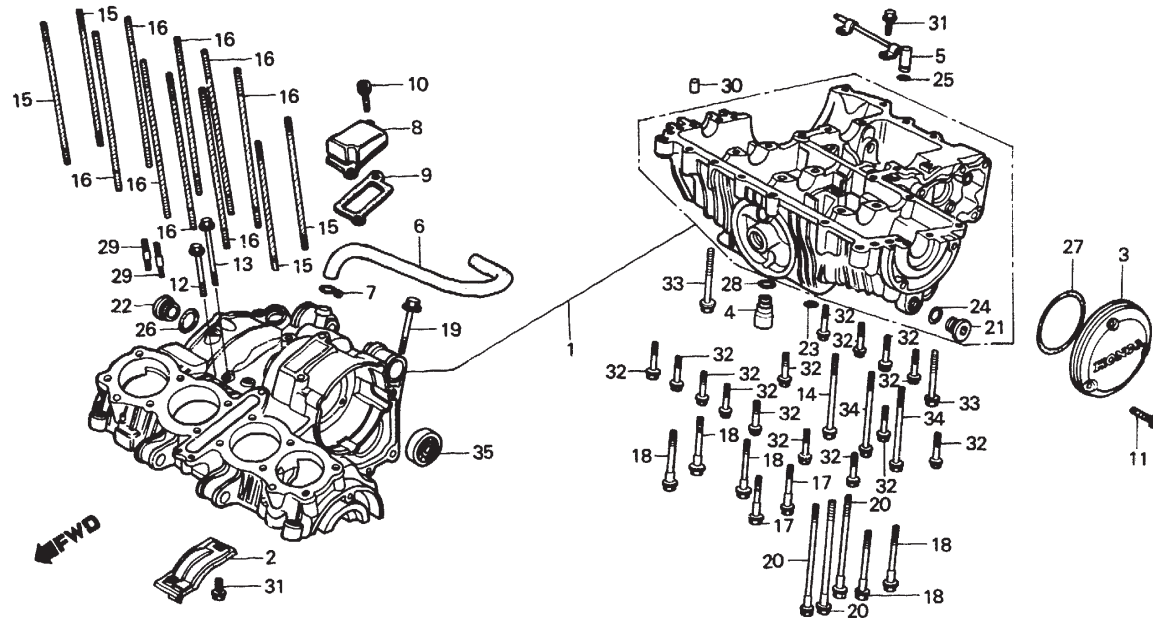
E-14

Crankcase

Carter moteur

Kurbelgehäuse

Cárter de motor



BME5-14

Service item	F.R.T.	Ref. No.	Part No.	Description	Reqd. No.				Serial No.	Area code
					CBX 600Ed	CBX 650Ed	CB650SC D	E		
CRANKCASE SET	*9.0	1	11000-ME4-000	CRANKCASE SET	1					
VALVE ASSY., RELIEF	1.0	1	11000-ME5-000	CRANKCASE SET	1	1	1	1	1	
DUCT COMP., A.C. GENERATOR AIR	0.2	2	11110-ME5-000	PLATE COMP., BREATHER	1	1	1	1	1	
		3	11321-ME5-000	COVER, L. CRANKCASE	1	1	1	1	1	
		4	15220-ME5-000	VALVE ASSY., RELIEF	1	1	1	1	1	
		5	15570-ME5-000	NOZZLE COMP., TRANSMISSION OIL	1	1	1	1	1	
		6	15761-ME5-000	TUBE, BREATHER	1	1	1	1	1	
		7	18534-634-670	CLIP, AIR HOSE, 16	1	1	1	1	1	
		8	30990-ME5-000	DUCT COMP., A.C. GENERATOR AIR	1	1	1	1	1	
		9	30995-ME5-000	GASKET, AIR DUCT	1	1	1	1	1	
		10	90001-ME5-000	BOLT, SOCKET, 6X14	2	2	2	2	2	
		11	90004-ME5-000	BOLT, SOCKET, 6X22	3	3	3	3	3	
		12	90019-ME5-000	BOLT, FLANGE, 6X85	1	1	1	1	1	
		13	90020-ME5-000	BOLT, FLANGE, 6X105	1	1	1	1	1	
		14	90021-ME5-000	BOLT, FLANGE, 6X120	1	1	1	1	1	
		15	90031-ME4-003	BOLT, STUD, 8X170	4					

D 15

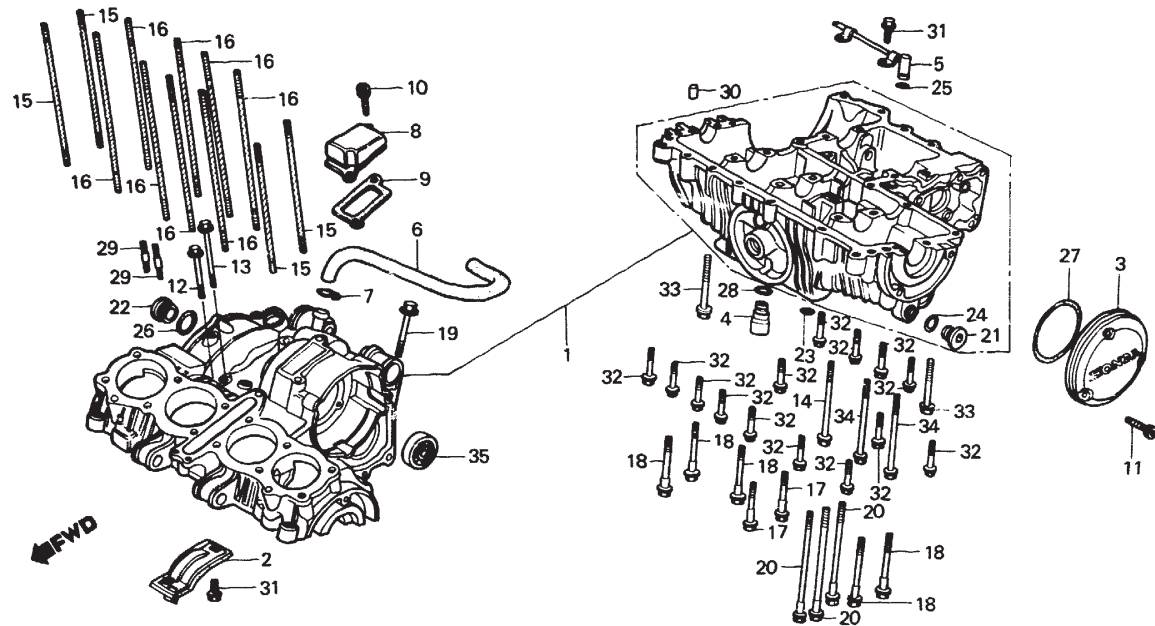
E-14

Crankcase

Carter moteur

Kurbelgehäuse

Cárter de motor



BME5-14

Service item	F.R.T.	Ref. No.	Part No.	Description	Reqd. No.						Serial No.	Area code
					CBX 600Ed	CBX 650Ed	D	E	F	CB650SC		
			90031-ME5-003	BOLT, STUD, 8X182	4	4					2024549	CM,ED,F,U,1G
			90031-ME5-013	BOLT, STUD, 8X182	4	4					2024550	2G CM,ED,F,U,1G
		16	90032-ME4-003	BOLT, STUD, 8X189		8						
			90032-ME5-003	BOLT, STUD, 8X201		8					2024549	CM,ED,F,U,1G
			90032-ME5-013	BOLT, STUD, 8X201		8					2024550	2G CM,ED,F,U,1G
		17	90041-ME5-000	BOLT, FLANGE, 8X80	2	2	2	2	2			
		18	90042-ME5-000	BOLT, FLANGE, 8X100	5	5	5	5	5			
		19	90043-ME5-000	BOLT, FLANGE, 8X125	1	1	1	1	1			
		20	90044-ME5-000	BOLT, FLANGE, 8X130	3	3	3	3	3			
		21	90048-ME5-000	BOLT, SEALING, 20MM	2	2	2	2	2			
		22	90085-ME5-000	CAP, 29MM	1	1	1	1	1			
		23	90441-706-000	WASHER, SEALING, 6MM	3	3	3	3	3			
		24	90442-ME5-000	WASHER, SEALING, 20MM	2	2	2	2	2			
		25	91304-ME5-003	O-RING, 5.1X2.2 (ARAI)	1	1	1	1	1			

D 16

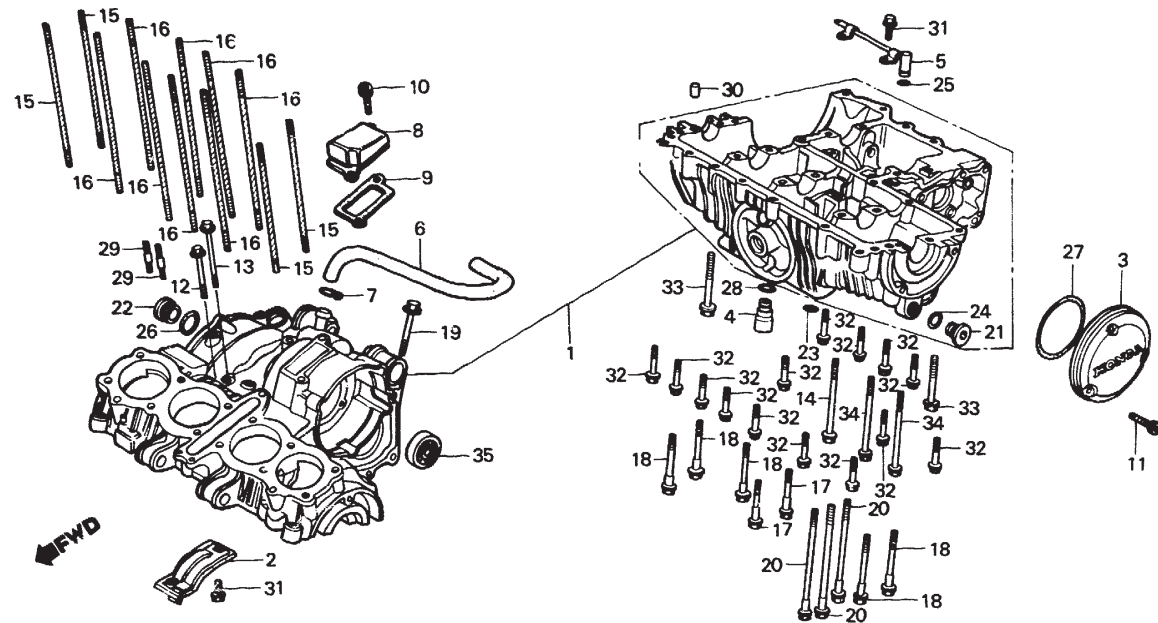
E-14

Crankcase

Carter moteur

Kurbelgehäuse

Cárter de motor



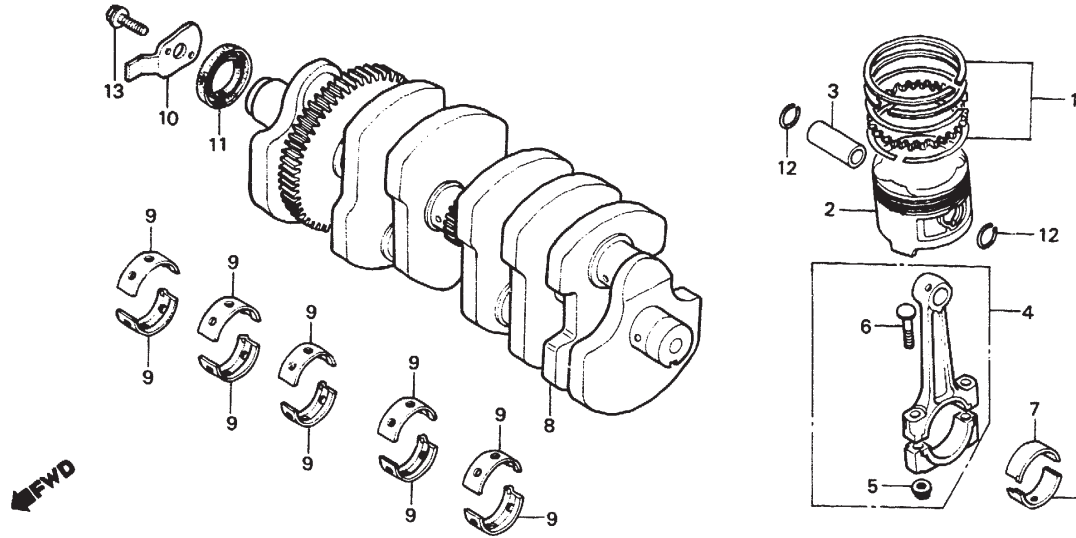
BME5-14

Service item	F.R.T.	Ref. No.	Part No.	Description	Reqd. No.				Serial No.	Area code
					CBX 600Ed	CBX 650Ed	D	E		
		26	91311-ME5-005	O-RING, 24.5X2.6 (NIPPON)	1	1	1	1	1	
		27	91312-ME5-003	O-RING, 66.6X3.2 (ARAI)	1	1	1	1	1	
		28	91356-MA6-003	O-RING, 14.8X2.4 (ARAI)	1	1	1	1	1	
			91356-MA6-005	O-RING, 14.8X2.4 (NIPPON)	1	1	1	1	1	
		29	92900-06028-0B	BOLT, STUD, 6X28	3	3	3	3	3	
		30	94302-10160	PIN B, DOWEL, 10X16	2	2	2	2	2	
		31	95700-06012-08	BOLT, FLANGE, 6X12	4	4	4	4	4	
		32	95700-06045-07	BOLT, FLANGE, 6X45	13	13	13	13	13	
		33	95700-06060-07	BOLT, FLANGE, 6X60	2	2	2	2	2	
		34	95700-06110-07	BOLT, FLANGE, 6X110	2	2	2	2	2	
		35	96100-62040-00	BEARING, RADIAL BALL, 6204	1	1	1	1	1	

E 1

E-15

Crankshaft • Piston
Vilebrequin • Piston
Kurbelwelle • Kolben
Cigüeñal • Pistón



BME5-15

Service item	F.R.T.	Ref. No.	Part No.	Description	Reqd. No.						Serial No.	Area code
					CBX 600Ed	CBX 650Ed	D	E	F	CB650SC		
RING SET, PISTON (ADD 0.1 FOR EACH.)	3.7	1	13011-ME5-004	RING SET, PISTON (STD.)	4	4	4	4	4	4		
PISTON			13021-ME5-004	RING SET, PISTON (0.25)	(4)	(4)	(4)	(4)	(4)	(4)		
PISTON			13031-ME5-004	RING SET, PISTON (0.50)	(4)	(4)	(4)	(4)	(4)	(4)		
PISTON			13041-ME5-004	RING SET, PISTON (0.75)	(4)	(4)	(4)	(4)	(4)	(4)		
PISTON			13051-ME5-004	RING SET, PISTON (1.00)	(4)	(4)	(4)	(4)	(4)	(4)		
PIN, PISTON	3.6											
ROD ASSY. CONNECTING (ADD 0.2 FOR EACH.)	*7.8	2	13101-ME4-000	PISTON (STD.)	4							
BEARING CONNECTING ROD (ADD 0.3 FOR EACH.)	*6.4		13101-ME5-000	PISTON (STD.)		4	4	4	4	4		
CRANKSHAFT COMP.	*8.7		13102-ME4-000	PISTON (0.25)	(4)							
BEARING MAIN (ONE OR ALL)	*7.9		13102-ME5-000	PISTON (0.25)		(4)	(4)	(4)	(4)	(4)		
ROTOR, PULSE GENERATOR	0.2		13103-ME4-000	PISTON (0.50)	(4)							
			13103-ME5-000	PISTON (0.50)		(4)	(4)	(4)	(4)	(4)		
			13104-ME4-000	PISTON (0.75)	(4)							
			13104-ME5-000	PISTON (0.75)		(4)	(4)	(4)	(4)	(4)		
			13105-ME4-000	PISTON (1.00)	(4)							
			13105-ME5-000	PISTON (1.00)		(4)	(4)	(4)	(4)	(4)		
		3	13111-MA7-000	PIN, PISTON	4	4	4	4	4	4		

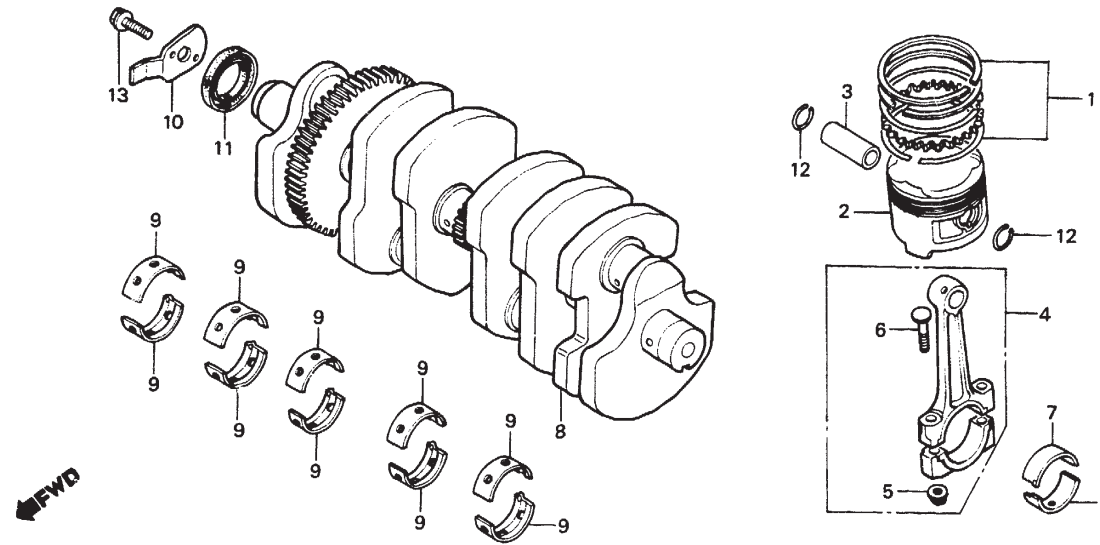
Crankshaft bearing selection
(Oil clearance 19~43 μm)

Crankcase I.D. 36ø	Crankshaft O.D. 33ø				
	(Mark) 0	(Mark) 1	2	3	4
	+0.006	0	-0.026	-0.012	-0.018
	+0.012	-0.006	-0.012	-0.018	-0.024
(Mark) A	F	E	D	C	B
B	Pink	Yellow	Green	Brown	Black
C	Yellow	Green	Brown	Black	Blue
	D	C	B	A	
	Green	Brown	Black	Blue	

E 2

E-15

Crankshaft • Piston
 Vilebrequin • Piston
 Kurbelwelle • Kolben
 Cigüeñal • Pistón



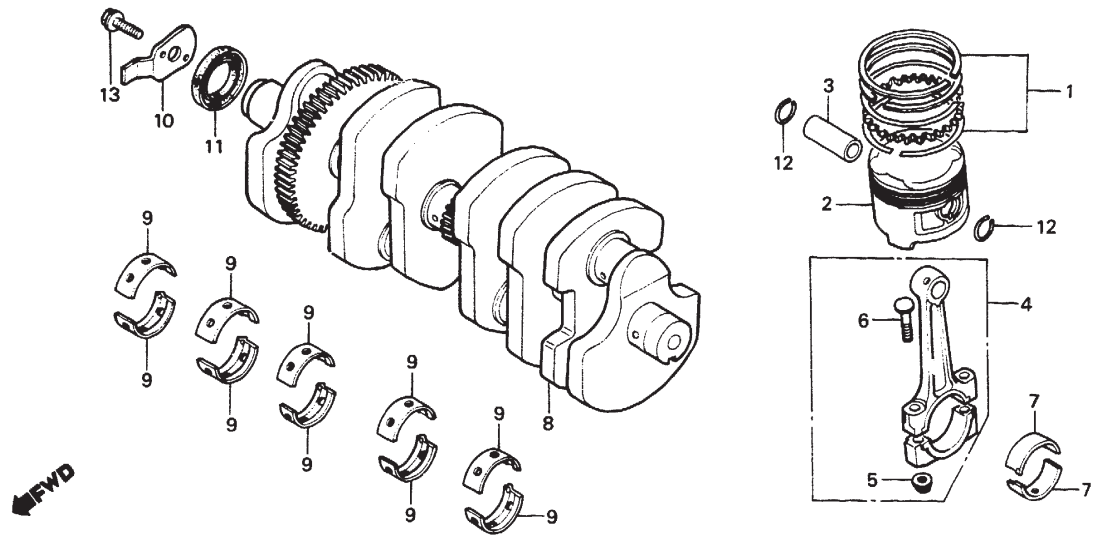
BME5-15

Service item	F.R.T.	Ref. No.	Part No.	Description	Reqd. No.				Serial No.	Area code
					CBX 600Ed	CBX 650Ed	CB650SC D	CB650SC E		
		4	13201-ME4-000	ROD COMP. A, CONNECTING	4					
			13201-ME5-000	ROD ASSY. A, CONNECTING	4	4	4	4	4	
			13202-ME4-000	ROD COMP. B, CONNECTING	4					
			13202-ME5-000	ROD ASSY. B, CONNECTING	4	4	4	4	4	
			13203-ME4-000	ROD COMP. C, CONNECTING	4					
			13203-ME5-000	ROD ASSY. C, CONNECTING	4	4	4	4	4	
			13204-ME4-000	ROD COMP. D, CONNECTING	4					
			13204-ME5-000	ROD ASSY. D, CONNECTING	4	4	4	4	4	
			13205-ME4-000	ROD COMP. E, CONNECTING	4					
			13205-ME5-000	ROD ASSY. E, CONNECTING	4	4	4	4	4	
		5	13205-634-010	NUT, CONNECTING ROD	8	8	8	8	8	
		6	13213-ME5-000	BOLT, CONNECTING ROD		8	8	8	8	
			13213-422-004	BOLT, CONNECTING ROD	8					
		7	13214-MA7-000	BEARING A, CONNECTING ROD	8					
			13214-ME5-003	BEARING A, CONNECTING ROD (BLUE)					8	CM
			13214-ME5-004	BEARING A, CONNECTING ROD (BLUE) (NDC) (BLUE) (TAIHO)	8	8	8	8		

E 3

E-15

Crankshaft • Piston
Vilebrequin • Piston
Kurbelwelle • Kolben
Cigüeñal • Pistón



BME5-15

Service item	F.R.T.	Ref. No.	Part No.	Description	Reqd. No.				Serial No.	Area code
					CBX 600Ed	CBX 650Ed	D	E		
			13215-MA7-000	BEARING B, CONNECTING ROD (BLACK)	8					
			13215-ME5-003	BEARING B, CONNECTING ROD (BLACK) (NDC)				8		CM
			13215-ME5-004	BEARING B, CONNECTING ROD (BLACK) (TAIHO)	8	8	8	8		
			13216-MA7-000	BEARING C, CONNECTING ROD (BROWN)	8					
			13216-ME5-003	BEARING C, CONNECTING ROD (BROWN) (NDC)				8		CM
			13216-ME5-004	BEARING C, CONNECTING ROD (BROWN) (TAIHO)	8	8	8	8		
			13217-MA7-000	BEARING D, CONNECTING ROD (GREEN)	8					
			13217-ME5-003	BEARING D, CONNECTING ROD (GREEN) (NDC)				8		CM
			13217-ME5-004	BEARING D, CONNECTING ROD (GREEN) (TAIHO)	8	8	8	8		
			13218-MA7-000	BEARING E, CONNECTING ROD (YELLOW)	8					

E 4

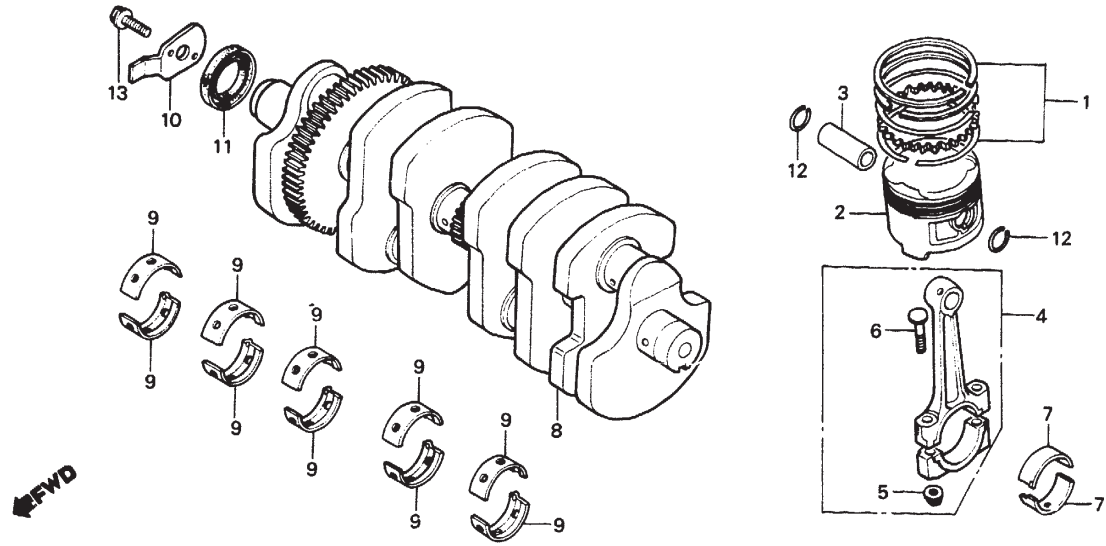
E-15

Crankshaft • Piston

Vilebrequin • Piston

Kurbelwelle • Kolben

Cigüeñal • Pistón



BME5-15

Service item	F.R.T.	Ref. No.	Part No.	Description	Reqd. No.						Serial No.	Area code
					CBX 600Ed	CBX 650Ed	D	CB650SC E	F			
			13218-ME5-003	BEARING E, CONNECTING ROD (YELLOW) (NDC)					8			CM
			13218-ME5-004	BEARING E, CONNECTING ROD (YELLOW) (TAIHO)		8	8	8	8			
		8	13300-ME4-000	CRANKSHAFT COMP.	1							
			13300-ME5-670	CRANKSHAFT COMP.		1	1	1	1			
		9	13315-ME4-005	BEARING A, MAIN (BLUE)	10							
			13315-ME5-003	BEARING A, MAIN (BLUE) (NDC)					10			CM
			13315-ME5-004	BEARING A, MAIN (BLUE) (TAIHO)		10	10	10	10			
			13316-ME4-005	BEARING B, MAIN (BLACK)	10							
			13316-ME5-003	BEARING B, MAIN (BLACK) (NDC)					10			CM
			13316-ME5-004	BEARING B, MAIN (BLACK) (TAIHO)		10	10	10	10			
			13317-ME4-005	BEARING C, MAIN (BROWN)	10							
			13317-ME5-003	BEARING C, MAIN (BROWN) (NDC)					10			CM
			13317-ME5-004	BEARING C, MAIN (BROWN) (TAIHO)		10	10	10	10			

E 5

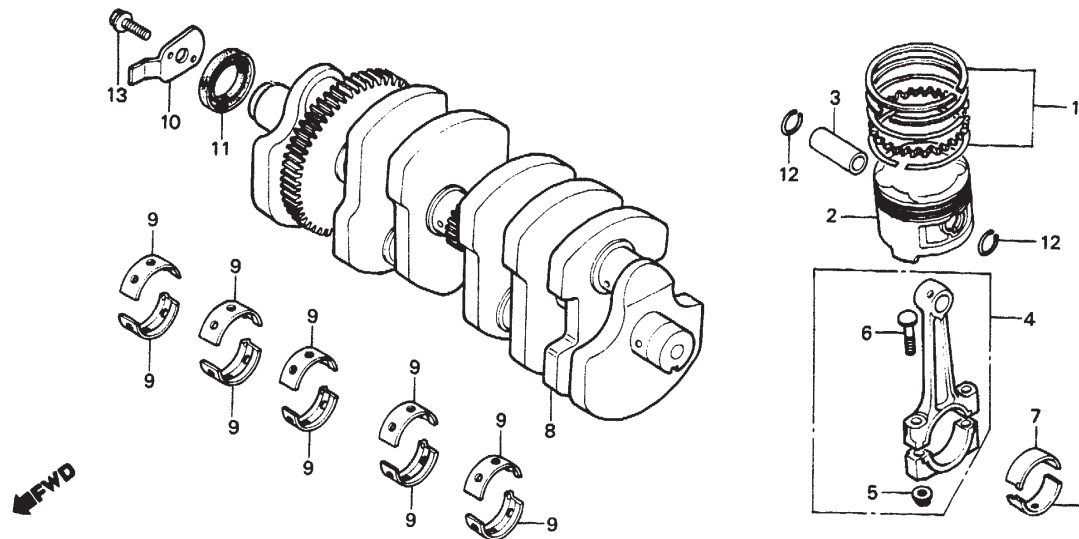
E-15

Crankshaft • Piston

Vilebrequin • Piston

Kurbelwelle • Kolben

Cigüeñal • Pistón



BME5-15

Service item	F.R.T.	Ref. No.	Part No.	Description	Reqd. No.						Serial No.	Area code
					CBX 600Ed	CBX 650Ed	D	E	CB650SC F			
			13318-ME4-005	BEARING D, MAIN (GREEN)	10							
			13318-ME5-003	BEARING D, MAIN (GREEN) (NDC)					10			CM
			13318-ME5-004	BEARING D, MAIN (GREEN)		10	10	10	10			
				(TAIHO)								
			13319-ME4-005	BEARING E, MAIN (YELLOW)	10							
			13319-ME5-003	BEARING E, MAIN (YELLOW) (NDC)					10			CM
			13319-ME5-004	BEARING E, MAIN (YELLOW)		10	10	10	10			
				(TAIHO)								
			13320-ME4-005	BEARING F, MAIN (PINK)	10							
			13320-ME5-003	BEARING F, MAIN (PINK) (NDC)					10			CM
			13320-ME5-004	BEARING F, MAIN (PINK) (TAIHO)		10	10	10	10			
		10	30291-ME5-000	ROTOR, PULSE GENERATOR	1	1	1	1	1			
			11	91201-323-005	OIL SEAL, 30X45X8	1	1	1	1	1		
			12	94601-15000	CLIP, PISTON PIN, 15MM	8	8	8	8	8		
			13	95700-10025-08	BOLT, FLANGE, 10X25	1	1	1	1	1		

E 6

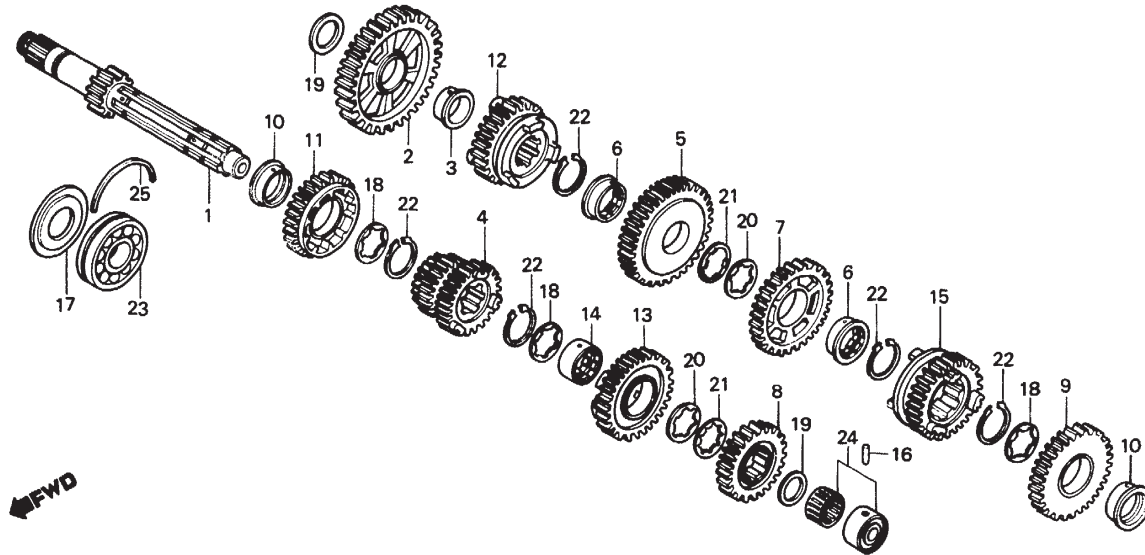
E-16

Transmission

Transmission

Getriebe

Transmisión



BME5-16

Service item	F.R.T.	Ref. No.	Part No.	Description	Reqd. No.						Serial No.	Area code
					CBX 600Ed	CBX 650Ed	D	E	F	CB650SC		
MAINSHAFT (INC. RELATIVE PART) • GEAR, COUNTERSHAFT LOW • GEAR, COUNTERSHAFT SECOND • GEAR, COUNTERSHAFT SIXTH (INC. RELATIVE PART) (WHEN SERVICING COMP., UNIT, F.R.T. IS 5.3.)	*5.1	1	23211-ME5-000	MAINSHAFT	1	1	1	1	1	2000455		
		2	23411-MA6-000	GEAR, COUNTERSHAFT LOW (36T)	1	1						
			23411-ME5-000	GEAR, COUNTERSHAFT LOW (36T)	1			1	1	2000456		
		3	23412-MA6-000	BUSH, 20MM	1	1	1	1	1			
		4	23431-ME5-000	GEAR, MAINSHAFT SECOND & THIRD (20T,21T)	1	1	1	1	1			
		5	23441-ME5-000	GEAR, COUNTERSHAFT SECOND (37T)	1	1	1	1	1			
		6	23442-ME5-000	COLLAR, SPLINE, 25MM	2	2	2	2		IT CM		
			23442-ME5-010	COLLAR, SPLINE, 25MM					2			
7	23451-ME5-000	GEAR, COUNTERSHAFT THIRD (30T)	1	1	1	1	1					
8	23461-ME5-000	GEAR, MAINSHAFT FOURTH (26T)	1	1	1	1	1					



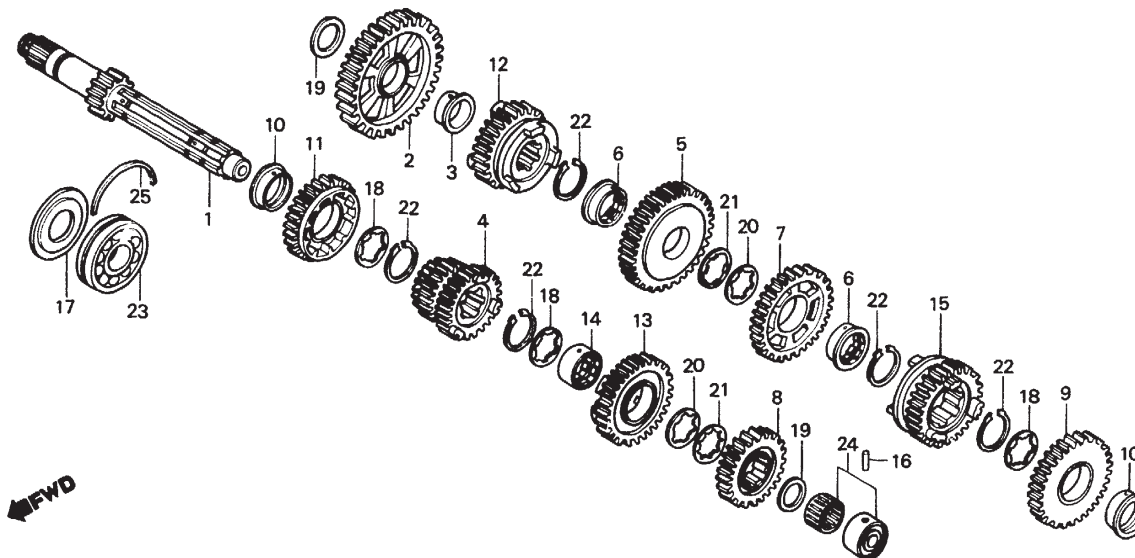
E-16

Transmission

Transmission

Getriebe

Transmisión



BME5-16

Service item	F.R.T.	Ref. No.	Part No.	Description	Reqd. No.					Serial No.	Area code
					CBX 600Ed	CBX 650Ed	CB650SC D	E	F		
		9	23471-ME5-000	GEAR, COUNTERSHAFT FOURTH	1	1	1	1	1		
		10	23472-ME5-000	BUSH, 25X9.5	2	2	2	2	2		
		11	23481-ME5-000	GEAR, MAINSHAFT FIFTH (29T)	1	1	1	1	1		
		12	23491-ME5-000	GEAR, COUNTERSHAFT FIFTH (28T)		1	1			2000455	
			23491-ME5-010	GEAR, COUNTERSHAFT FIFTH (28T)	1			1	1	2000456	
		13	23501-ME5-000	GEAR, MAINSHAFT SIXTH (28T)		1	1	1	1		CM,U
			23501-ME5-600	GEAR, MAINSHAFT SIXTH (28T)	1	1					ED,F,IT,SD,1G,2G
		14	23505-ME5-000	COLLAR, SPLINE, 25MM	1	1	1	1	1		
		15	23511-ME5-000	GEAR, COUNTERSHAFT SIXTH (23T)	1	1	1	1	1		
		16	24261-283-000	PIN, GEARSHIFT FORK GUIDE	1	1	1	1	1		
		17	90433-ME5-000	WASHER, THRUST, 25MM	1	1	1	1	1		

E 8

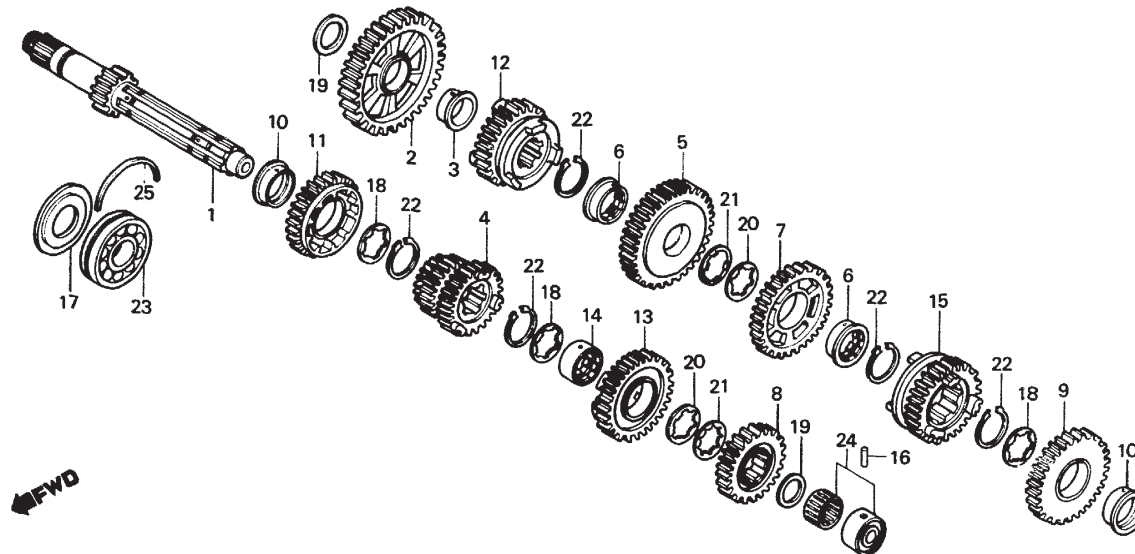
E-16

Transmission

Transmission

Getriebe

Transmisión



BME5-16

Service item	F.R.T.	Ref. No.	Part No.	Description	Reqd. No.						Serial No.	Area code
					CBX 600Ed	CBX 650Ed	D	CB650SC E	F			
		*18	90451-371-000	WASHER, THRUST, 25MM	3	3	3					CM,SD,2G ED,F,U,1G
		*	90451-413-000	WASHER, THRUST, 25MM		3		3			2024657 2109106	ED,F,U,1G
									3		2024658 2109107	ED,F,U,1G
		19	90454-428-000	WASHER, THRUST, 20MM	2	2	2	2	2			
			90468-ME5-000	WASHER, THRUST, 20X0.8	1	1	1	1	1			
			90469-ME5-000	WASHER, THRUST, 20X0.9	1	1	1	1	1			
		20	90461-286-000	WASHER B, THRUST, 25MM	2	2	2	2	2			
		21	90462-323-000	WASHER, LOCK, 25MM	2	2	2	2	2			
		22	90601-300-000	CIRCLIP, 25MM	5	5	5	5	5			
		23	91002-300-004	BEARING, SPECIAL BALL, 6205	1	1	1	1	1			
			91002-300-008	BEARING, SPECIAL BALL, 6205	1	1	1	1	1			
		24	91022-ME5-008	BEARING, NEEDLE, 20MM (TOYO)	1	1	1	1	1			
		25	95015-25200	SET RING, 520	1	1	1	1	1			

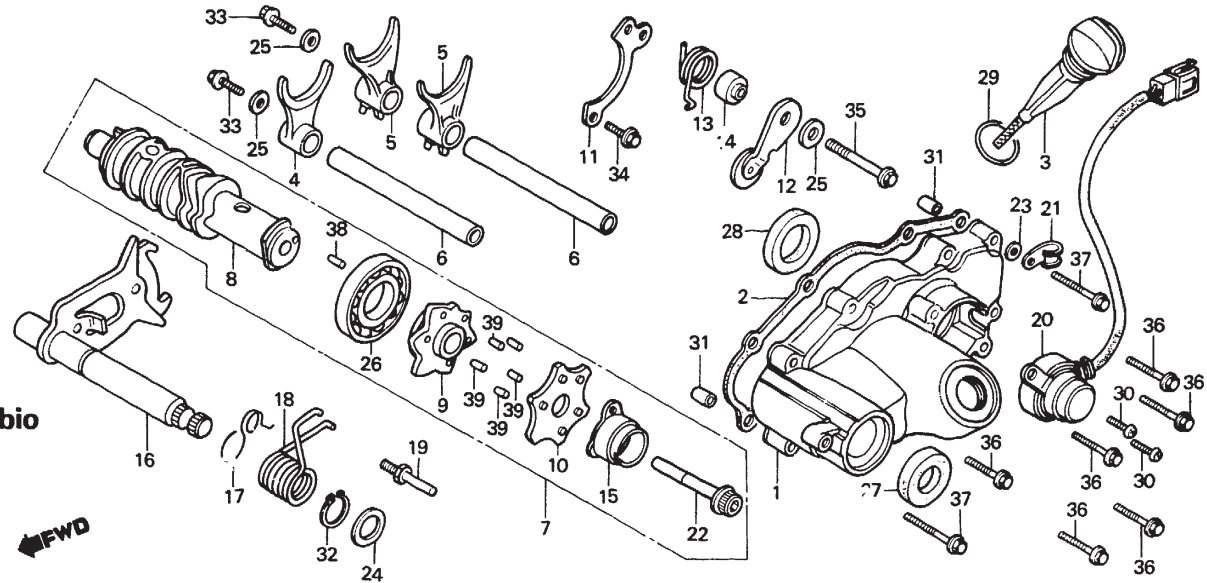
E-17

Shift drum • Shift fork

**Tambour de changement de vitesse •
Fourchette de changement**

Schalwaize • Schaltgabel

Tambor de cambio • Horquilla de cambio



BME5-17

Service item	F.R.T.	Ref. No.	Part No.	Description	Reqd. No.						Serial No.	Area code
					CBX 600Ed	CBX 650Ed	D	E	F	CB650SC		
COVER, CHANGE	0.5	1	11351-ME5-000	COVER, CHANGE	1	1	1	1	1			
• STOPPER COMP., GEARSHIFT DRUM (INC. RELATIVE PART)		2	11359-ME5-000	GASKET, CHANGE COVER	1	1	1	1	1			
• SPINDLE COMP., GEARSHIFT (INC. RELATIVE PART)		3	15650-ME5-000	GAUGE, OIL LEVEL	1	1	1	1	1			
• GASKET, CHANGE COVER	0.4	4	24211-ME5-000	FORK, MAINSHAFT GEARSHIFT	1	1	1	1	1			
• OIL SEAL, 14X28X7		5	24221-ME5-000	FORK, COUNTERSHAFT GEARSHIFT	2	2	2	2	2			
• OIL SEAL, 25X37X5		6	24231-ME5-000	SHAFT, GEARSHIFT FORK	2	2	2	2	2			
FORK, MAINSHAFT GEARSHIFT (INC. RELATIVE PART)	*5.2	7	24300-ME5-000	DRUM ASSY., GEARSHIFT	1	1	1	1	1			
(ONE OR ALL)		8	24301-ME5-000	DRUM, GEARSHIFT	1	1	1	1	1			
DRUM ASSY., GEARSHIFT	*5.3	9	24302-ME5-000	CENTER, GEARSHIFT DRUM	1	1	1	1	1			
CENTER, GEARSHIFT DRUM	0.6	10	24303-ME5-000	PLATE, DRUM CENTER	1	1	1	1	1			
• PLATE, DRUM CENTER		11	24307-ME5-000	PLATE, GEARSHIFT DRUM SETTING	1	1	1	1	1			
SWITCH ASSY., CHANGE	0.3											

E 10

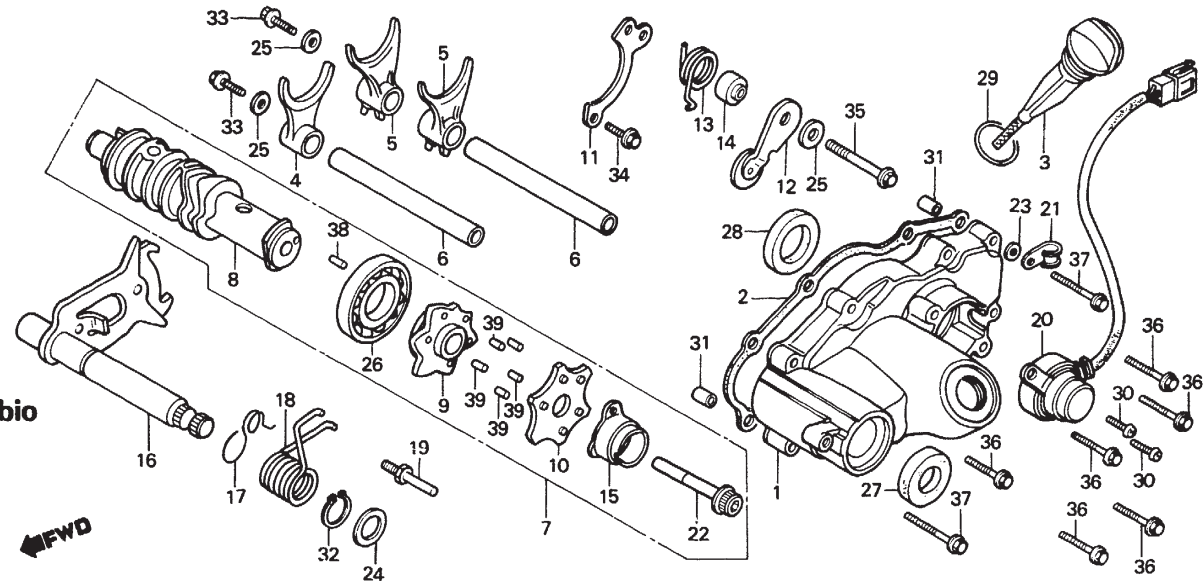
E-17

Shift drum • Shift fork

Tambour de changement de vitesse •
Fourchette de changement

Schalwaize • Schaltgabel

Tambor de cambio • Horquilla de cambio



BME5-17

Service item	F.R.T.	Ref. No.	Part No.	Description	Reqd. No.						Serial No.	Area code
					CBX 600Ed	CBX 650Ed	D	E	F	CB650SC		
		12	24430-MA6-000	STOPPER COMP., GEARSHIFT DRUM	1	1	1	1	1			
		13	24435-ME5-000	SPRING, GEARSHIFT DRUM STOPPER	1	1	1	1	1			
		14	24437-MA6-000	COLLAR, GEARSHIFT DRUM STOPPER	1	1	1	1	1			
		15	24443-ME5-000	JOINT, GEARSHIFT DRUM	1	1	1	1	1			
		16	24610-ME5-000	SPINDLE COMP., GEARSHIFT	1	1	1	1	1			
		17	24624-MA6-000	SPRING, GEARSHIFT RESET	1	1	1	1	1			
		18	24651-107-000	SPRING, GEARSHIFT RETURN	1	1	1	1	1			
		19	24652-259-000	PIN, SHIFT RETURN SPRING	1	1	1	1	1			
		20	35759-ME5-000	SWITCH ASSY., CHANGE			1	1	1			
			35759-ME5-003	SWITCH ASSY., CHANGE	1				1		IT CM,SD	

E 11

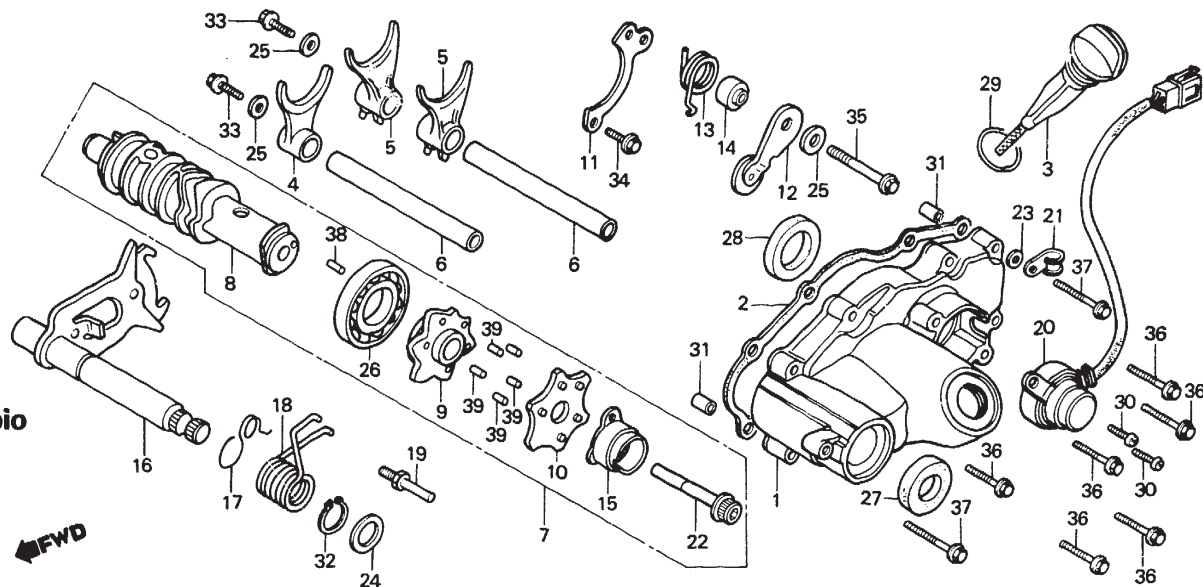
E-17

Shift drum • Shift fork

Tambour de changement de vitesse •
Fourchette de changement

Schalwaize • Schaltgabel

Tambor de cambio • Horquilla de cambio



BME5-17

Service item	F.R.T.	Ref. No.	Part No.	Description	Reqd. No.			Serial No.	Area code
					CBX 600Ed	CBX 650Ed	CB650SC D E F		
		21	35763-ME5-000	CLAMP, CHANGE SWITCH CORD	1	1	1	1	1
		22	90064-ME5-000	BOLT, FLANGE SOCKET, 8X42	1	1	1	1	1
		23	90425-300-000	WASHER, 11MM	2	2	2	2	2
		24	90451-115-000	WASHER, 14.2MM	1	1	1	1	1
		25	90487-MB0-000	WASHER, SHIFT DRUM STOPPER	3	3	3	3	3
		26	91008-374-003	BEARING, BALL, 16005 (TOYO)	1	1	1	1	1
		27	91206-MA6-003	OIL SEAL, 14X28X7 (ARAI)	1	1	1	1	1
			91206-MA6-005	OIL SEAL, 14X28X7 (NIPPON)	1	1	1	1	1
		28	91208-ME5-005	OIL SEAL, 25X37X5 (NIPPON)	1	1	1	1	1
		29	91307-425-003	O-RING, 21.5X3.2	1	1	1	1	1
		30	93500-06014-0A	SCREW, PAN, 6X14	2	2	2	2	2
		31	94301-08140	PIN, DOWEL, 8X14	2	2	2	2	2

E 12

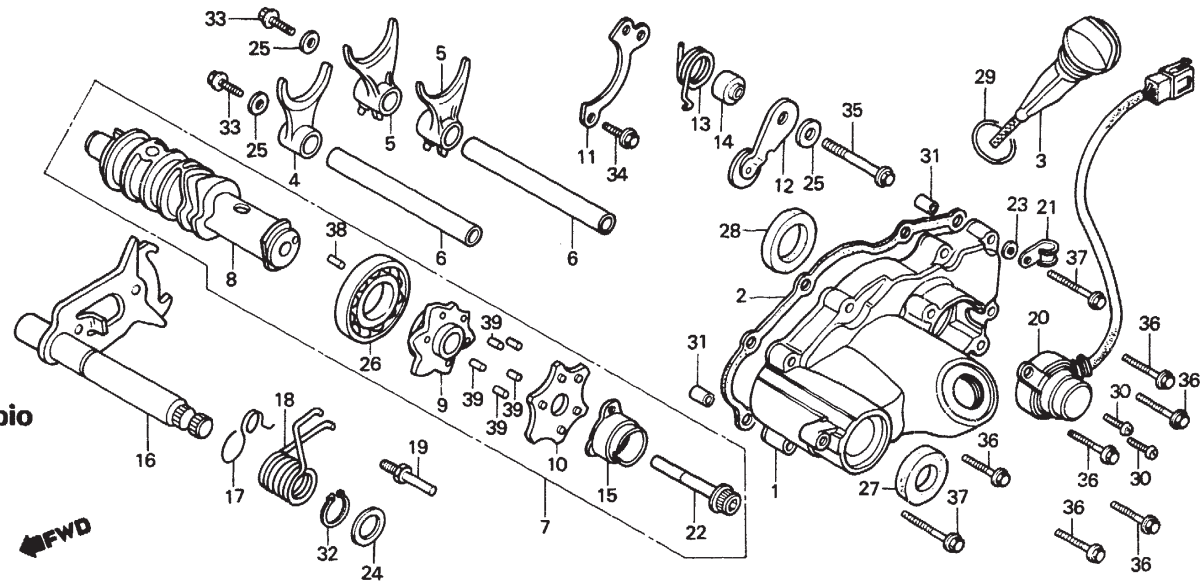
E-17

Shift drum • Shift fork

**Tambour de changement de vitesse •
Fourchette de changement**

Schalwaize • Schaltgabel

Tambor de cambio • Horquilla de cambio



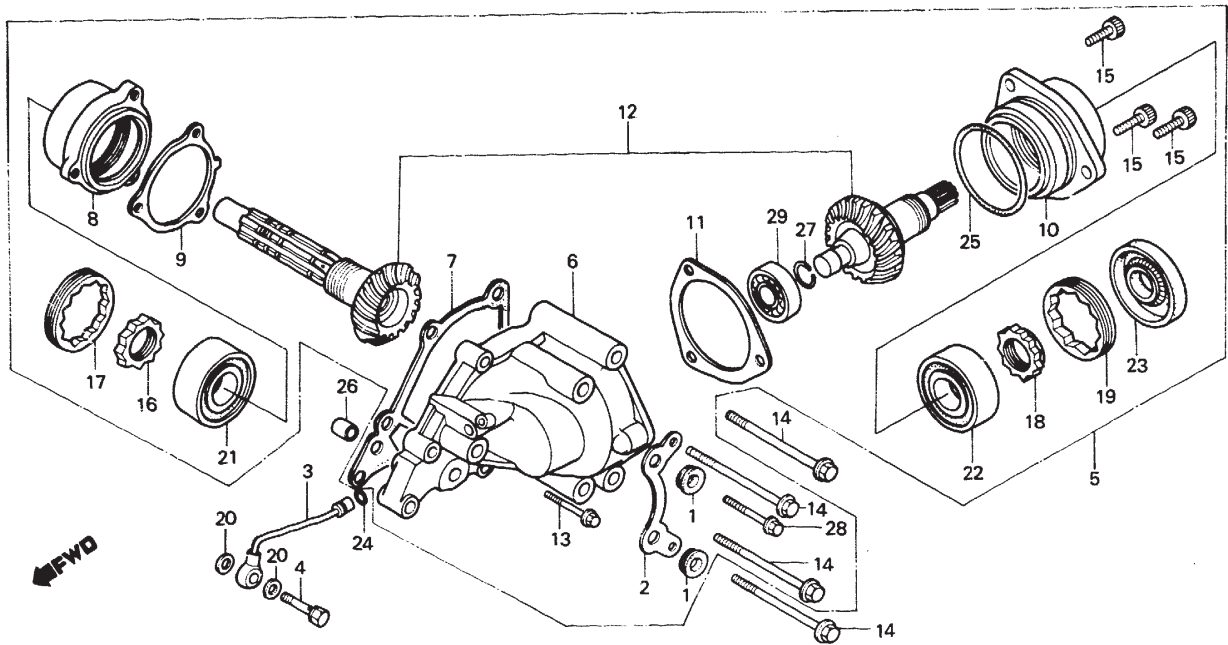
BME5-17

Service item	F.R.T.	Ref. No.	Part No.	Description	Reqd. No.						Serial No.	Area code
					CBX 600Ed	CBX 650Ed	CB650SC D	E	F			
		32	94510-14000	CIRCLIP, EXTERNAL, 14MM	1	1	1	1	1			
		33	95700-06014-08	BOLT, FLANGE, 6X14	2	2	2	2	2			
		34	95700-06016-08	BOLT, FLANGE, 6X16	2	2	2	2	2			
		35	95800-06032-08	BOLT, FLANGE, 6X32	1	1	1	1	1			
		36	96000-06028-00	BOLT, FLANGE, 6X28	6	6	6	6	6			
		37	96000-06035-00	BOLT, FLANGE, 6X35	2	2	2	2	2			
		38	96220-40130	ROLLER, 4X13	1	1	1	1	1			
		39	96220-40148	ROLLER, 4X14.8	5	5	5	5	5			

E 13

E-18

Cross shaft
Arbre de traverse
Ouerwelle
Ejetransversal



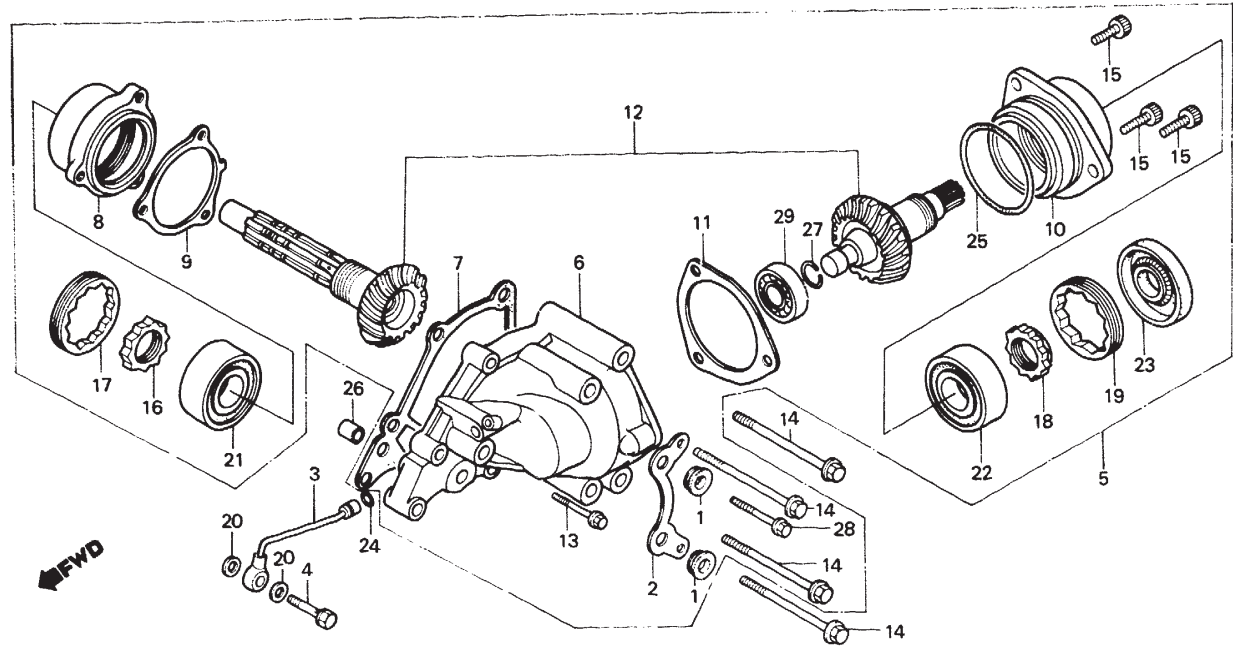
BME5-18

Service item	F.R.T.	Ref. No.	Part No.	Description	Reqd. No.						Serial No.	Area code
					CBX 600Ed	CBX 650Ed	D	E	F	CB650SC		
PIPE COMP., TRANSMISSION OIL	0.3	1	11345-MB0-000	GROMMET B, RR. COVER	2	2	2	2	2			
CASE ASSY., SIDE GEAR	*5.1	2	11363-ME5-000	STAY, L. SIDE COVER (A)	1	1	1	1	1			
CASE COMP., SIDE GEAR	1.9	3	15560-ME5-000	PIPE COMP., TRANSMISSION OIL	1	1	1	1	1			
GASKET, SIDE GEAR CASE	1.2	4	15566-ME5-000	BOLT, OIL CONTROL, 8X41	1	1	1	1	1			
HOLDER, COUNTERSHAFT BEARING	*5.6	5	21100-ME5-000	CASE ASSY., SIDE GEAR	1						4000208	
HOLDER, CROSS SHAFT BEARING	2.3				1	1					2015829	
SHAFT SET, CROSS	*6.1				1						3000671	
BEARING, RADIAL BALL, 5206	*5.4		21100-ME5-010	CASE ASSY., SIDE GEAR	1						4000209	
BEARING, BALL, 62/28	1.6				1	1					2015830	
OIL SEAL, 25X61X8.5	1.4				1						3000672	
BEARING, RADIAL BALL, 6302	1.8							1				
			21100-ME5-770	CASE ASSY., SIDE GEAR								
											IT	
											CM	
		6	21200-ME5-000	CASE COMP., SIDE GEAR	1	1	1	1	1			
		7	21291-ME5-000	GASKET, SIDE GEAR CASE	1	1	1	1	1			

E 14

E-18

Cross shaft
 Arbre de traverse
 Querwelle
 Ejetransversal



BME5-18

Service item	F.R.T.	Ref. No.	Part No.	Description	Reqd. No.						Serial No.	Area code
					CBX 600Ed	CBX 650Ed	D	CB650SC E	F			
		8	21301-ME5-000	HOLDER, COUNTERSHAFT BEARING	1	1	1	1	1			
		9	21321-ME5-000	SHIM, COUNTERSHAFT (0.4)	1	1	1	1	1			
			21322-ME5-000	SHIM, COUNTERSHAFT (0.45)	1	1	1	1	1			
			21323-ME5-000	SHIM, COUNTERSHAFT (0.5)	1	1	1	1	1			
			21324-ME5-000	SHIM, COUNTERSHAFT (0.55)	1	1	1	1	1			
			21325-ME5-000	SHIM, COUNTERSHAFT (0.6)	1	1	1	1	1			
		10	21371-ME5-000	HOLDER, CROSS SHAFT BEARING	1						4000208	
						1	1				2015829	CM,ED,F,U,1G
						1					3000671	2G
			21371-ME5-010	HOLDER, CROSS SHAFT BEARING	1						4000209	
						1	1				2015830	CM,ED,F,U,1G
						1					3000672	2G
		11	21381-ME5-000	SHIM, CROSS SHAFT (0.2)	1	1	1	1	1			

E 15

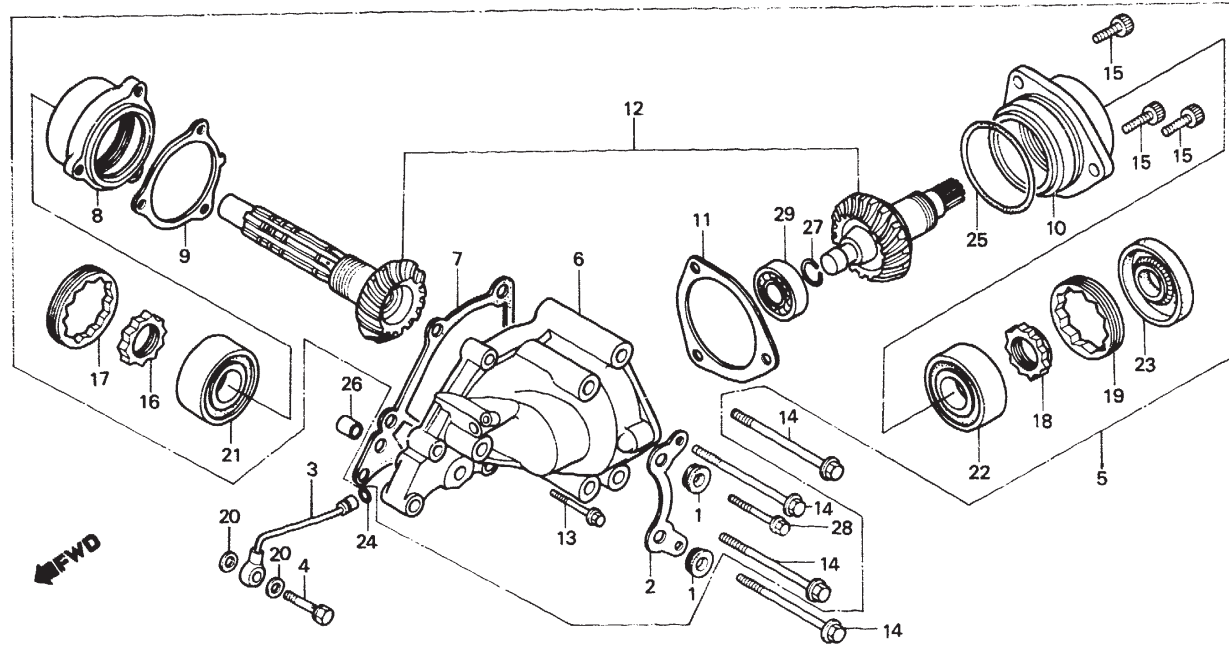
E-18

Cross shaft

Arbre de traverse

Ouerwelle

Ejetransversal



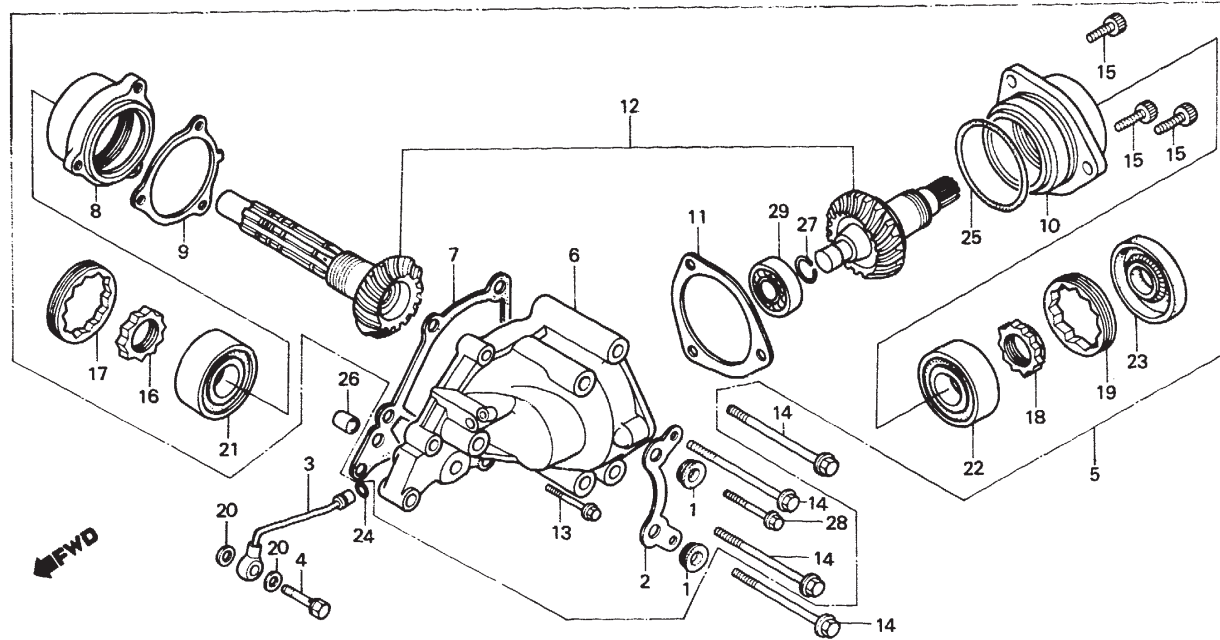
BME5-18

Service item	F.R.T.	Ref. No.	Part No.	Description	Reqd. No.						Serial No.	Area code
					CBX 600Ed	CBX 650Ed	D	E	F	CB650SC		
			21382-ME5-000	SHIM, CROSS SHAFT (0.25)	1	1	1	1	1			
			21383-ME5-000	SHIM, CROSS SHAFT (0.3)	1	1	1	1	1			
			21384-ME5-000	SHIM, CROSS SHAFT (0.35)	1	1	1	1	1			
			21385-ME5-000	SHIM, CROSS SHAFT (0.4)	1	1	1	1	1			
			21386-ME5-000	SHIM, CROSS SHAFT (0.45)	1	1	1	1	1			
			21387-ME5-000	SHIM, CROSS SHAFT (0.50)	1	1	1	1	1			
		12	23200-ME5-000	SHAFT SET, CROSS	1	1	1	1				
			23200-ME5-770	SHAFT SET, CROSS								IT CM
		13	90045-ME5-000	BOLT, UBS, 8X55	1	1	1	1	1			
		14	90046-ME5-000	BOLT, UBS, 8X87	4	4	4	4	4			
		15	90061-MB0-000	BOLT, SOCKET, 8X22	3	3	3	3	3			
		16	90241-MB0-000	NUT, LOCK, 30MM	1	1	1	1	1			
		17	90242-MB0-000	NUT, LOCK, 64MM	1	1	1	1	1			

E 16

E-18

Cross shaft
Arbre de traverse
Ouerwelle
Ejetransversal



BME5-18

Service item	F.R.T.	Ref. No.	Part No.	Description	Reqd. No.						Serial No.	Area code
					CBX 600Ed	CBX 650Ed	D	E	F	CB650SC		
		18	90243-ME5-000	NUT, LOCK, 28MM	1	1	1	1	1	1		
		19	90244-ME5-000	NUT, LOCK, 60MM	1	1	1	1	1	1		
		20	90475-703-000	WASHER (C), 8MM	2	2	2	2	2	2		
		21	91012-MB0-003	BEARING, RADIAL BALL, 5206	1	1	1	1	1	1		
		22	91014-ME5-008	BEARING, BALL, 62/28 (TOYO)	1	1	1	1	1	1		
		23	91205-ME5-005	OIL SEAL, 25X61X8.5 (NIPPON)			1	1				2008477
			91205-ME5-003	OIL SEAL, 25X61X8.5 (ARAI)	1				1	1		2008478
		24	91304-ME5-003	O-RING, 5.1X2.2 (ARAI)	1	1	1	1	1	1		
		25	91362-461-000	O-RING, 70X3.0	1	1	1	1	1	1		
		26	94301-10160	PIN, DOWEL, 10X16	1	1	1	1	1	1		
		27	94601-13000	CLIP, PISTON PIN, 13MM	1	1	1	1	1	1		
		28	95700-06032-00	BOLT, FLANGE, 6X32	2	2	2	2	2	2		
		29	96100-63020-00	BEARING, RADIAL BALL, 6302	1	1	1	1	1	1		

F 1

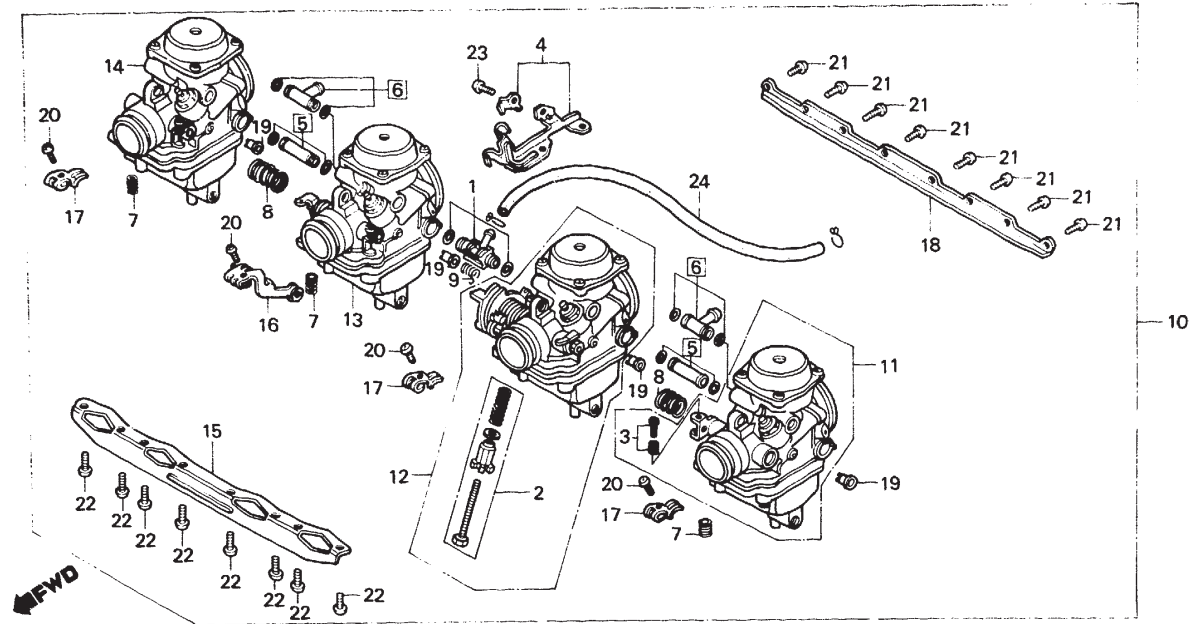
E-19

**Carburetor
(Assy.)**

**Carburateur
(Ens.)**

**Vergaser
(Kompl.)**

**Carburador
(Ens.)**



BME5-19

Service item	F.R.T.	Ref. No.	Part No.	Description	Reqd. No.					Serial No.	Area code
					CBX 600Ed	CBX 650Ed	D	E	F		
JOINT SET, FUEL (ADD 0.2 FOR EACH.)	0.9	1	16026-MA6-003	JOINT SET	1	1	1	1	1		
		2	16028-MA6-003	SCREW SET	1	1	1	1	1		
CARBURETOR ASSY.	0.7	3	16029-KE8-004	SCREW SET C	3	3	3	3	3		
CARBURETOR ASSY. 1 (ADD 0.2 FOR EACH.)	1.0	4	16035-ME4-671	PLATE SET, STAY	1						
			16035-ME5-671	PLATE SET, STAY	1	1	1	1			
		5	16042-ME4-671	JOINT SET, FUEL	2						
			16042-ME5-671	JOINT SET, FUEL	2	2	2	2	2		
		6	16047-MA6-003	JOINT SET, FUEL		2	2	2	2		
			16047-ME4-671	JOINT SET, FUEL	2						
		7	16052-MB0-671	SPRING	3	3	3	3	3		
		8	16053-MA6-003	SPRING	2	2	2	2	2		
		9	16054-MA6-003	SPRING	1	1	1	1	1		
		10	16100-ME4-642	CARBURETOR ASSY.	1						
			16100-ME5-612	CARBURETOR ASSY.		1			1		ED,F,IT,1G
			16100-ME5-721	CARBURETOR ASSY.		1	1	1	1		CM,U
			16100-ME5-782	CARBURETOR ASSY.		1					2G
		11	16101-ME4-641	CARBURETOR ASSY. 1	1						
			16101-ME5-611	CARBURETOR ASSY. 1		1				VE54B	ED,F,1G

F 2

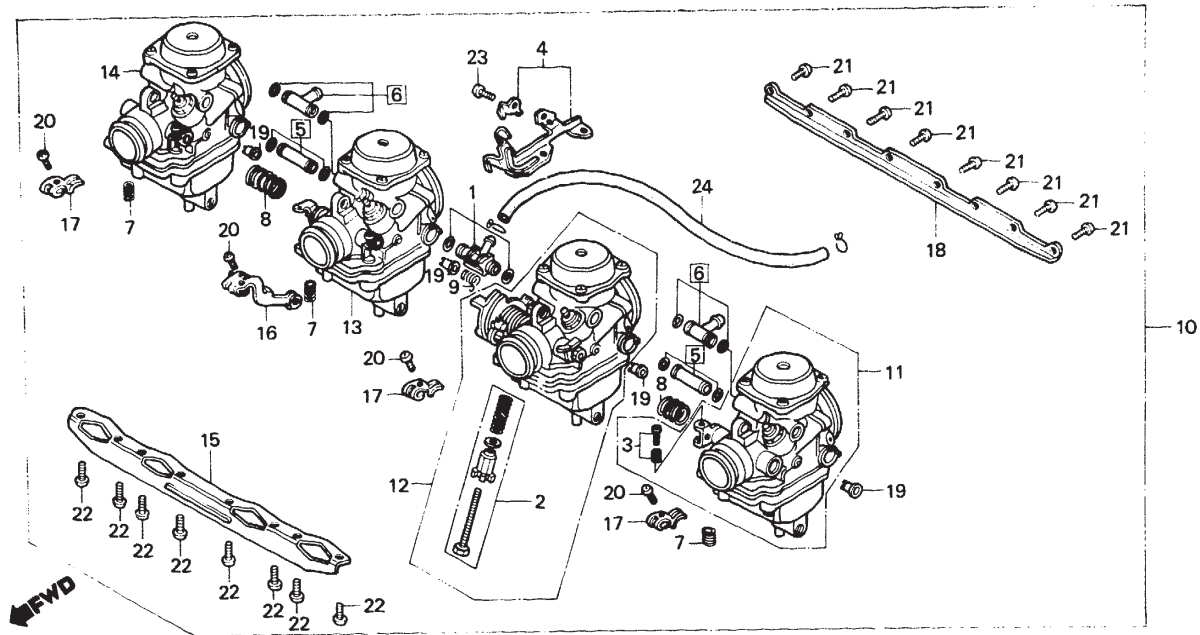
E-19

**Carburetor
(Assy.)**

**Carburateur
(Ens.)**

**Vergaser
(Kom.)**

**Carburador
(Ens.)**



BME5-19

Service item	F.R.T.	Ref. No.	Part No.	Description	Reqd. No.						Serial No.	Area code
					CBX 600Ed	CBX 650Ed	CB650SC D	E	F			
			16101-ME5-721	CARBURETOR ASSY. 1		1					VE54D	U
			16101-ME5-781	CARBURETOR ASSY. 1		1	1				VE54E	2G
		*	16101-ME5-612	CARBURETOR ASSY. 1		1				VE54B	ED,F,1G IT	
		*	16101-ME5-722	CARBURETOR ASSY. 1		1		1		VE54D	U CM	
		*	16101-ME5-782	CARBURETOR ASSY. 1		1				VE54E	2G	
		12	16102-ME4-641	CARBURETOR ASSY. 2	1						VE54B	ED,F,1G
			16102-ME5-611	CARBURETOR ASSY. 2		1					VE54D	U
			16102-ME5-721	CARBURETOR ASSY. 2			1	1			VE54E	2G
		*	16102-ME5-781	CARBURETOR ASSY. 2		1				VE54B	ED,F,1G IT	
		*	16102-ME5-612	CARBURETOR ASSY. 2		1		1		VE54D	U CM	
		*	16102-ME5-722	CARBURETOR ASSY. 2		1			1	VE54E	2G	
		*	16102-ME5-782	CARBURETOR ASSY. 2		1					VE54B	ED,F,1G
		13	16103-ME4-641	CARBURETOR ASSY. 3	1						VE54B	IT
			16103-ME5-611	CARBURETOR ASSY. 3		1			1		VE54B	ED,F,1G IT

F 3

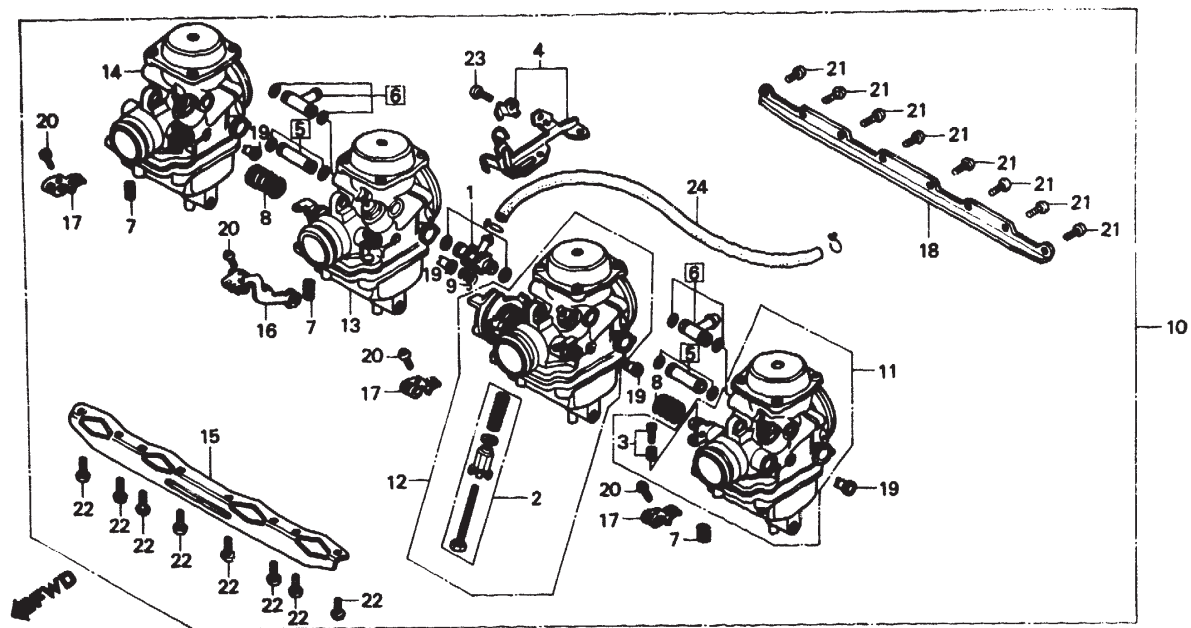
E-19

**Carburetor
(Assy.)**

**Carburateur
(Ens.)**

**Vergaser
(Kompl.)**

**Carburador
(Ens.)**



BME5-19

Service item	F.R.T.	Ref. No.	Part No.	Description	Reqd. No.						Serial No.	Area code
					CBX 600E	CBX 650E	D	E	F	CB650SC		
			16103-ME5-721	CARBURETOR ASSY. 3	1						VE54D	U
			16103-ME5-781	CARBURETOR ASSY. 3	1		1	1	1		VE54E	CM
		*	16103-ME5-612	CARBURETOR ASSY. 3	1					VE54B	ED,F,1G	
		*	16103-ME5-722	CARBURETOR ASSY. 3	1				1	VE54D	IT	
		*	16103-ME5-782	CARBURETOR ASSY. 3	1					VE54E	U	
		*	16104-ME4-641	CARBURETOR ASSY. 4	1					VE54E	CM	
			16104-ME5-611	CARBURETOR ASSY. 4	1					VE54B	2G	
			16104-ME5-721	CARBURETOR ASSY. 4	1		1	1		VE54D	ED,F,1G	
										VE54E	U	
		*	16104-ME5-781	CARBURETOR ASSY. 4	1					VE54E	2G	
		*	16104-ME5-612	CARBURETOR ASSY. 4	1				1	VE54B	ED,F,1G	
		*	16104-ME5-722	CARBURETOR ASSY. 4	1				1	VE54D	IT	
		*	16104-ME5-782	CARBURETOR ASSY. 4	1				1	VE54E	U	
			16119-ME4-671	STAY, PLATE	1						CM	
		15	16119-ME5-671	STAY, PLATE	1		1	1	1		2G	

F 4

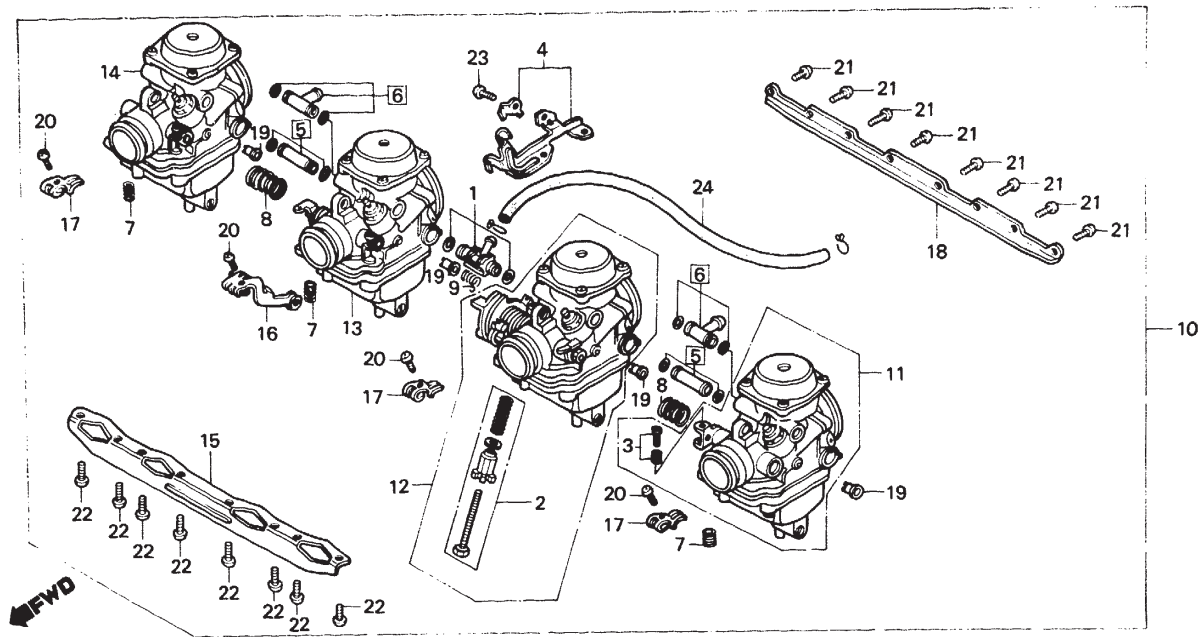
E-19

**Carburetor
(Assy.)**

**Carburateur
(Ens.)**

**Vergaser
(Kompl.)**

**Carburador
(Ens.)**



BME5-19

Service item	F.R.T.	Ref. No.	Part No.	Description	Reqd. No.						Serial No.	Area code
					CBX 600Ed	CBX 650Ed	CB650SC D	E	F			
		16	16120-MA6-003	LEVER, STARTER	1							
			16120-ME5-671	LEVER, STARTER	1	1	1	1				
		17	16121-MA6-003	LEVER, STARTER	3	3	3	3	3			
		18	16129-ME4-671	PLATE, STAY	1							
			16129-ME5-671	STAY, PLATE	1	1	1	1				
		19	16172-MA6-003	COLLAR, SETTING	4		4	4				
					4						VE54B	ED,F,1G
					4						VE54D	U
					4						VE54E	2G
		20	93500-04008-1A	SCREW, PAN, 4X8	4	4	4	4	4			
		21	93500-05010-0A	SCREW, PAN, 5X10	8	8	8	8	8			
		22	93500-06012-0A	SCREW, PAN, 6X12	8	8	8	8	8			
		23	93892-04012-00	SCREW-WASHER, 4X12	1	1	1	1	1			
		24	95003-19025-31	TUBE, VINYL, 7X11X250	2	2	2	2	2			

F 5

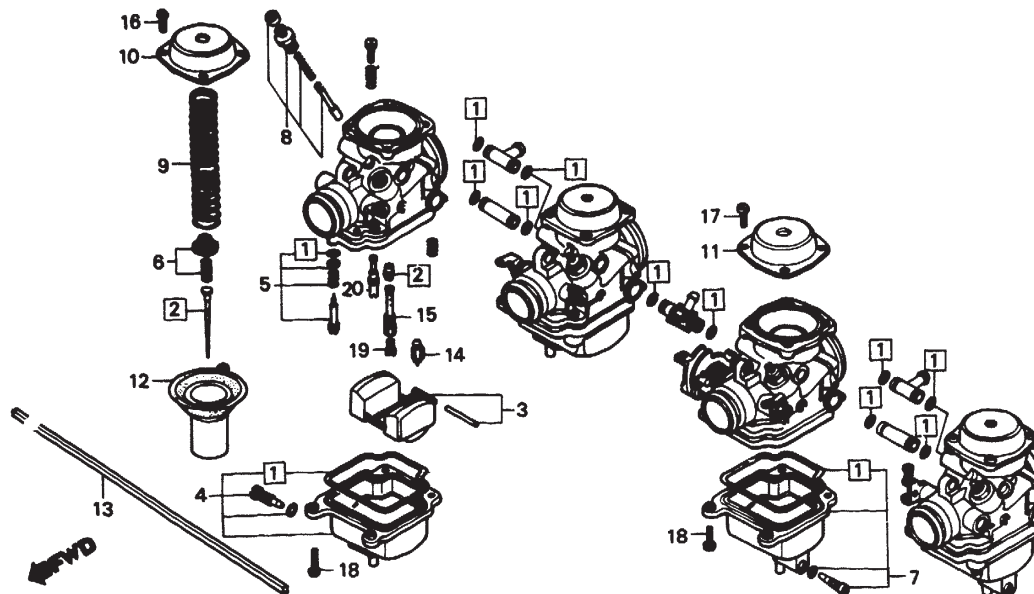
E-19-1

**Carburetor
(Component parts)**

**Carburateur
(Pièces composants)**

**Vergaser
(Einzelteile)**

**Carburador
(Piezas Componentes)**



BME5-20

Service item	F.R.T.	Ref. No.	Part No.	Description	Reqd. No.					Serial No.	Area code
					CBX 600Ed	CBX 650Ed	CB650SC D	E	F		
GASKET SET (ADD 0.4 FOR EACH.)	1.4	1	16010-MA6-003	GASKET SET	4	4	4	4	4		
NEEDLE SET, JET (ADD 0.3 FOR EACH.)	0.6	2	16012-ME4-641 16012-ME5-611 16012-ME5-671	NEEDLE SET, JET NEEDLE SET, JET NEEDLE SET, JET	4				4	VE54D A	ED,F,IT,1G,2G U
FLOAT SET (ADD 0.2 FOR EACH.)	0.8	*	16012-ME5-721	NEEDLE SET, JET			4	4		VE54D B	U CM
VALVE COMP., FLOAT (ADD 0.2 FOR EACH.)		3	16013-MA6-003	FLOAT SET	4	4	4	4	4		
CHAMBER SET, FLOAT (L. SIDE 0.5)	0.2	4	16015-MA6-003	CHAMBER SET, FLOAT	2	2	2	2	2		
(ADD 0.2 FOR EACH.) VALVE SET, STARTER	0.3	5	16016-MA6-003 16016-ME6-003	SCREW SET SCREW SET A	4	4	4	4	4		
(ADD 0.1 FOR EACH.) (WHEN SERVICING COMP., UNIT, F.R.T. IS 0.5.)		6	16037-MA6-003 16037-ME5-671	PLATE SET, VALVE PLATE SET, VALVE	4		4	4	4		
VALVE, THROTTLE (ADD 0.2 FOR EACH.)	0.4	7	16045-ME5-671	CHAMBER SET, FLOAT	2	2	2	2	2		
ROD		8	16046-ME4-671 16046-ME5-671	VALVE SET, STARTER VALVE SET, STARTER	4		4	4	4		
JET, MAIN, (L. SIDE 0.6)		9	16051-ME4-671 16051-ME5-671	SPRING SPRING	4		4	4	4		
(ADD 0.2 FOR EACH.)		10	16107-MA6-003 16107-ME5-671	TOP COMP. TOP COMP.	2		2	2	2		

F 6

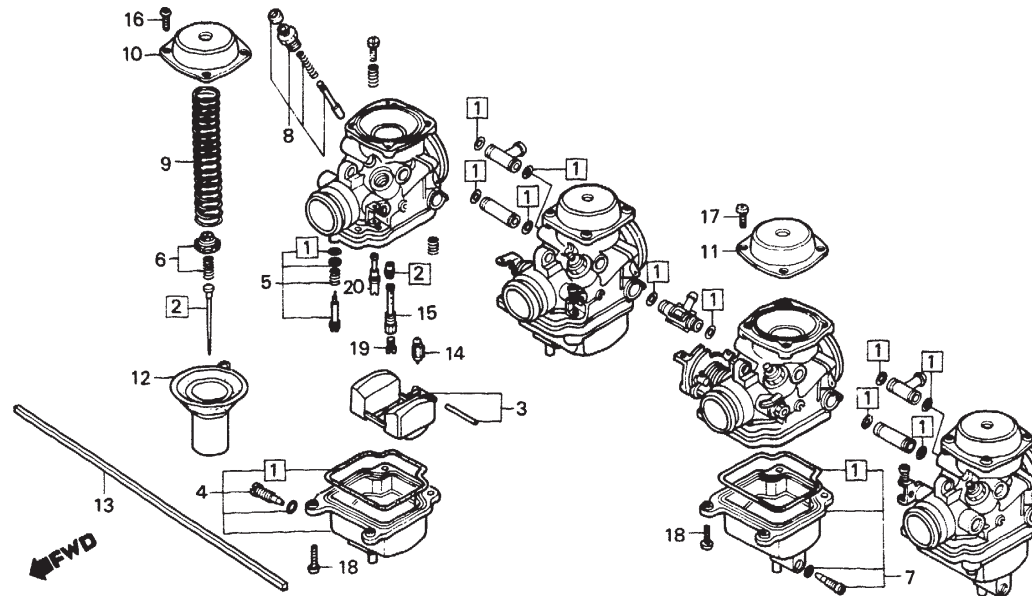
E-19-1

**Carburetor
(Component parts)**

**Carburateur
(Pièces composants)**

**Vergaser
(Einzelteile)**

**Carburador
(Piezas Componentes)**



BME5-20

Service item	F.R.T.	Ref. No.	Part No.	Description	Reqd. No.				Serial No.	Area code
					CBX 600Ed	CBX 650Ed	CB660SC D	E F		
		11	16108-MA6-003	TOP COMP.	2					
			16108-ME5-671	TOP COMP.	2	2	2	2		
		12	16111-ME4-641	VALVE, THROTTLE	4			4		ED,F,IT,1G
			16111-ME5-611	VALVE, THROTTLE	4	4	4	4		CM,U,2G
			16111-ME5-671	VALVE, THROTTLE	4	4	4	4		
		13	16145-ME4-671	ROD	1					ED,F,1G
			16145-ME5-671	ROD	1				VE54B A	U
					1				VE54D A	2G
					1				VE54E A	
			16145-MJ1-671	ROD	1	1	1		VE54B B	ED,F,1G
					1				VE54D B	U
					1				VE54E B	2G
		14	16155-413-751	VALVE COMP., FLOAT	4	4	4	4	4	
		15	16165-449-771	HOLDER, NEEDLE JET	4	4	4	4	4	
		16	93500-04008-0A	SCREW, PAN, 4X8	14	14	14	14	14	
		17	93500-04010-0A	SCREW, PAN, 4X10	2	2	2	2	2	
		18	93500-04014-0A	SCREW, PAN, 4X14	16	16	16	16	16	
		19	99101-393-1100	JET, MAIN, #110	4					



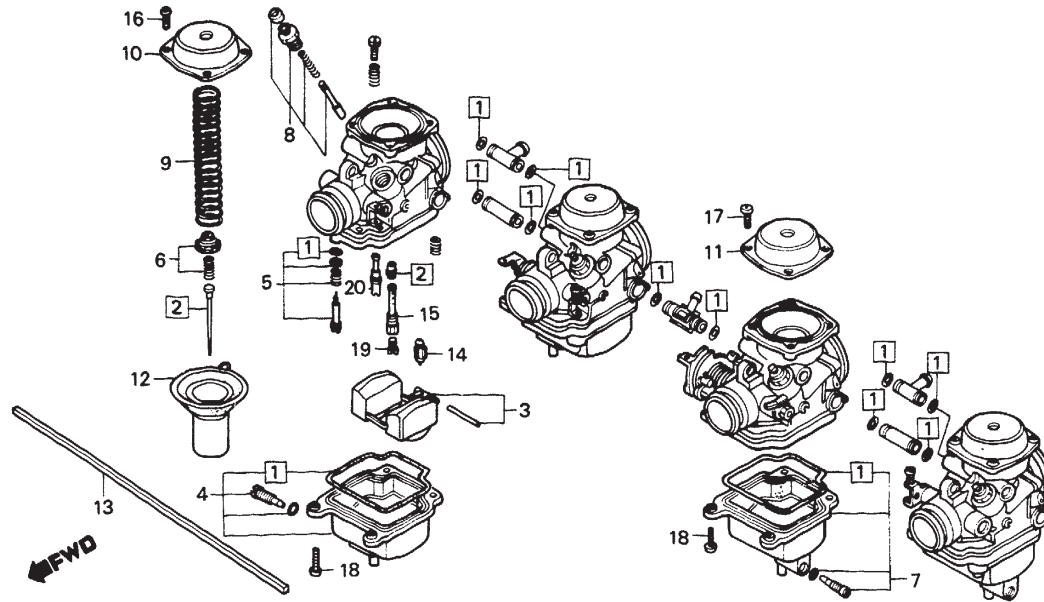
E-19-1

**Carburetor
(Component parts)**

**Carburateur
(Pièces composants)**

**Vergaser
(Einzelteile)**

**Carburador
(Piezas Componentes)**



BME5-20

Service item	F.R.T.	Ref. No.	Part No.	Description	Reqd. No.				Serial No.	Area code
					CBX 600Ed	CBX 650Ed	CB650SC D	CB650SC E		
			99101-393-1150	JET, MAIN, #115		4	4	4	4	
		20	99103-MA4-0350	JET, SLOW, #35		4	4	4	4	



EOP-1

Gasket kit A

Trousse de joint A

Dichtung satz A

Equipo de empacadura A

Service item	F.R.T.	Ref. No.	Part No.	Description	Reqd. No.						Serial No.	Area code
					CBX 600Ed	CBX 650Ed	D	E	F	CB650SC		
			061A1-ME5-000	GASKET KIT A (COMPONENT PARTS)	1	1	1	1	1	1		
		1	12191-ME5-000	GASKET, CYLINDER	1	1	1	1	1	1		
		2	12209-KE8-005	SEAL, VALVE STEM	16	16	16	16	16	16		
		3	12251-ME5-005	GASKET, CYLINDER HEAD	1	1	1	1	1	1		
		4	12391-ME5-000	GASKET, CYLINDER HEAD COVER	1	1	1	1	1	1		
		5	18291-236-000	GASKET, EX. PIPE	4	4	4	4	4	4		
		6	90475-703-000	WASHER (C), 8MM	6	6	6	6	6	6		
		7	90545-300-000	WASHER, OIL BOLT	2	2	2	2	2	2		
		8	91306-ME5-003	O-RING, 33.7X2.6 (NIPPON)	8	8	8	8	8	8		
		9	91307-639-000	O-RING, 64X2	4	4	4	4	4	4		
		10	91318-ME5-003	O-RING, 5.6X1.9 (ARAI)	8	8	8	8	8	8		
		11	91319-ME5-003	O-RING, 5.6X1.5	2	2	2	2	2	2		



EOP-2

Gasket kit B

Trousse de joint B

Dichtung satz B

Equipo de empacadura B

Service item	F.R.T.	Ref. No.	Part No.	Description	Reqd. No.						Serial No.	Area code
					CBX 600Ed	CBX 650Ed	D	E	F	CB650SC		
			061B1-ME5-000	GASKET KIT B (COMPONENT PARTS)	1	1	1	1	1	1		
		1	11359-ME5-000	GASKET, CHANGE COVER	1	1	1	1	1	1		
		2	11396-ME5-000	GASKET, CLUTCH COVER	1	1	1	1	1	1		
		3	11398-ME5-000	GASKET, OIL PAN	1	1	1	1	1	1		
		4	21291-ME5-000	GASKET, SIDE GEAR CASE	1	1	1	1	1	1		
		5	22862-ME5-000	INSULATOR, CLUTCH SLAVE	1	1	1	1	1	1		
				CYLINDER								
		6	30995-ME5-000	GASKET, AIR DUCT	1	1	1	1	1	1		
		7	90441-706-000	WASHER, SEALING, 6MM	3	3	3	3	3	3		
		8	90475-703-000	WASHER (C), 8MM	2	2	2	2	2	2		
		9	91301-300-000	O-RING, 6X2.3	1	1	1	1	1	1		
		10	91302-377-000	O-RING, 15X2.5	2	2	2	2	2	2		
		11	91302-657-000	O-RING, 53.8X3.1	1	1	1	1	1	1		
		12	91303-428-003	O-RING, 7.7X2.5	1	1	1	1	1	1		
		13	91304-ME5-003	O-RING, 5.1X2.2 (ARAI)	2	2	2	2	2	2		
		14	91307-425-003	O-RING, 21.5X3.2	1	1	1	1	1	1		

F 10

EOP-2

Gasket kit B

Trousse de joint B

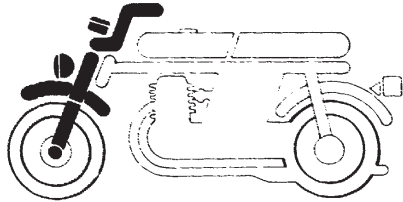
Dichtung satz B

Equipo de empacadura B

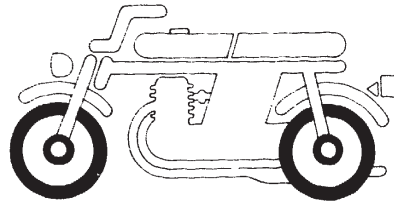
Service item	F.R.T.	Ref. No.	Part No.	Description	Reqd. No.						Serial No.	Area code
					CBX 600Ed	CBX 650Ed	D	E	F	CB650SC		
		15	91308-MA6-005	O-RING, 14.6X3.6	2	2	2	2	2			
		16	91311-ME5-005	O-RING, 24.5X2.6 (NIPPON)	1	1	1	1	1			
		17	91312-ME5-003	O-RING, 66.6X3.2 (ARAI)	1	1	1	1	1			
		18	91314-ME5-003	O-RING, 10X2.6	2	2	2	2	2			
		19	91316-425-003	O-RING, 89X4.5	2	2	2	2	2			
		20	91356-MA6-005	O-RING, 14.8X2.4 (NIPPON)	1	1	1	1	1			
		21	91362-461-000	O-RING, 70X3.0	1	1	1	1	1			
		22	94109-12000	WASHER, DRAIN PLUG, 12MM	1	1	1	1	1			

G 1

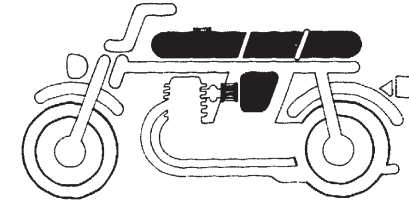
BLOCK INDEX - FRAME GROUP



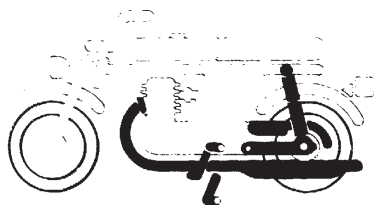
- F- 1 Headlight G 2
- F- 2 Meter G 5
- F- 3 Handle lever - Switch - Cable G 9
- F- 4 Front brake master cylinder G 12
- F- 5 Clutch master cylinder G 15
- F- 6 Handle pipe - Top bridge H 2
- F- 7 Steering stem H 4
- F- 8 Front fender..... H 7
- F- 9 Front fork (CBX600Ed - CBX650Ed -
CB650SCd, SCe)..... H 9
- F- 9-1 Front fork (CB650SCf) H 13



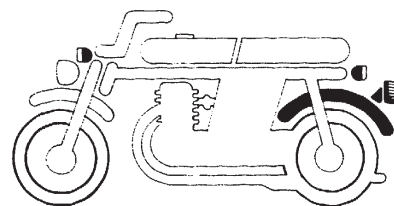
- F-10 Front brake caliper I 2
- F-11 Front wheel I 5
- F-12 Rear brake panel I 7
- F-13 Rear wheel I 8
- F-14 Final driven gear I 10



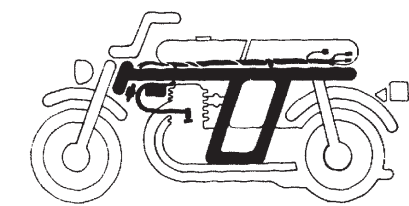
- F-15 Fuel tank I 16
- F-16 Seat - Seat cowl J 4
- F-17 Right side cover - Battery J 6
- F-18 Left side cover - Rectifier..... J 10
- F-19 Air cleaner..... J 13



- F-20 Exhaust muffler..... J 16
- F-21 Pedal K 3
- F-22 Step K 6
- F-23 Stand K 9
- F-24 Rear fork K 11
- F-25 Rear cushion (CBX600Ed - CBX650Ed -
CB650SCd, SCe)..... K 15
- F-25-1 Rear cushion (CB650SCf) L 1



- F-26 Rear fender..... L 2
- F-27 Winker..... L 4
- F-28 Taillight L 8



- F-29 Wire harness - Ignition coil..... L 10
- F-30 Frame body L 12
- F-31 Tools..... L 15
- F-32 Emblem M 1

G 2

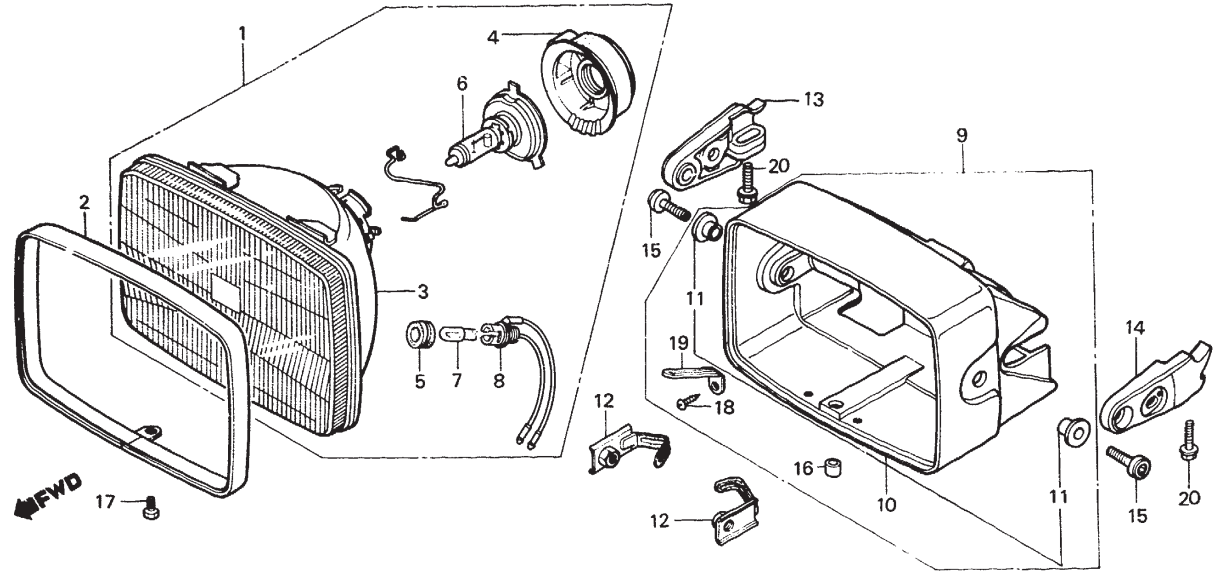
F-1

Headlight

Phare

Scheinwerfer

Faro delantero



BME5-21A

Service item	F.R.T.	Ref. No.	Part No.	Description	Reqd. No.						Serial No.	Area code
					CBX 600Ed	CBX 650Ed	D	E	F	CB650SC		
HEADLIGHT ASSY. (INC. RELATIVE PART)	0.1	1	33100-ME5-611	HEADLIGHT ASSY. (12V 60/55W) (STANLEY)	1	1				1		ED,IT,SD,1G,2G
•RING, HEADLIGHT CASE			33100-ME5-621	HEADLIGHT ASSY. (12V 60/55W)		1						F
•STAY, R. HEADLIGHT			33100-ME5-651	HEADLIGHT ASSY. (12V 60/55W)		1						U
•STAY, L. HEADLIGHT			33100-ME5-670	HEADLIGHT ASSY.			1	1	1			CM
HEADLIGHT UNIT	0.2	2	33105-ME5-000	RING, HEADLIGHT CASE	1	1	1	1	1			ED,F,IT,SD,1G,2G
•SOCKET COMP., POSITION LIGHT		3	33120-ME5-610	HEADLIGHT UNIT	1	1			1			U
•CASE, HEADLIGHT			33120-ME5-650	HEADLIGHT UNIT		1						
CASE ASSY., HEADLIGHT	0.3	4	33180-422-003	COVER, RUBBER	1	1	1	1	1			ED,F,IT,SD,U,1G,2G
		5	33905-371-601	RUBBER, JOINT	1	1			1			
		6	34901-MC7-601	BULB, HEADLIGHT (H4 JA12V60/55W)	1	1	1	1	1			CM,ED,IT,SD,U,1G,2G
			34901-371-621	H4 BULB(12342/99) MFD. BY PHI- LIPS (LOCAL PROCUREMENT PART)		1						F
		7	34903-388-611	BULB, POSITION (12V 4W) (LOCAL PROCUREMENT PART)	1	1			1			ED,F,IT,SD,U,1G,2G
		8	34904-303-003	SOCKET COMP., POSITION LIGHT	1	1			1			ED,F,IT,SD,U,1G,2G
		9	61300-ME5-010	CASE ASSY., HEADLIGHT	1	1	1	1	1			

G 3

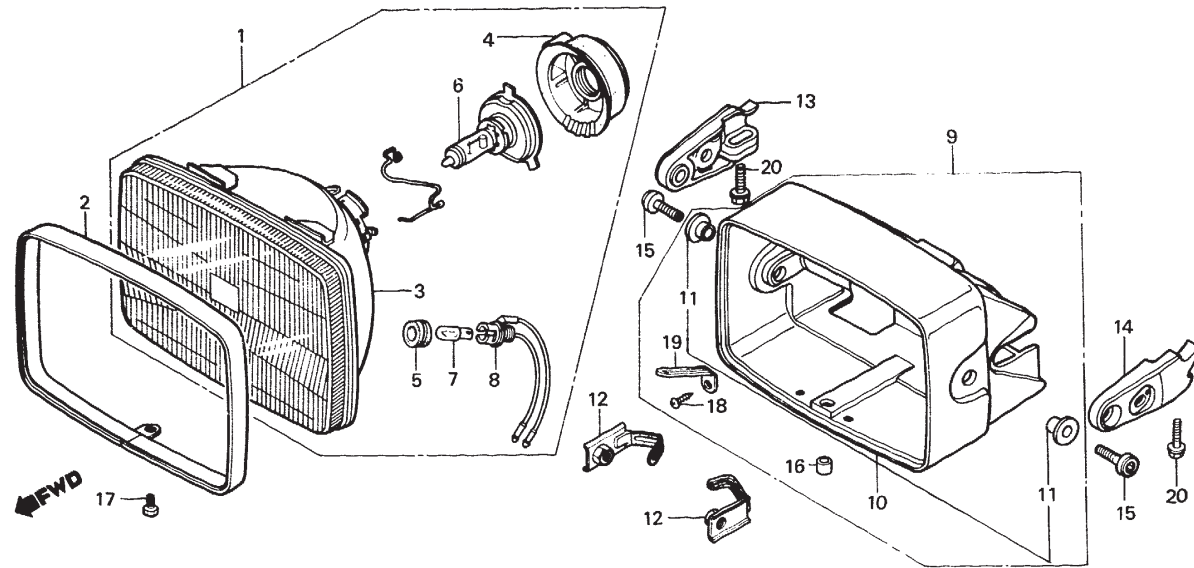
F-1

Headlight

Phare

Scheinwerfer

Faro delantero



BME5-21A

Service item	F.R.T.	Ref. No.	Part No.	Description	Reqd. No.						Serial No.	Area code
					CBX 600Ed	CBX 650Ed	D	E	F	CB650SC		
		10	61301-ME5-010	CASE, HEADLIGHT	1		1	1				
						1					2002158	ED,F,U,1G
						1					3001231	2G
			61301-ME5-020	CASE, HEADLIGHT	1						2002159	ED,F,U,1G
					1						3001232	2G
									1			
		11	61302-ME5-000	COLLAR, HEADLIGHT CASE	2							
					2						2001278	ED,F,U,1G
					2						3000951	2G
							2				DM022058	
			61302-ME5-010	COLLAR, HEADLIGHT CASE	2						2001279	ED,F,U,1G
					2						3000952	2G
							2				DM022059	
		12	61303-ME5-000	NUT, HEADLIGHT CASE	2	2	2	2	2			
		13	61312-ME5-000	STAY, R. HEADLIGHT	1	1	1	1	1			
		14	61313-ME5-000	STAY, L. HEADLIGHT	1	1	1	1	1			
		15	90150-ME5-000	BOLT, SOCKET, 8X25	2	2	2	2	2			
		16	90501-MB3-000	COLLAR, 9.5X6.8	1	1	1	1	1			

G 4

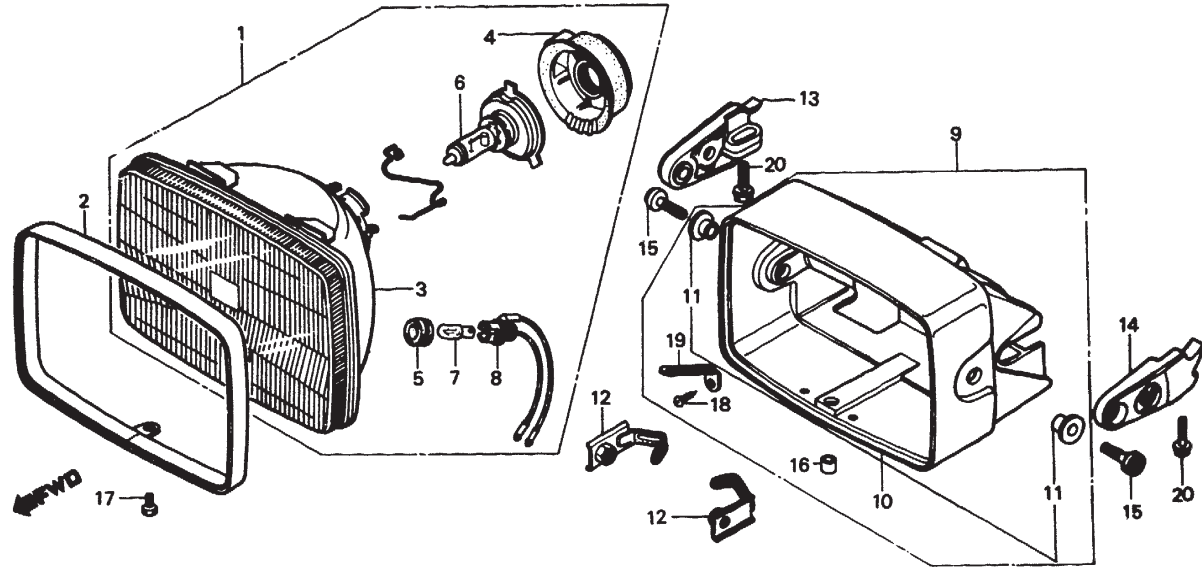
F-1

Headlight

Phare

Scheinwerfer

Faro delantero



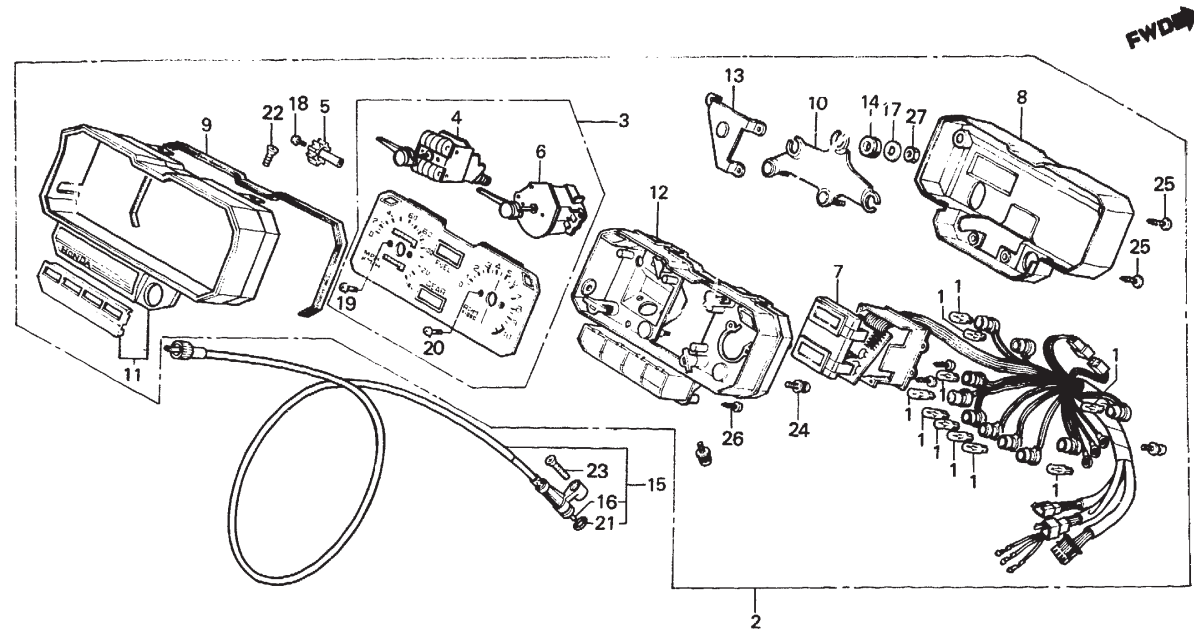
BME5-21A

Service item	F.R.T.	Ref. No.	Part No.	Description	Reqd. No.					Serial No.	Area code
					CBX 600Ed	CBX 650Ed	D	E	F		
		17	92300-05012-0A	BOLT, SLOTTED, 5X12	1	1	1	1	1		
		18	93901-14210	SCREW, TAPPING, 4X10	1	1	1	1	1		
		19	94591-44000	CLIP, 4X40	1	1	1	1	1		
		20	95700-08028-07	BOLT, FLANGE, 8X28	2	2	2	2	2		

G 5

F-2

**Meter
Compteurs
Messier
Medidor**



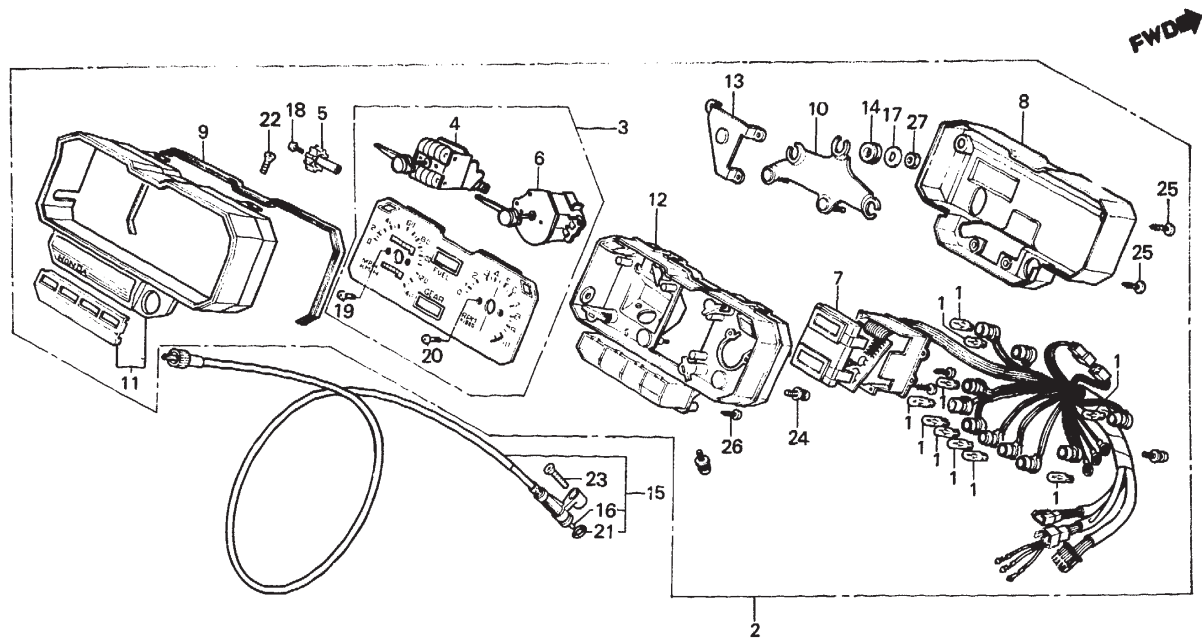
BME5-22B

Service item	F.R.T.	Ref. No.	Part No.	Description	Reqd. No.					Serial No.	Area code
					CBX 600Ed	CBX 650Ed	D	CB650SC E	F		
METER ASSY., COMBINATION	0.3	1	34908-GA7-701	BULB, WEDGE BASE (12V3.4W)	10	10	10	10	10		
COVER		2	37100-ME5-611	METER ASSY., COMBINATION		1					1G,2G
METER ASSY., SPEED & TACHO	0.4		37100-ME5-621	METER ASSY., COMBINATION		1	1				ED,F,SD
CASE ASSY., METER LOWER			37100-ME5-651	METER ASSY., COMBINATION		1					U
MOVEMENT ASSY., SPEEDOMETER	0.5		37100-ME5-720	METER ASSY., COMBINATION			1			DM014331	
MOVEMENT ASSY., TACHOMETER			37100-ME5-721	METER ASSY., COMBINATION			1			DM014332	
METER ASSY., FUEL & GEAR POSITION	0.6		37100-ME5-721	METER ASSY., COMBINATION			1				
CABLE ASSY., SPEEDOMETER	0.2		37100-ME5-710	METER ASSY., COMBINATION				1			IT
CABLE, INNER	0.1		37100-ME5-740	METER ASSY., COMBINATION (KPH)				1			CM
		3	37150-ME5-611	METER ASSY., SPEED & TACHO (KPH)	1	1					ED,F,SD,1G,2G
			37150-ME5-651	METER ASSY., SPEED & TACHO (KPH)		1					U
			37150-ME5-720	METER ASSY., SPEED & TACHO (MPH)			1	1			
			37150-ME5-740	METER ASSY., SPEED & TACHO (MPH)					1		CM

G 6

F-2

Meter
Compteurs
Messer
Medidor



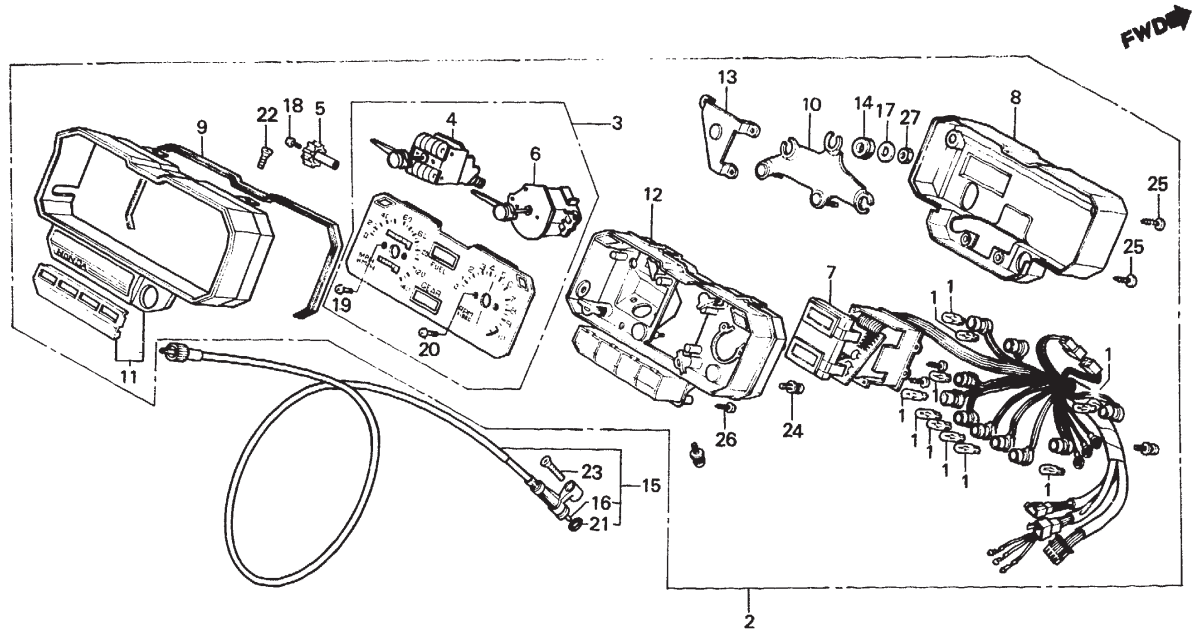
BME5-22B

Service item	F.R.T.	Ref. No.	Part No.	Description	Reqd. No.			Serial No.	Area code
					CBX 600Ed	CBX 650Ed	CB650SC D E F		
		*	37150-ME5-710	METER COMP., SPEED & TACHO			1		IT
		4	37200-ME5-610	MOVEMENT ASSY., SPEEDOMETER	1	1			IT
		*	37200-ME5-670	MOVEMENT ASSY., SPEEDOMETER			1	1	IT
			37200-ME5-720	MOVEMENT ASSY., SPEEDOMETER			1	1	CM
		5	37220-445-008	KNOB, TRIP METER	1	1			ED,F,IT,SD,U,1G,2G
			37220-ME5-000	KNOB, TRIP METER			1	1	
		6	37250-ME5-670	MOVEMENT ASSY., TACHOMETER	1	1	1	1	1
		7	37300-ME5-671	METER ASSY., FUEL & GEAR	1	1	1	1	1
		8	37400-ME5-670	COVER			1	1	1
		9	37500-ME5-670	RING	1	1	1	1	1
		10	37600-ME5-670	BRACKET A	1	1	1	1	1

G 7

F-2

**Meter
Compteurs
Messer
Medidor**



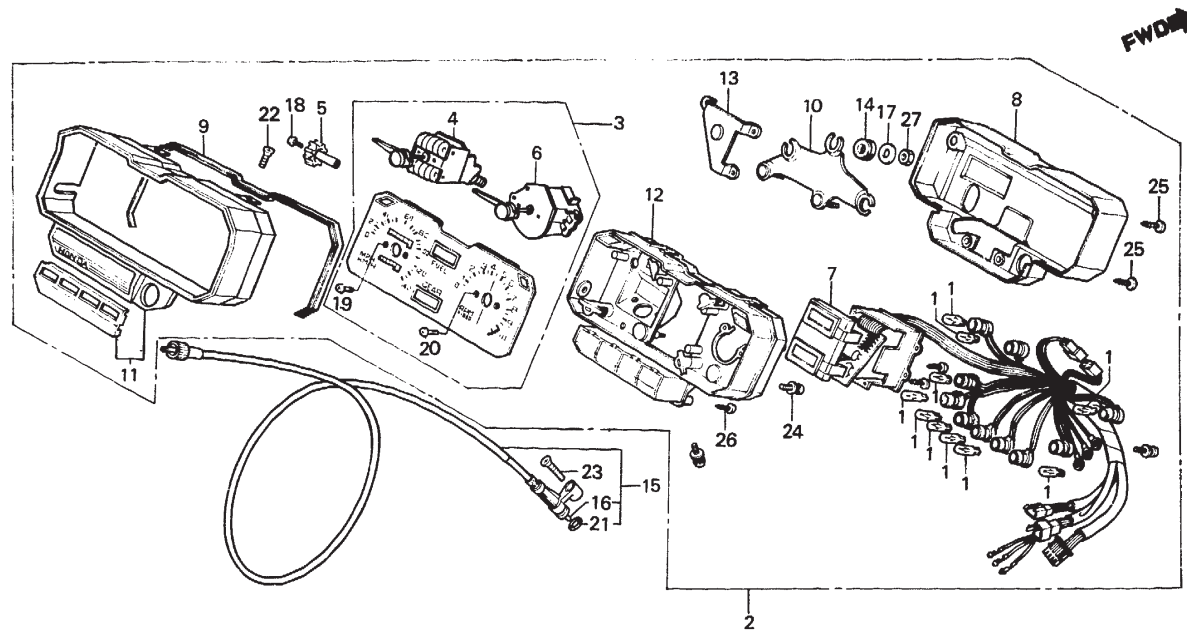
BME5-22B

Service item	F.R.T.	Ref. No.	Part No.	Description	Reqd. No.						Serial No.	Area code
					CBX 600Ed	CBX 650Ed	CB650SC D	E	F			
		11	37616-ME5-000	CASE ASSY., METER UPPER	1	1	1	1	1			
		12	37617-ME5-000	CASE ASSY., METER LOWER	1	1	1	1	1			
		13	37650-ME5-670	BRACKET B	1	1	1	1	1			
		14	37700-ME5-670	RUBBER, METER SETTING	3	3	3	3	3			
		15	44830-ME5-000	CABLE ASSY., SPEEDOMETER	1	1	1	1	1			
		16	44831-ME5-300	CABLE, INNER	1	1	1	1	1			
		17	90014-ME5-670	WASHER, PLAIN	3	3	3	3	3			
		18	90102-434-671	SCREW, TAPPING	1	1	1	1	1			
		19	90150-ME5-670	SCREW, 2.3X10	2	2	2	2	2			
		20	90151-ME5-670	SCREW, TAPPING, 2.3X10.5	2	2	2	2	2			
		21	91301-027-000	O-RING, 6.8X1.9	1	1	1	1	1			
		22	91902-ME5-670	SCREW, FLAT, 4X14	2	2	2	2	2			
		23	93700-05020-0G	SCREW, OVAL, 5X20	1	1	1	1	1			
		24	93892-04012-08	SCREW-WASHER, 4X12	3	3	3	3	3			
		25	93901-24310	SCREW, TAPPING, 4X12	2	2	2	2	2			

G 8

F-2

**Meter
Compteurs
Messer
Medidor**



BME5-22B

Service item	F.R.T.	Ref. No.	Part No.	Description	Reqd. No.						Serial No.	Area code
					CBX 600Eo	CBX 650Ed	D	E	F	CB650SC		
		26	93903-24480	SCREW, TAPPING, 4X16	4						4000206	
					4						2000579	ED,F,U,1G
					4						3000671	2G
			90101-KC1-008	SCREW, FLANGE, 4X6	4						DM015056	
					4						4000207	
					4						2000580	ED,F,U,1G
					4						3000672	2G
											DM015057	
		27	94001-05000-0S	NUT, HEX., 5MM	3	3	3	3	3			

G 9

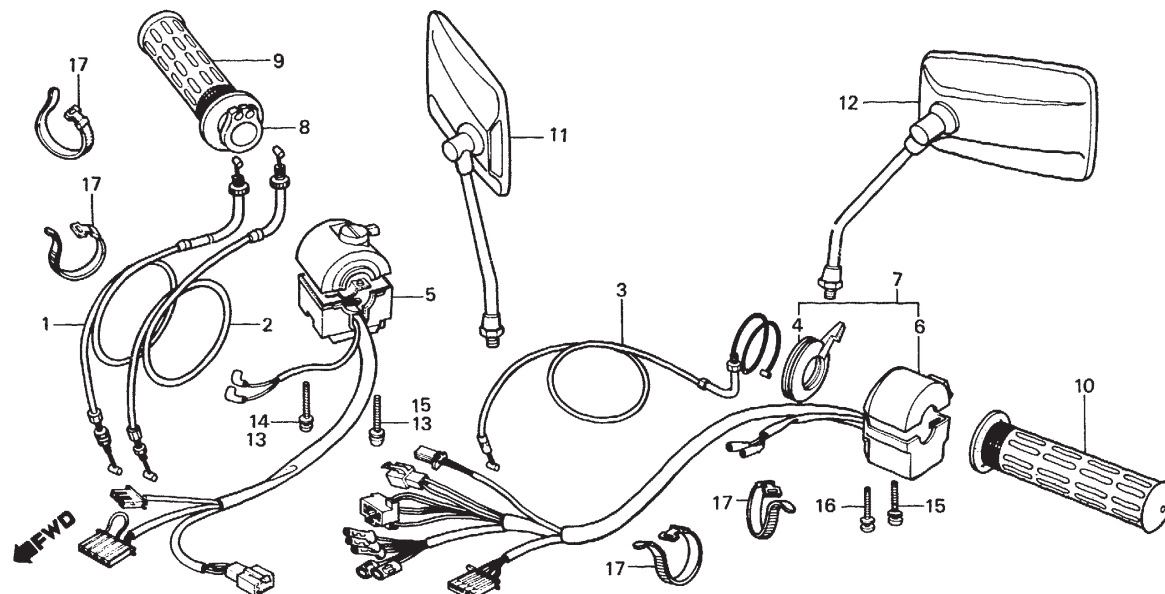
F-3

Handle lever • Switch • Cable

Levier de poignée • Interrupteur • Câble

Lenkstangenhebel • Schalter • Kabel

Palanca de manubrio • Interruptor • Cable



BME5-23

Service item	F.R.T.	Ref. No.	Part No.	Description	Reqd. No.				Serial No.	Area code
					CBX 600Ed	CBX 650Ed	CB650SC D	E F		
CABLE COMP. THROTTLE (ONE OR ALL)	0.5	1	17910-ME5-000	CABLE COMP. A, THROTTLE			1			
			17910-ME5-610	CABLE COMP. A, THROTTLE	1	1				
• SWITCH ASSY., WINKER			17910-ME5-770	CABLE COMP. A, THROTTLE				1	1	
CABLE COMP., CHOKE	0.3	2	17920-ME5-000	CABLE COMP. B, THROTTLE			1			
• PIPE, THROTTLE GRIP			17920-ME5-610	CABLE COMP. B, THROTTLE	1	1				
SWITCH ASSY., STARTER KILL	0.6		17920-ME5-770	CABLE COMP. B, THROTTLE				1	1	
GRIP, R. HANDLE	0.1	3	17950-ME5-000	CABLE COMP., CHOKE			1			
• GRIP, L. HANDLE			17950-ME5-610	CABLE COMP., CHOKE	1	1				
			17950-ME5-770	CABLE COMP., CHOKE				1	1	
		4	17962-ME5-000	LEVER, CHOKE	1	1	1			
			17962-KE8-700	LEVER, CHOKE				1	1	
		5	35150-ME5-610	SWITCH ASSY., STARTER KILL	1	1				
			35130-ME5-671	SWITCH ASSY., STARTER KILL			1			
			35130-ME5-771	SWITCH ASSY., STARTER KILL				1		
			35130-ME5-780	SWITCH ASSY., STARTER KILL					1	CM
		*	35150-ME5-710	SWITCH ASSY., STARTER LIGHTING					1	IT
				KILL						

G 10

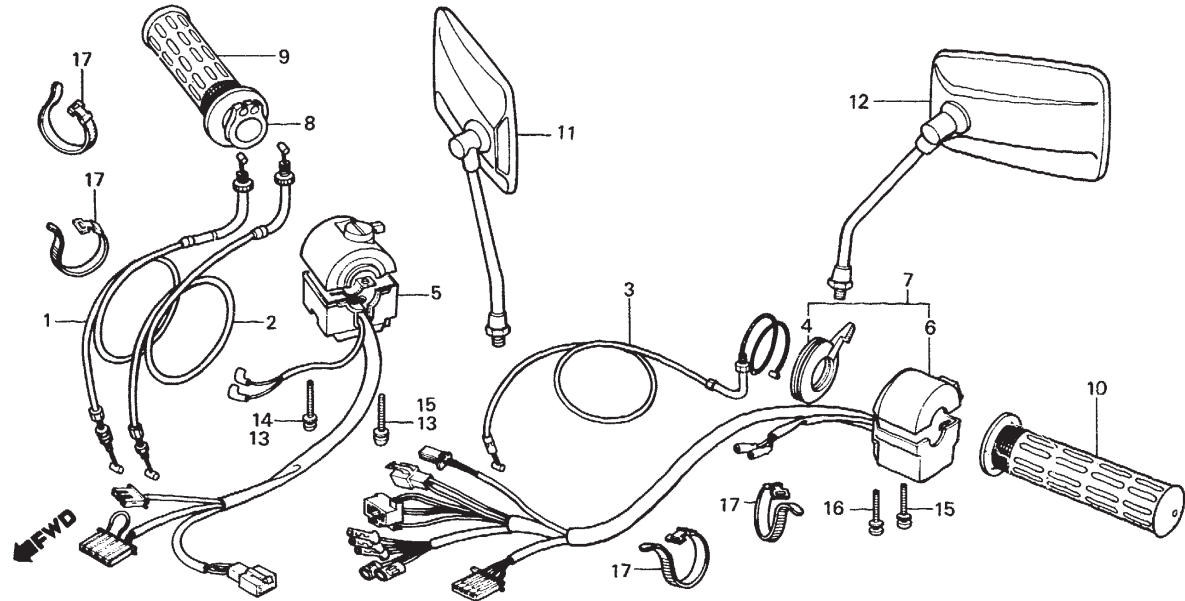
F-3

Handle lever • Switch • Cable

Levier de poignée • Interrupteur • Câble

Lenkstangenhebel • Schalter • Kabel

Palanca de manubrio • Interruptor • Cable



BME5-23

Service item	F.R.T.	Ref. No.	Part No.	Description	Reqd. No.						Serial No.	Area code
					CBX 600Ed	CBX 650Ed	CB650SC D	E	F			
		6	35200-ME5-610	SWITCH ASSY., WINKER	1	1						
			35200-ME5-670	SWITCH ASSY., WINKER			1					
		7	35200-ME5-710	SWITCH ASSY., WINKER					1			IT
			35200-ME5-771	SWITCH ASSY., WINKER					1			CM
		8	53141-300-010	PIPE, THROTTLE GRIP	1	1	1	1	1			
		9	53165-390-780	GRIP, R. HANDLE	1	1	1	1	1			
		10	53166-390-780	GRIP, L. HANDLE	1	1	1	1	1			
		11	88110-MB0-003	MIRROR, R. BACK	1	1	1	1	1			CM,ED,IT,SD,1G,2G
			88110-MB0-621	MIRROR, R. BACK			1					F
			88110-MB0-651	MIRROR, R. BACK			1					U
		12	88120-MB0-003	MIRROR, L. BACK	1	1	1	1	1			CM,ED,IT,SD,1G,2G
			88120-MB0-621	MIRROR, L. BACK			1					F
			88120-MB0-651	MIRROR, L. BACK			1					U
		13	93891-05030-07	SCREW-WASHER, 5X30	2	2	2					

G 11

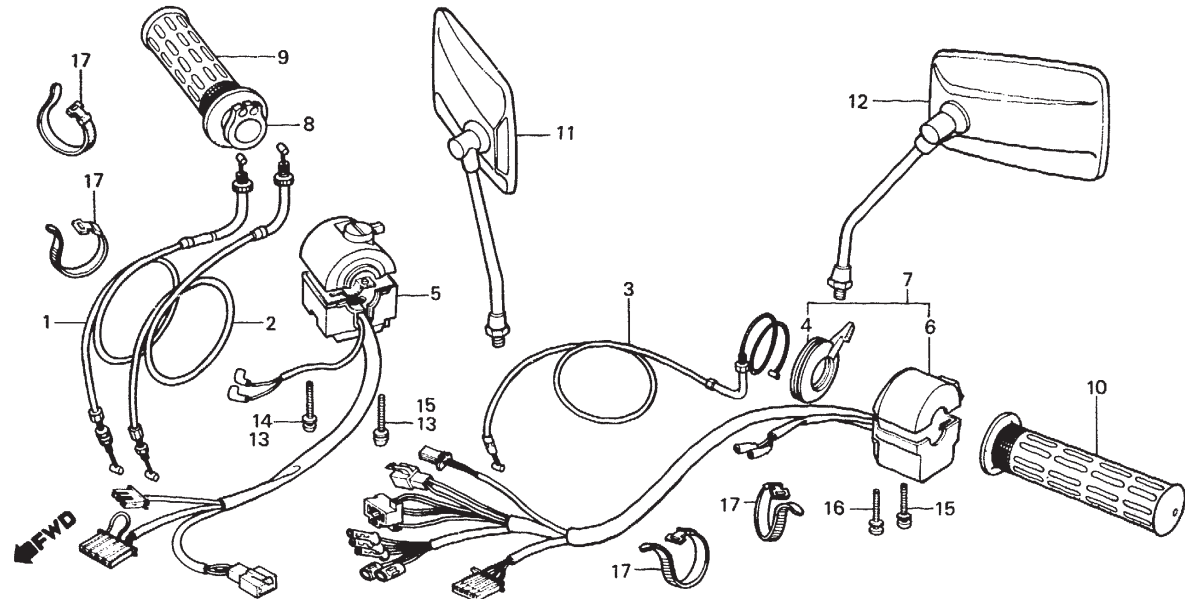
F-3

Handle lever • Switch • Cable

Levier de poignée • Interrupteur • Câble

Lenkstangenhebel • Schalter • Kabel

Palanca de manubrio • Interruptor • Cable



BME5-23

Service item	F.R.T.	Ref. No.	Part No.	Description	Reqd. No.			Serial No.	Area code
					CBX 600Ed	CBX 650Ed	CB650SC D E F		
			93891-05035-07	SCREW-WASHER, 5X35	2			2000786	ED,F,U,1G
					2			3000671	2G
			93892-05032-07	SCREW-WASHER, 5X32	2	2		DM017427	
					2			2000787	ED,F,U,1G
					2			3000672	2G
						2		DM017428	
		14	93892-05020-07	SCREW-WASHER, 5X20			1	1	
		15	93892-05028-07	SCREW-WASHER, 5X28			2	2	
		16	93892-05045-07	SCREW-WASHER, 5X45			1	1	
		17	95014-62100	BAND B1, WIRE	4	4	4		
			32161-404-000	BAND B1, WIRE			4	4	

G 12

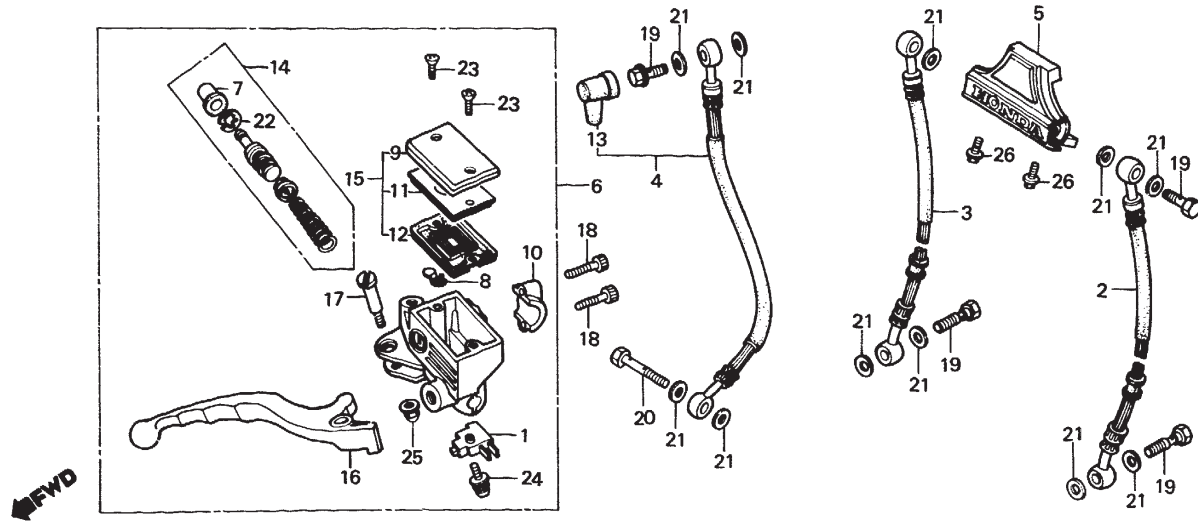
F-4

Front brake master cylinder

Maitre cylindre de frein avant

Vorderradbremse-Hauptzylinder

Cilindro maestro de freno delantero



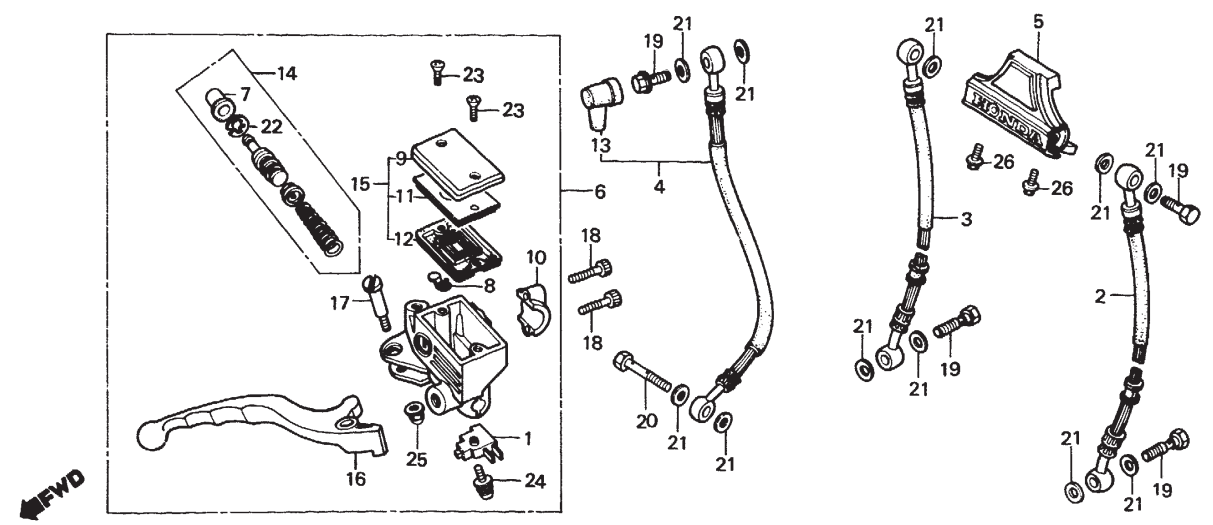
BME5-24

Service item	F.R.T.	Ref. No.	Part No.	Description	Reqd. No.						Serial No.	Area code
					CBX 600Ed	CBX 650Ed	D	E	F	C8650SC		
SWITCH ASSY., FR. STOP	0.1	1	35340-MA5-671	SWITCH ASSY., FR. STOP	1	1	1	1	1			
CAP SET, FR. BRAKE MASTER	CYLINDER	2	45124-ME5-003	HOSE, L. FR. BRAKE	1	1	1	1				
		3	45124-ME5-013	HOSE, L. FR. BRAKE					1			
		4	45125-MG5-671	HOSE A, R. FR. BRAKE	1	1	1	1				
LEVER, R. STEERING HANDLE	0.3	4	45125-MG5-672	HOSE A, R. FR. BRAKE					1			
HOSE, L. FR. BRAKE (WHEN SERVICING COMP., UNIT, F.R.T. IS 0.4.)		5	45126-ME5-003	HOSE B, FR. BRAKE	1	1	1	1				
JOINT, TWO WAY	MASTER	5	45127-ME5-000	HOSE B, FR. BRAKE					1			
CYLINDER ASSY., FR. BRAKE		6	45500-MB0-671	JOINT, TWO WAY	1	1	1					
CYLINDER SET, MASTER		0.4	6	45500-MB0-671	CYLINDER ASSY., FR. BRAKE	1	1	1				
			45500-ME5-771	CYLINDER ASSY., FR. BRAKE				1				
			45500-ME5-772	CYLINDER ASSY., FR. BRAKE					1			
			7	45504-410-003	MASTER							
			8	45512-MA6-006	PROTECTOR	1	1	1	1	1		
			9	45513-MA6-006	CAP, OIL CUP	1	1	1				
				45513-MA6-026	CAP, OIL CUP				1			
				45513-KE5-026	CAP, MASTER CYLINDER					1		

G 13

F-4

Front brake master cylinder
Maitre cylindre de frein avant
Vorderradbremse-Hauptzylinder
Cilindro maestro de freno delantero



BME5-24

Service item	F.R.T.	Ref. No.	Part No.	Description	Reqd. No.						Serial No.	Area code
					CBX 600Ed	CBX 650Ed	D	E	F	CB650SC		
		10	45517-MB0-006	HOLDER, MASTER CYLINDER	1	1	1	1	1			
		11	45518-MB4-671	PLATE, DIAPHRAGM	1	1	1	1	1			
		12	45520-MA5-672	DIAPHRAGM	1	1	1	1	1			
		13	45522-422-000	BOOT, MASTER CYLINDER	1	1	1	1	1			
		14	45530-MA5-671	CYLINDER SET, MASTER	1	1	1	1	1			
		15	45540-KE5-005	CAP SET, FR. BRAKE MASTER CYLINDER	1	1	1	1	1			
		16	53175-KE8-006 53175-MB0-006	LEVER COMP., R. HANDLE LEVER, R. STEERING HANDLE						1	1	
		17	90114-MA5-671	BOLT, R. STEERING HANDLE LEVER PIVOT	1	1	1	1	1			
		18	90117-MB0-000	BOLT, SOCKET, 6X23	2	2	2	2	2			
		19	90145-KE8-000 90145-961-010	BOLT, OIL, 10X22 BOLT, OIL, 10X22	4	4	4			4	4	
		20	90145-MG5-670 90145-MB0-010	BOLT, OIL, 10X34 BOLT, OIL, 10X34	1	1	1				1	

G 14

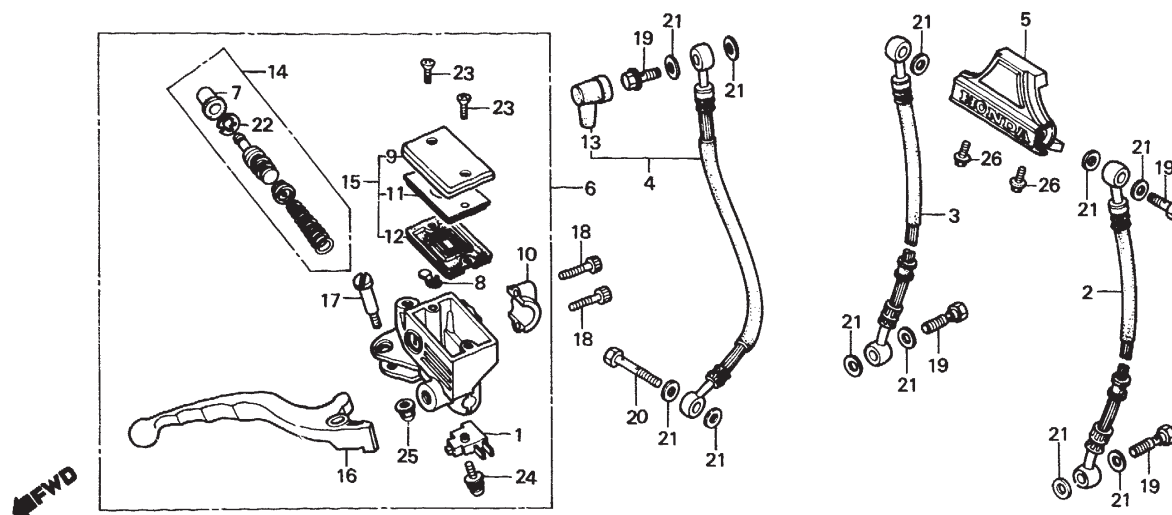
F-4

Front brake master cylinder

Maitre cylindre de frein avant

Vorderradbremse-Hauptzylinder

Cilindro maestro de freno delantero



BME5-24

Service item	F.R.T.	Ref. No.	Part No.	Description	Reqd. No.					Serial No.	Area code
					CBX 600Ed	CBX 650Ed	CB650SC D	E	F		
		21	90545-300-000	WASHER, OIL BOLT	11	11	11	11	11		
		22	90651-MA5-671	CIRCLIP	1	1	1	1	1		
		23	93600-04012-1G	SCREW, FLAT, 4X12	2	2	2	2	2		
		24	93893-04012-18	SCREW-WASHER, 4X12	1	1	1	1	1		
		25	94050-06000	NUT, FLANGE, 6MM	1	1	1	1			
		*	90201-415-000	NUT, CAP, 6MM					1		
		26	95700-06020-07	BOLT, FLANGE, 6X20	2	2	2	2	2		

G 15

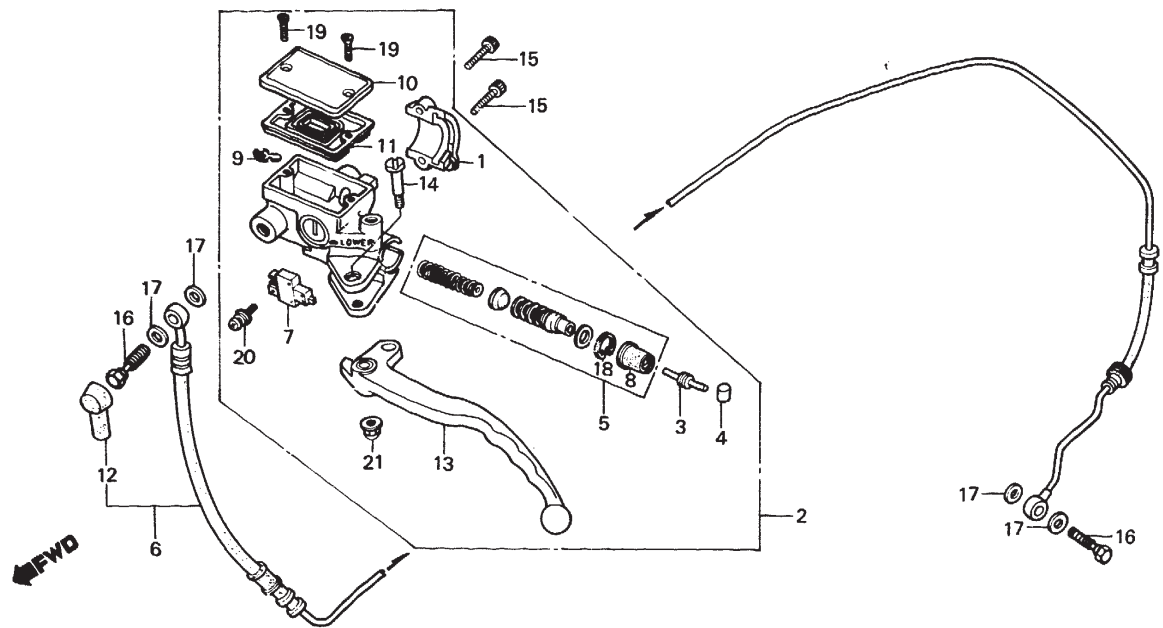
F-5

Clutch master cylinder

Maitre cylindre d'embrayage

Kupplungshauptzylinder

Cilindro maestro de embrague



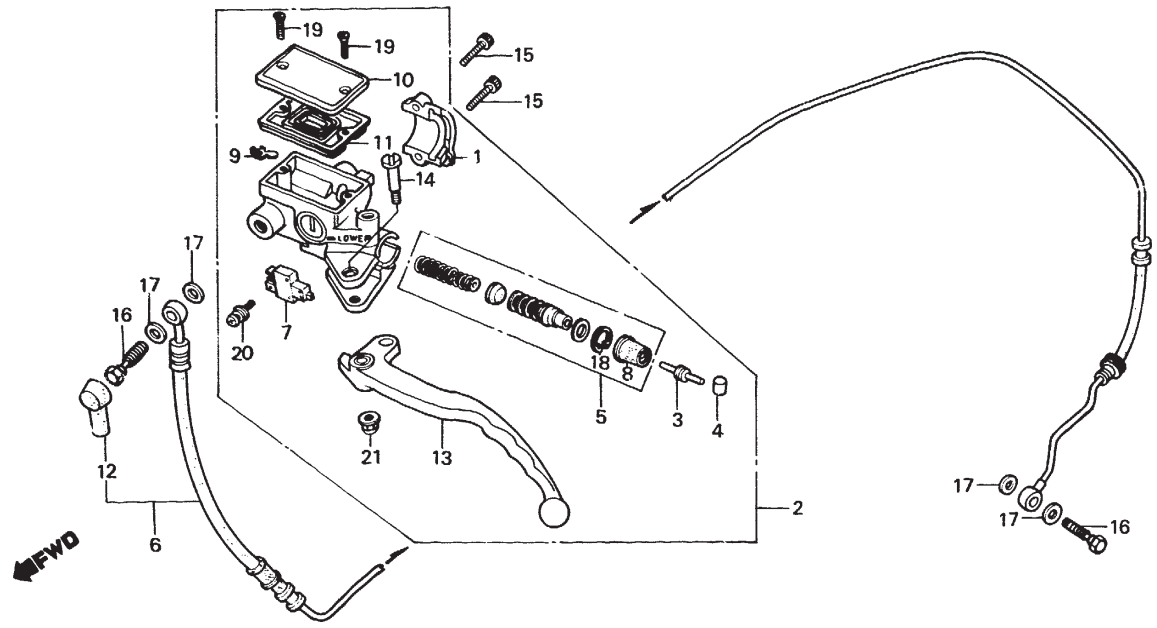
BME5-25

Service item	F.R.T.	Ref. No.	Part No.	Description	Reqd. No.						Serial No.	Area code
					CBX 600ED	CBX 650ED	D	E	F	CB650SC		
CYLINDER ASSY., CLUTCH MASTER	0.3	1	17963-ME5-000	HOLDER, CHOKE LEVER	1	1	1					
PISTON SET, CLUTCH MASTER	0.4		45517-MB0-006	HOLDER, MASTER CYLINDER				1	1			
		2	22880-ME5-671	CYLINDER ASSY., CLUTCH MASTER	1	1	1					
			22880-ME5-771	CYLINDER ASSY., CLUTCH MASTER				1				
• PIPE COMP., CLUTCH SWITCH ASSY., CLUTCH	0.1		22880-ME5-772	CYLINDER ASSY., CLUTCH MASTER								1
• DIAPHRAGM		3	22884-MB0-006	ROD, PUSH	1	1	1	1	1	1		
• LEVER, L. STEERING HANDLE		4	22885-MB0-006	BUSH	1	1	1	1	1	1		
		5	22886-MB0-305	PISTON SET, CLUTCH MASTER	1	1	1	1	1	1		
				CYLINDER								
		6	22889-ME5-003	PIPE COMP., CLUTCH				1	1			
			22889-ME5-013	PIPE COMP., CLUTCH							1	
			22889-ME5-611	PIPE COMP., CLUTCH	1	1						
		7	35330-MB0-003	SWITCH ASSY., CLUTCH	1	1	1	1	1	1		
		8	45504-410-003	BOOT COMP.	1	1	1	1	1	1		
		9	45512-MA6-006	PROTECTOR	1	1	1	1	1	1		
		10	45513-MA6-621	CAP	1	1	1					

G 16

F-5

Clutch master cylinder
 Maître cylindre d'embrayage
 Kupplungshauptzylinder
 Cilindro maestro de embrague



BME5-25

Service item	F.R.T.	Ref. No.	Part No.	Description	Reqd. No.					Serial No.	Area code
					CBX 600Ed	CBX 650Ed	D	E	F		
		*	45513-KE5-016	CAP					1		
			45513-KE5-026	CAP, MASTER CYLINDER						1	
		11	45520-MA5-671	DIAPHRAGM	1	1	1				
			45520-MA5-672	DIAPHRAGM				1	1		
		12	45522-422-000	BOOT, MASTER CYLINDER	1	1	1	1	1		
		13	53178-KE8-006	LEVER COMP., L. HANDLE					1	1	
			53178-MB0-006	LEVER, L. STEERING HANDLE	1	1	1				
		14	90114-MA5-671	BOLT, R. STEERING HANDLE LEVER	1	1	1	1	1		
				PIVOT							
		15	90117-MB0-000	BOLT, SOCKET, 6X23	2	2	2	2	2		
		16	90145-KE8-000	BOLT, OIL, 10X22	2	2					
			90145-961-010	BOLT, OIL, 10X22				2	2		
		17	90545-300-000	WASHER, OIL BOLT	4	4	4	4	4		
		18	90651-377-003	CIRCLIP, INTERNAL, 18MM	1		1	1	1		
				(NISSHIN)							
		19	93600-04012-1G	SCREW, FLAT, 4X12	2	2	2	2	2		
		20	93893-04012-17	SCREW-WASHER, 4X12	1	1	1	1	1		



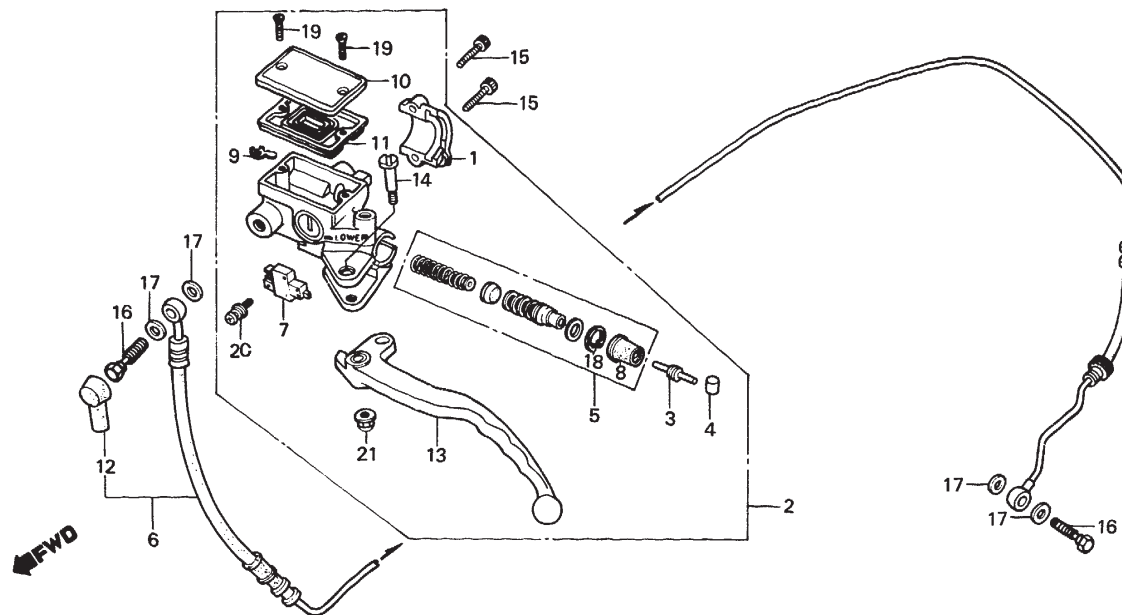
F-5

Clutch master cylinder

Maitre cylindre d'embrayage

Kupplungshauptzylinder

Cilindro maestro de embrague



BME5-25

Service item	F.R.T.	Ref. No.	Part No.	Description	Reqd. No.				Serial No.	Area code
					CBX 600Ed	CBX 650Ed	D	E		
		21	94050-06000	NUT, FLANGE, 6MM	1	1	1	1		
		*	90201-415-000	NUT, CAP, 6MM				1		

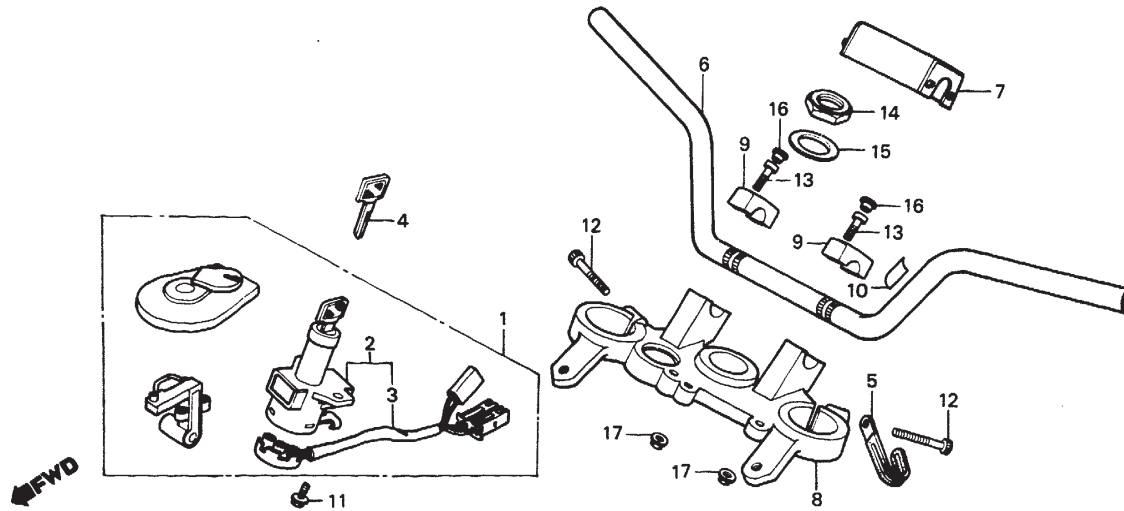
F-6

Handle pipe • Top bridge

Guidon • Haut de fourche

Lenkrohr • Obere Brücke

Tubo do manubrio • Puente superior



BME5-26

Service item	F.R.T.	Ref. No.	Part No.	Description	Reqd. No.						Serial No.	Area code
					600Ed	CBX	CBX	D	E	F		
KEY SET	0.5	1	35010-ME5-007	KEY SET		1						F,U
SWITCH ASSY., COMBINATION & LOCK	0.4		35010-ME5-027	KEY SET				1	1			ED,SD,1G,2G
•BASE COMP., CONTACT PIPE, STEERING HANDLE •BRIDGE, FORK TOP	0.6	2	35010-ME5-610	KEY SET						1		CM,ED,F,IT,U
			35010-ME5-017	KEY SET								
			2	35100-ME5-007	SWITCH ASSY., COMBINATION & LOCK		1	1	1	1		SD,1G,2G
				35100-ME5-611	SWITCH ASSY., COMBINATION & LOCK		1	1				
		3	35101-MA6-007	BASE COMP., CONTACT	1	1	1	1	1	1		
		4	35121-MA6-811	KEY, BLANK (TYPE 1)	(1)	(1)	(1)	(1)	(1)	(1)		
			35122-MA6-811	KEY, BLANK (TYPE 2)	(1)	(1)	(1)	(1)	(1)	(1)		
		5	35140-ME5-000	CLIP, KILL SWITCH WIRE	1	1	1			1		IT
		6	53100-ME5-610	PIPE, STEERING HANDLE	1	1	1					
			53100-ME5-770	PIPE, STEERING HANDLE					1	1		
		7	53105-ME5-000	COVER, HANDLE	1	1	1	1	1	1		
		8	53230-ME5-000	BRIDGE, FORK TOP	1	1	1	1	1	1		
		9	53235-ME5-000	HOLDER, UPPER	2	2	2	2	2	2		
		10	87517-MB1-770	LABEL, FR. FORK CAUTION	1	1	1					CM,ED,SD,U,1G,2G

H 3

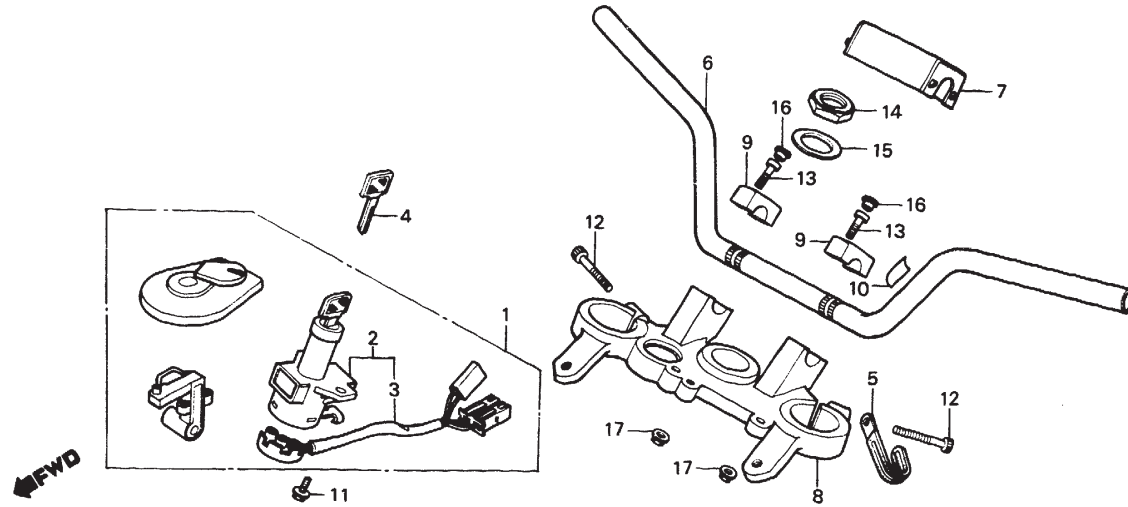
F-6

Handle pipe • Top bridge

Guidon • Haut de fourche

Lenkrohr • Obere Brücke

Tube do manubrio • Puente superior



BME5-26

Service item	F.R.T.	Ref. No.	Part No.	Description	Reqd. No.				Serial No.	Area code
					CBX 600E	CBX 650E	CB650SC D	E F		
			87517-MB1-790	LABEL, FR. FORK CAUTION	1	1				CM,F
		11	90104-MJ1-000	BOLT, FLANGE, 8X19						
			90105-MA6-000	BOLT, FLANGE, 8X19	2	2	2	2		
		12	90151-MB1-000	BOLT, SOCKET, 7X32	2	2	2	2		
		13	90154-MB1-000	BOLT, SOCKET, 8X32			4		DM013491	
			90154-ME9-000	BOLT, SOCKET, 8X32	4	4	4	4	DM013492	
		14	90304-425-000	NUT, STEERING STEM	1	1	1	1		
		15	90503-425-000	WASHER, STEERING STEM	1	1	1	1		
		16	91455-MB0-000	CAP, SOCKET BOLT, 8MM	4	4	4	4		
		17	94050-08000	NUT, FLANGE, 8MM	2	2	2	2		



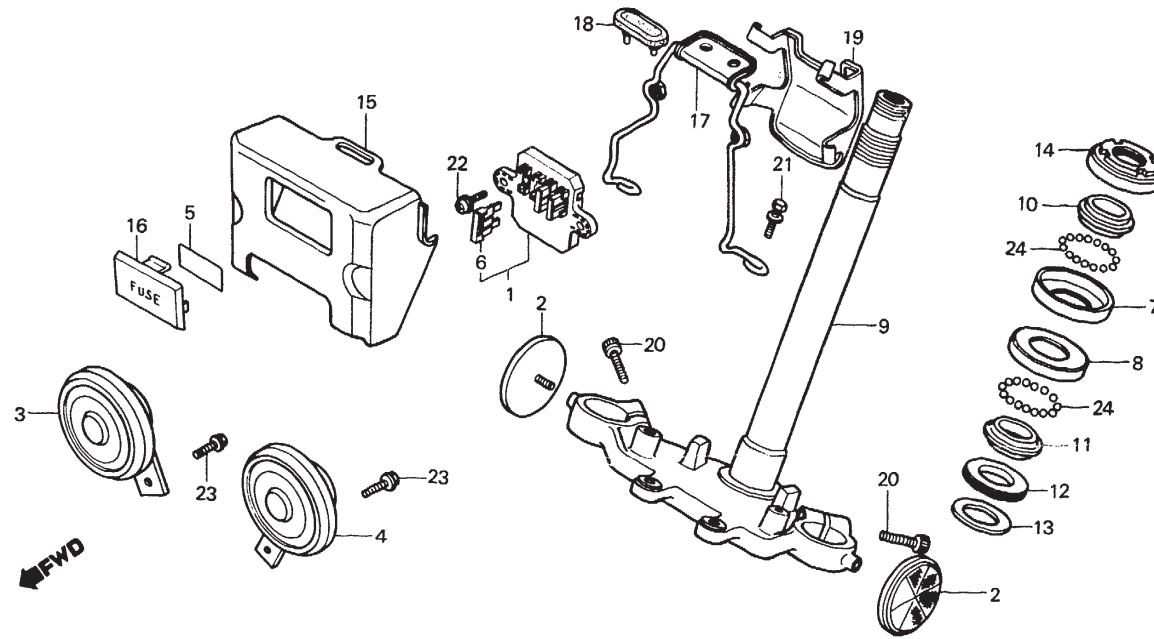
F-7

Steering stem

Tige de direction

Steuerkopfschaft

Valilla de dirección



BME5-27

Service item	F.R.T.	Ref. No.	Part No.	Description	Reqd. No.					Serial No.	Area code
					CBX 600Ed	CBX 650Ed	D	E	F		
BOX ASSY., JOINT	0.3	1	32450-ME5-003	BOX ASSY., JOINT	1	1	1	1	1		
HORN ASSY., HIGH	0.1	2	33741-413-003	REFLECTOR, FR. REFLEX			2	2	2		CM
RACE, STEERING TOP BALL (ONE OR ALL)	1.0	3	38110-ME5-000	HORN ASSY., HIGH				1	1	1	CM
• RACE, STEERING BOTTOM CONE			38110-ME5-650	HORN ASSY., HIGH	1	1					ED,F,IT,SD,U,1G,2G
STEM COMP., STEERING	1.1	4	38120-MB1-700	HORN ASSY. (LOW)				1	1	1	CM
RACE, STEERING TOP CONE	0.5		38120-MB1-740	HORN ASSY. (LOW)	1	1					ED,F,IT,SD,U,1G,2G
• THREAD COMP., STEERING HEAD		5	38215-ME5-000	LABEL, FUSE	1	1	1	1	1		CM,ED,IT,SD,U,1G,2G
			38215-ME5-620	LABEL, FUSE			1	1	1		CM,F
COVER, FR.	0.2	6	38231-SA5-003	FUSE B (15A)	1	1	1	1	1		
• STAY, FR. COVER		7	50301-268-000	RACE, STEERING TOP BALL	1	1	1	1	1		CM,ED,F,SD,U,1G,2G
		*	50301-268-010	RACE, STEERING TOP BALL							IT
		8	50302-268-000	RACE, STEERING BOTTOM BALL	1	1	1	1	1		CM,ED,F,SD,U,1G,2G
		*	50302-268-010	RACE, STEERING BOTTOM BALL							IT
		9	53200-ME5-000	STEM COMP., STEERING				1			F,U
			53200-ME5-610	STEM COMP., STEERING	1	1					ED,SD,1G,2G

H 5

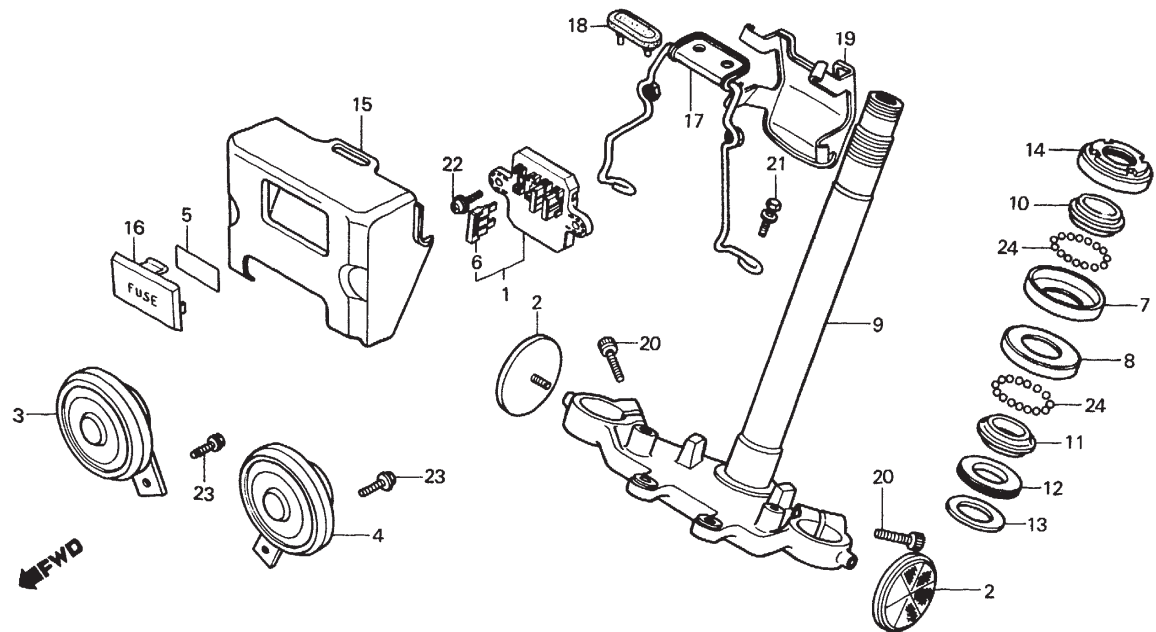
F-7

Steering stem

Tige de direction

Steuerkopfschaft

Valilla de dirección



BME5-27

Service item	F.R.T.	Ref. No.	Part No.	Description	Reqd. No.						Serial No.	Area code
					CBX 600Ed	CBX 650Ed	D	CB650SC E	F			
			53200-ME5-670	STEM COMP., STEERING				1	1			
		*	53200-ME5-670ZA	STEM COMP., STEERING *NH-1*							1	
		10	53211-268-000	RACE, STEERING TOP CONE	1	1	1	1	1			CM,ED,F,SD,U,1G,2G
		*	53211-268-010	RACE, STEERING TOP CONE							1	IT
		11	53212-250-000	RACE, STEERING BOTTOM CONE	1	1	1	1	1			CM,ED,F,SD,U,1G,2G
		*	53212-250-010	RACE, STEERING BOTTOM CONE							1	IT
		12	53214-250-000	DUST SEAL, STEERING HEAD	1	1	1	1	1			
		13	53215-250-000	WASHER, STEERING HEAD	1	1	1	1	1			
		14	53220-460-840	THREAD COMP., STEERING HEAD	1	1	1	1	1			
				DUST SEAL TOP								
		15	61401-ME5-000	COVER, FR.	1	1	1	1	1			
		16	61402-ME5-000	LID, FR. COVER	1	1	1	1	1			

H 6

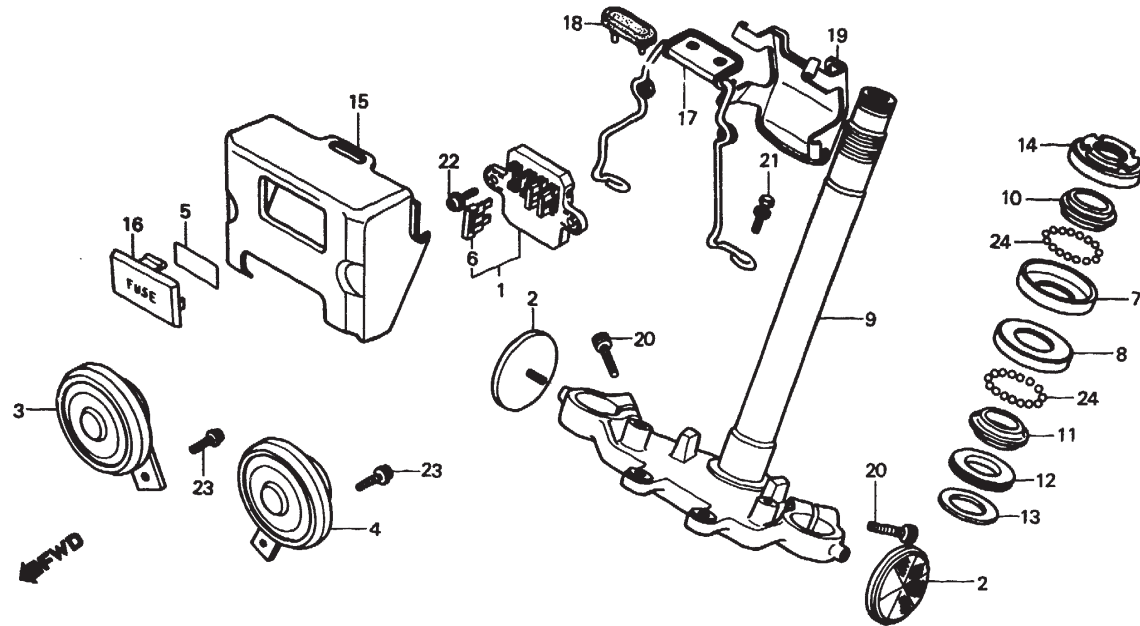
F-7

Steering stem

Tige de direction

Steuerkopfschaft

Valilla de dirección



BME5-27

Service item	F.R.T.	Ref. No.	Part No.	Description	Reqd. No.					Serial No.	Area code
					CBX 600Ed	CBX 650Ed	D	E	F		
		17	61405-ME5-000	STAY, FR. COVER	1	1	1	1	1		
		18	61406-ME5-000	RUBBER, FR. COVER	1	1	1	1	1		
		19	61410-ME5-000	COVER, JOINT BOX	1	1	1	1	1		
		20	90152-MB0-000	BOLT, SOCKET, 10X30	2	2	2	2	2		
		21	93495-06016-07	BOLT-WASHER, 6X16	2	2	2	2	2		
		22	93891-06018-07	SCREW-WASHER, 6X18	2	2	2	2	2		
		23	95700-06014-00	BOLT, FLANGE, 6X14	2	2	2	2	2		
		24	96211-08000	BALL, STEEL, #8 (1/4)	37	37	37	37	37		



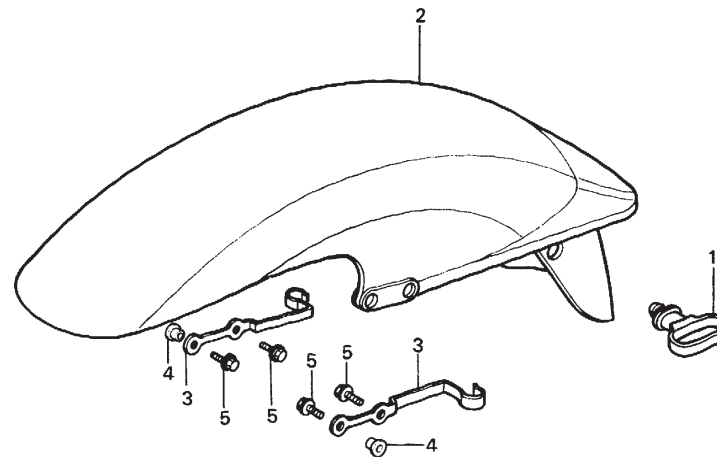
F-8

Front fender

Garde-boue avant

Vorderer Kotflügel

Parafango delantero



BME5-28C

Service item	F.R.T.	Ref. No.	Part No.	Description	Reqd. No.						Serial No.	Area code
					CBX 600Ed	CBX 650Ed	D	E	F	CB650SC		
FENDER COMP., FR.	0.1	1	45451-GE2-000	GROMMET, WIRE	1	1	1	1	1			
		2	61100-ME5-000ZA	FENDER COMP., FR. *PB-123P-A*					1			
			61100-ME5-000ZB	FENDER COMP., FR. *R-114C-U*					1			
			61100-ME5-000ZC	FENDER COMP., FR. *NH-121P-A*	1	1						
			61100-ME5-000ZD	FENDER COMP., FR. *R-124C-U*	1	1						
			61100-ME5-000ZE	FENDER COMP., FR. *NH-1-Z*	1	1			1			
			61100-ME5-000ZH	FENDER COMP., FR. *R-107C-U*					1			
			61100-ME5-000ZJ	FENDER COMP., FR. *R-130C-U*							1	CM
			61100-ME5-000ZK	FENDER COMP., FR. *PB-117C-U*							1	
			61100-ME5-000ZL	FENDER COMP., FR. *R-101C-U*							1	IT
			3	61109-ME5-000	CLAMP, FR. BRAKE HOSE	2	2	2	2	2		

H 8

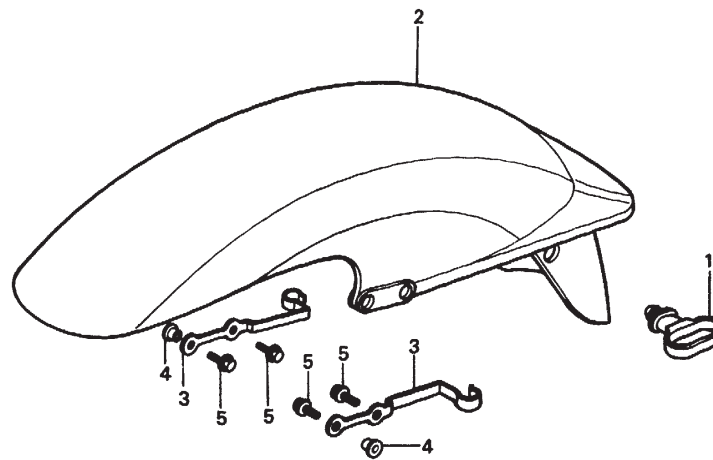
F-8

Front fender

Garde-boue avant

Vorderer Kotflügel

Parafango delantero



BME5-28C

Service item	F.R.T.	Ref. No.	Part No.	Description	Reqd. No.						Serial No.	Area code
					CBX 600Ed	CBX 650Ed	D	CB850SC E F		F		
		4	90556-044-000	WASHER, FR. FENDER SETTING	4	4	4	4	4			
		5	95700-06014-07	BOLT, FLANGE, 6X14	4	4	4					
			95700-06016-08	BOLT, FLANGE, 6X16				4	4			

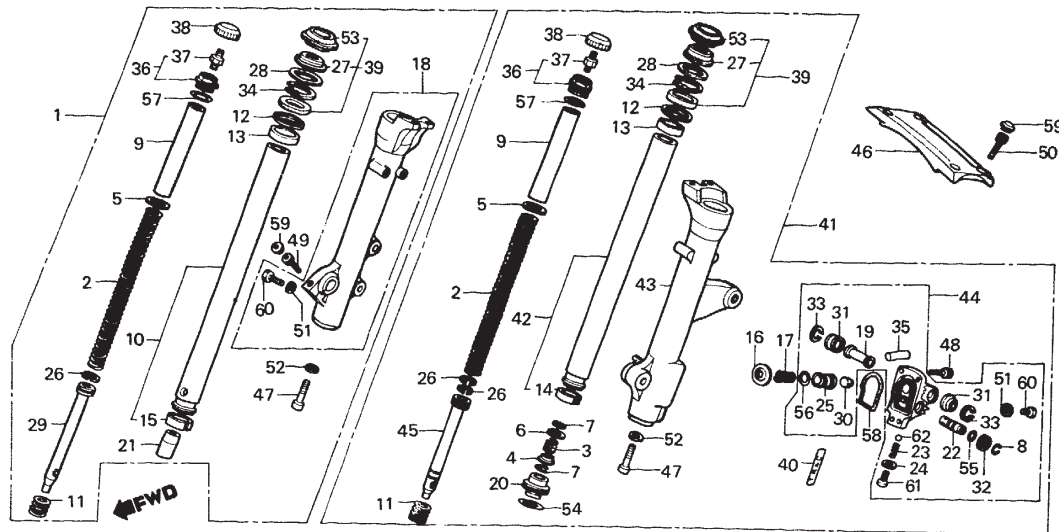
F-9

Front fork
(CBX600Ed•CBX650Ed•CB650SCd•SCe)

Fourche avant
(CBX600Ed•CBX650Ed•CB650SCd•SCe)

Vordergabel
(CBX600Ed•CBX650Ed•CB650SCd•SCe)

Horquilla delantero
(CBX600Ed•CBX650Ed•CB650SCd•SCe)



BME5-29

Service item	F.R.T.	Ref. No.	Part No.	Description	Reqd. No.				Serial No.	Area code
					CBX 600Ed	CBX 650Ed	D	CB650SC E F		
FORK ASSY., FR. (ADD 0.2 FOR EACH.)	0.5	1	51400-ME5-003	FORK ASSY., R. FR.	1	1	1	1		
• SPRING, FR. CUSHION		2	51401-ME5-003	SPRING, FR. CUSHION	2	2	2	2		
• CASE ASSY., L. PISTON	0.2	3	51402-MB7-611	SPRING, OIL LOCK	1	1	1	1		
• SPRING, FR. CUSHION		4	51403-MB7-611	VALVE, OIL LOCK	1	1	1	1		
• PIPE COMP., FR. FORK (ADD 0.6 FOR EACH.)	0.9	5	51403-ME5-003	PLATE, SPRING JOINT	2	2	2	2		
• CASE COMP., R. BOTTOM (L. SIDE 1.0) (ADD 0.6 FOR EACH.)		6	51404-MB7-611	SEAT, SPRING	1	1	1	1		
• ROD, ADJUSTING	0.4	7	51405-MB7-611	RING, STOPPER	2	2	2	2		
• O-RING C.		8	51406-MB1-771	RING, STOPPER	1	1	1	1		
• VALVE COMP., AIR	0.1	9	51406-ME5-003	COLLAR, SPRING	2	2	2	2		
• SEAL SET, FR. FORK (ADD 0.5 FOR EACH.)	0.8	10	51410-ME5-003	PIPE COMP., R. FR. FORK	1	1	1	1		
		11	51411-ME5-003	SPRING, REBOUND	2	2	2	2		
		12	51412-463-305	RING, BACK UP	2	2	2	2		
		13	51414-463-003	BUSH, FORK PIPE	2	2	2	2		
		14	51415-MB9-781	BUSH, SLIDER	1	1	1	1		
		15	51415-463-003	SLEEVE, FORK PIPE	1	1	1	1		
		16	51417-ME1-671	PACKING, PISTON CASE	1	1	1	1		
		17	51418-ME1-671	SPRING, PISTON	1	1	1	1		

H 10

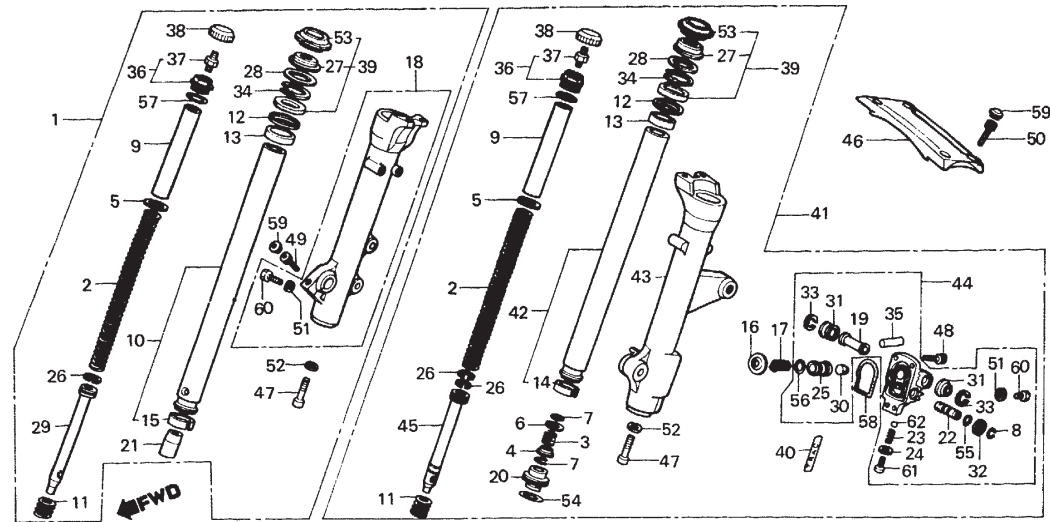
F-9

Front fork
(CBX600Ed•CBX650Ed•CB650SCd•SCe)

Fourche avant
(CBX600Ed•CBX650Ed•CB650SCd•SCe)

Vordergabel
(CBX600Ed•CBX650Ed•CB650SCd•SCe)

Horquilla delantero
(CBX600Ed•CBX650Ed•CB650SCd•SCe)



BME5-29

Service item	F.R.T.	Ref. No.	Part No.	Description	Reqd. No.						Serial No.	Area code
					CBX 600Ed	CBX 650Ed	D	E	CB650SC	F		
		18	51421-ME5-003	CASE COMP., R. BOTTOM	1	1	1	1				
		19	51423-MB1-771	COLLAR, PISTON	1	1	1	1				
		20	51432-MB7-611	PIECE, OIL LOCK	1	1	1	1				
		21	51432-463-003	PIECE, OIL LOCK	1	1	1	1				
		22	51433-MB1-771	ROD, ADJUSTING	1	1	1	1				
		23	51434-MC7-003	SPRING, CLICK	1	1	1	1				
		24	51435-MC7-003	WASHER, SPECIAL, 5MM	1	1	1	1				
		25	51436-MB1-771	PISTON	1	1	1	1				
		26	51437-ME5-003	RING, PISTON	3	3	3	3				
		27	51438-MB9-781	HOLDER, GREASE	2	2	2	2				
		28	51439-MB9-781	WASHER, HOLDER	2	2	2	2				
		29	51440-ME5-003	PIPE, SEAT	1	1	1	1				
		30	51441-MC7-003	RUBBER, STOPPER	1	1	1	1				
		31	51442-MC7-003	BOOT, PISTON CASE	2	2	2	2				
		32	51444-MB1-771	WASHER, L. SIDE	1	1	1	1				
		33	51445-MC7-003	HOLDER, BOOT	2	2	2	2				
		34	51447-463-003	CIRCLIP, INTERNAL	2	2	2	2				
		35	51448-MB1-771	PIN, PARALLEL	1	1	1	1				

H 11

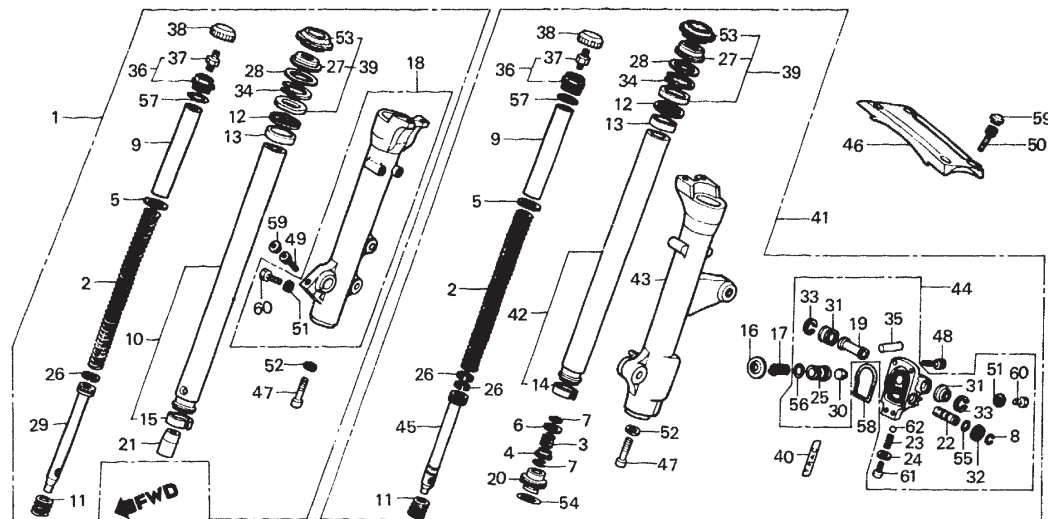
F-9

Front fork
(CBX600Ed•CBX650Ed•CB650SCd•SCE)

Fourche avant
(CBX600Ed•CBX650Ed•CB650SCd•SCE)

Vordergabel
(CBX600Ed•CBX650Ed•CB650SCd•SCE)

Horquilla delantero
(CBX600Ed•CBX650Ed•CB650SCd•SCE)



BME5-29

Service item	F.R.T.	Ref. No.	Part No.	Description	Reqd. No.				Serial No.	Area code
					CBX 600Ed	CBX 650Ed	D	E		
		36	51450-ME5-003	BOLT ASSY., FR. FORK	2	2	2	2		
		37	51456-469-013	VALVE COMP., AIR (SHOWA)	2	2	2	2		
		38	51457-MG1-003	CAP, AIR VALVE	2	2	2	2		
		39	51490-MB9-781	SEAL SET, FR. FORK	2	2	2	2		
		40	51496-MC7-670	MARK, FR. FORK	1	1	1	1		
		41	51500-ME5-003	FORK ASSY., L. FR.	1	1	1	1		
		42	51510-ME5-003	PIPE COMP., L. FR. FORK	1	1	1	1		
		43	51521-ME5-003	CASE COMP., L. BOTTOM	1	1	1	1		
		44	51530-MB1-771	CASE ASSY., L. PISTON	1	1	1	1		
		45	51540-ME5-003	PIPE, L. SEAT	1	1	1	1		
		46	53240-MB1-010	STABILIZER, FR. FORK	1	1	1			CM,SD,2G
			53240-MB1-030	STABILIZER, FR. FORK	1				2001697	ED,F,U,1G
									2001698	ED,F,U,1G
		47	90116-ME1-671	BOLT, SOCKET, 8MM	2	2	2	2		
		48	90118-MC7-003	BOLT, SOCKET	4	4	4	4		
		49	90152-ME5-000	BOLT, SOCKET, 8X28	1	1	1	1		
		50	90153-MB0-000	BOLT, SOCKET, 8X17	4	4	4	4		

H 12

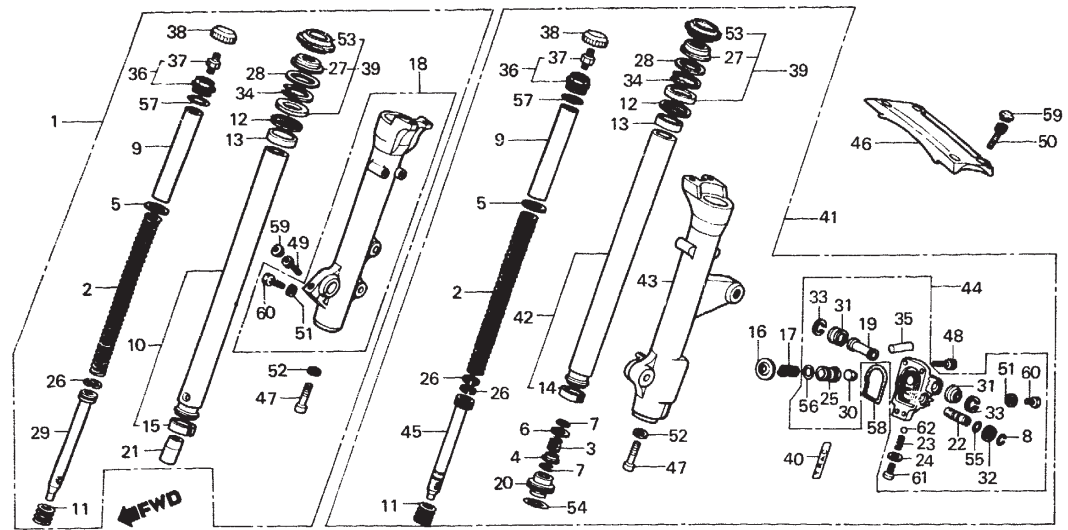
F-9

Front fork
(CBX600Ed•CBX650Ed•CB650SCd•SCE)

Fourche avant
(CBX600Ed•CBX650Ed•CB650SCd•SCE)

Vordergabel
(CBX600Ed•CBX650Ed•CB650SCd•SCE)

Horquilla delantero
(CBX600Ed•CBX650Ed•CB650SCd•SCE)



BME5-29

Service item	F.R.T.	Ref. No.	Part No.	Description	Reqd. No.				Serial No.	Area code
					CBX 600Ed	CBX 650Ed	CB650SC D	CB650SC E F		
		51	90543-273-000	PACKING, FR. FORK DRAIN COCK	2	2	2	2		
		52	90544-283-000	WASHER, SPECIAL, 8MM	2	2	2	2		
		53	91254-463-003	DUST SEAL	2	2	2	2		
		54	91302-MA3-661	O-RING, 35.5X2	1	1	1	1		
		55	91305-MC7-003	O-RING D, 13.8X2.4	1	1	1	1		
		56	91306-MC7-003	O-RING (E), 33.5X2	1	1	1	1		
		57	91356-MA3-661	O-RING, 29.2X3.5	2	2	2	2		
		58	91399-MB0-003	O-RING, 49.4X3.1	1	1	1	1		
		59	91455-MB0-000	CAP, SOCKET BOLT, 8MM	5	5	5	5		
		60	92000-06008-0A	BOLT, HEX., 6X8	2	2	2	2		
		61	93500-05010-1A	SCREW, PAN, 5X10	1	1	1	1		
		62	96211-05000	BALL, STEEL, #5 (5/32)	1	1	1	1		

H 13

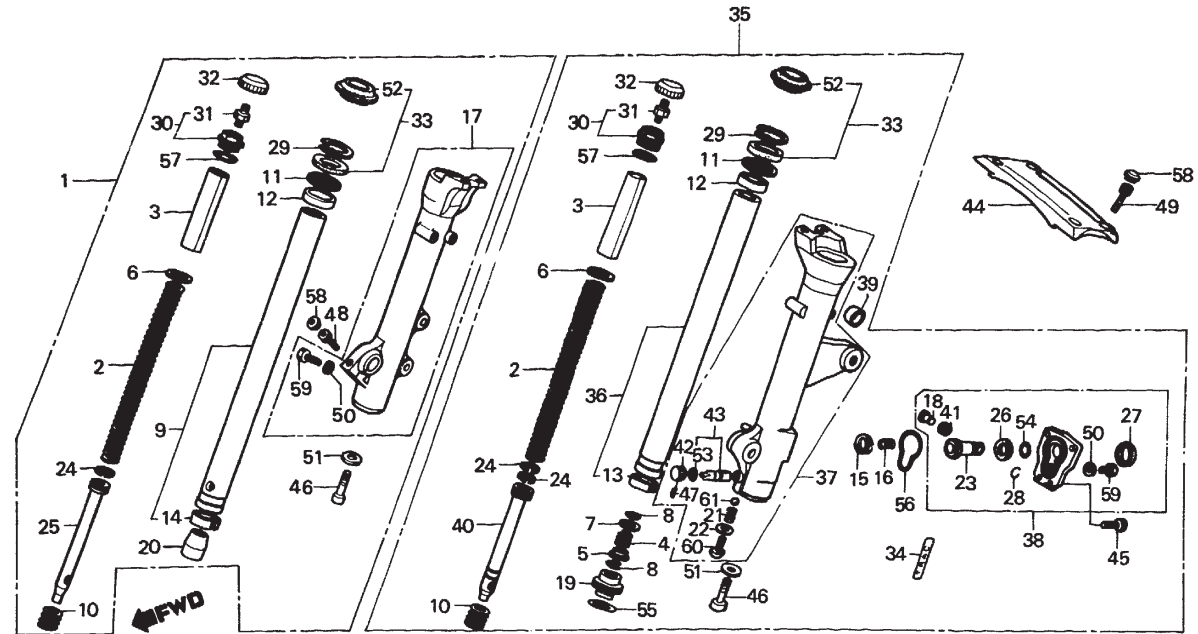
F-9-1

Front fork
(CB650SCF)

Fourche avant
(CB650SCF)

Vordergabel
(CB650SCF)

Horquilla delantero
(CB650SCF)



BME5-109

Service item	F.R.T.	Ref. No.	Part No.	Description	Reqd. No.			Serial No.	Area code
					CBX 600Ed	CBX 650Ed	CB650SC D E F		
FORK ASSY., FR. (ADD 0.2 FOR EACH.)	0.5	1	51400-ME5-781	FORK ASSY., R. FR.			1		
• CASE COMP., PISTON SPRING, FR. CUSHION	0.2	2	51401-ME5-781	SPRING, FR. CUSHION			2		
PIPE COMP., FR. FORK (ADD 0.6 FOR EACH.)	0.9	3	51402-KL3-671	COLLAR, SPRING			2		
• CASE COMP., R. BOTTOM (L. SIDE 1.0) (ADD 0.6 FOR EACH.)		4	51402-MB7-611	SPRING, OIL LOCK			1		
VALVE COMP., AIR	0.1	5	51403-MB7-611	VALVE, OIL LOCK			1		
SEAL SET, FR. FORK (ADD 0.5 FOR EACH.)	0.8	6	51403-ME5-003	PLATE, SPRING JOINT			2		
ROD SET, ADJUSTER	0.4	7	51404-MB7-611	SEAT, SPRING			1		
• O-RING, 49.4X3.1		8	51405-MB7-611	RING, STOPPER			2		
		9	51410-ME5-781	PIPE COMP., R. FR. FORK			1		
		10	51411-ME5-003	SPRING, REBOUND			2		
		11	51412-463-003	RING, BACK UP			2		
		12	51414-463-003	BUSH, FORK PIPE			2		
		13	51415-MB9-781	BUSH, SLIDER			1		
		14	51415-463-003	SLEEVE, FORK PIPE			1		
		15	51417-MJ0-003	PACKING			1		
		*	51417-MJ0-013	PACKING			1	FM203603	CM
							1	FM203604	CM IT

H 14

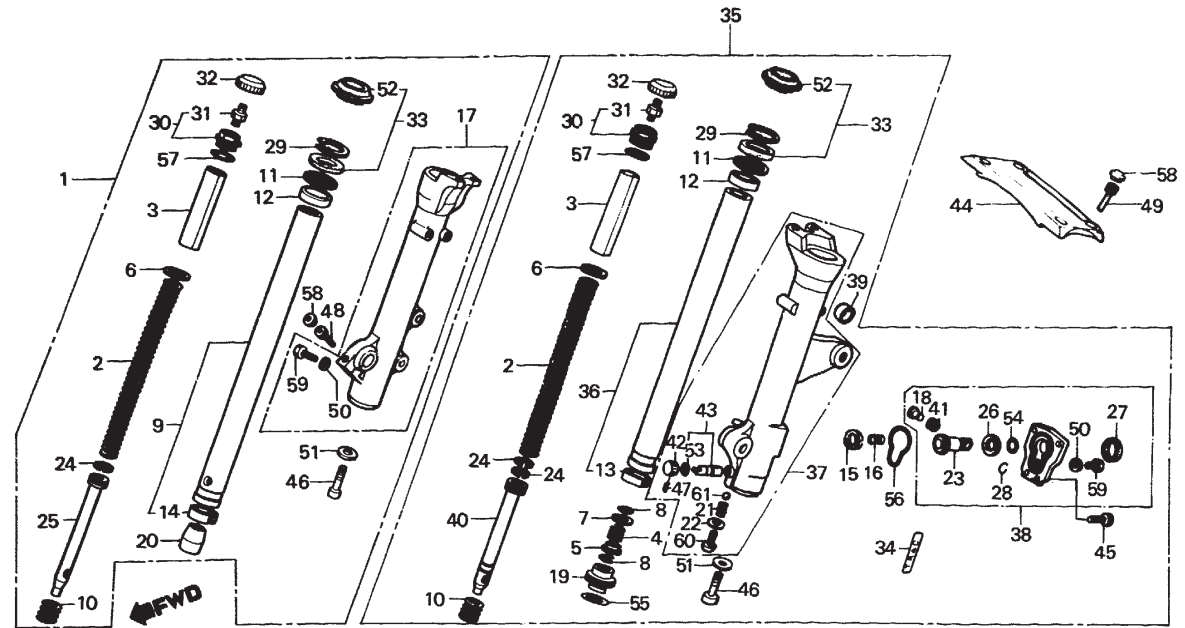
F-9-1

Front fork
(CB650SCF)

Fourche avant
(CB650SCF)

Vordergabel
(CB650SCF)

Horquilla delantero
(CB650SCF)



BME5-109

Service item	F.R.T.	Ref. No.	Part No.	Description	Reqd. No.				Serial No.	Area code
					CBX	CBX	CB650SC	F		
					600Ed	650Ed	D	E		
		16	51418-MJ0-003	SPRING, PISTON					1	
		17	51421-ME5-781	CASE COMP., R. BOTTOM					1	
		18	51423-MJ0-003	COLLAR, PISTON					1	
		19	51432-MB7-611	PIECE, OIL LOCK					1	
		20	51432-ME5-781	PIECE, OIL LOCK					1	
		21	51434-MC7-003	SPRING, CLICK					1	
		22	51435-MC7-003	WASHER, SPECIAL, 5MM					1	
		23	51436-MJ0-003	PISTON					1	
		24	51437-ME5-003	RING, PISTON					3	
		25	51440-ME5-781	PIPE, SEAT					1	
		26	51441-MJ0-003	RUBBER, STOPPER					1	
		27	51442-MJ0-003	BOOT, PISTON CASE					1	
		28	51445-MJ0-003	RING, STOPPER					1	
		29	51447-463-003	CIRCLIP, INTERNAL					2	
		30	51450-ME5-003	BOLT ASSY., FR. FORK					2	
		31	51456-469-013	VALVE COMP., AIR (SHOWA)					2	
		32	51457-MG1-003	CAP, AIR VALVE					2	

H 15

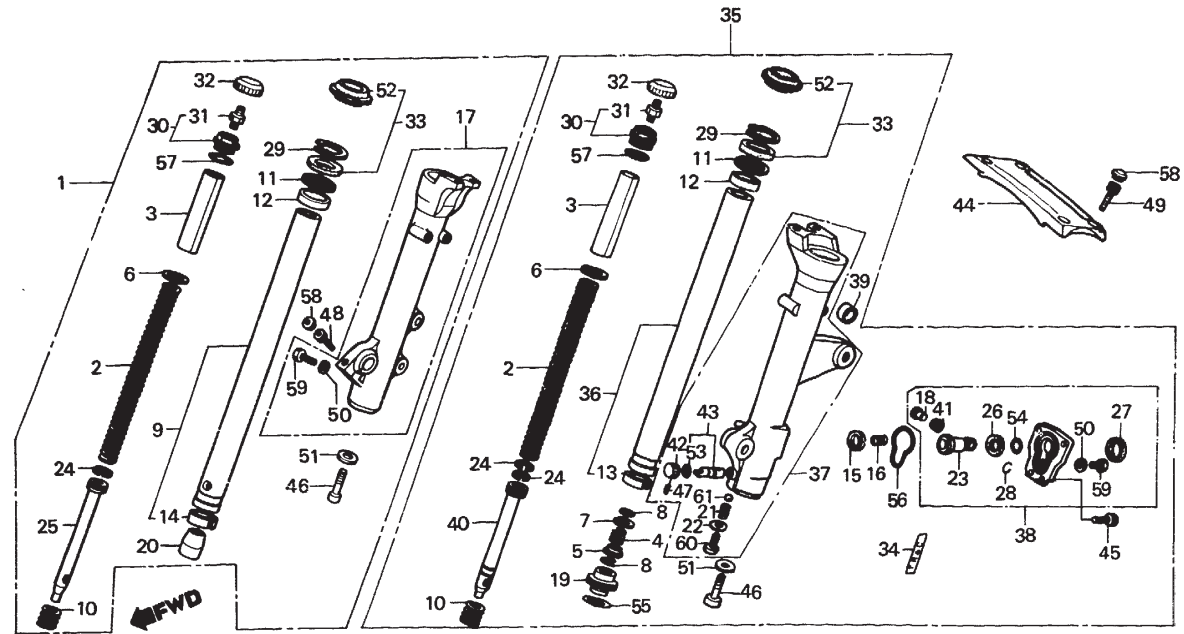
F-9-1

Front fork
(CB650SCF)

Fourche avant
(CB650SCF)

Vordergabel
(CB650SCF)

Horquilla delantero
(CB650SCF)



BME5-109

Service item	F.R.T.	Ref. No.	Part No.	Description	Reqd. No.			Serial No.	Area code
					CBX 600Ed	CBX 650Ed	CB650SC D E F		
		33	51490-MB9-782	SEAL SET, FR. FORK			2		
		34	51496-MC7-670	MARK, FR. FORK			1		
		35	51500-ME5-781	FORK ASSY., L. FR.			1	FM203603	CM
		*	51500-ME5-782	FORK ASSY., L. FR.			1	FM203604	CM IT
		36	51510-ME5-781	PIPE COMP., L. FR. FORK			1		
		37	51521-ME5-781	CASE COMP., L. BOTTOM			1		
		38	51530-MB3-671	CASE COMP., PISTON			1		
		39	51532-MB2-300	BUSH, PIVOT			1		
		40	51540-ME5-781	PIPE B, SEAT			1		
		41	51545-MJ0-003	BUSH, RUBBER			1		
		42	51558-MJ0-003	PLATE COMP., ADJUSTER			1		
		*43	51591-MJ0-305	ROD SET, ADJUSTER			1		
		44	53240-MB1-030	STABILIZER, FR. FORK			1		
		45	90116-MJ0-003	BOLT, SOCKET, 6MM			4	FM203603	CM
		*	96800-06016-17	BOLT, SOCKET, 6X16			4	FM203604	CM IT

H 16

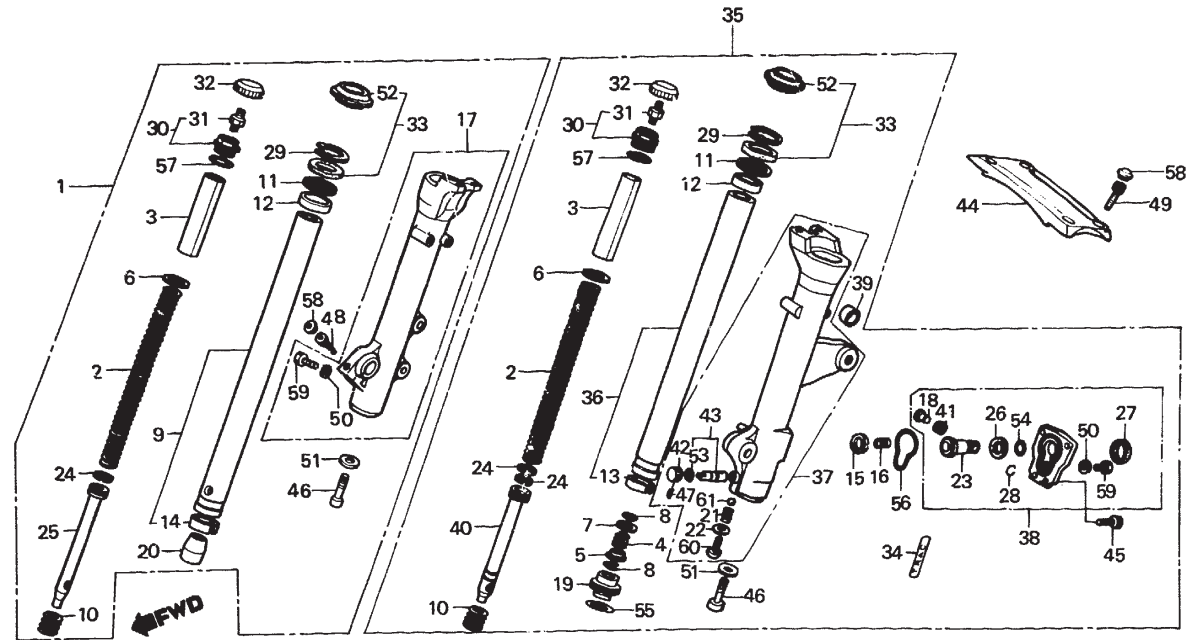
F-9-1

Front fork
(CB650SCF)

Fourche avant
(CB650SCF)

Vordergabel
(CB650SCF)

Horquilla delantero
(CB650SCF)



BME5-109

Service item	F.R.T.	Ref. No.	Part No.	Description	Regd. No.			Serial No.	Area code
					CBX 600Ed	CBX 650Ed	CB650SC D E F		
		46	90116-283-010	BOLT, SOCKET, 8MM			2	FM203603	CM
		*	90116-383-721	BOLT, SOCKET, 8MM (SHOWA)			2	FM203604	CM
							2		IT
		47	90150-MJ0-003	SCREW, SOCKET			1		
		48	90152-ME5-000	BOLT, SOCKET, 8X28			1		
		49	90153-MB0-000	BOLT, SOCKET, 8X17			4		
		50	90543-273-000	PACKING, FR. FORK DRAIN COCK			2		
							2		
		51	90544-283-000	WASHER, SPECIAL, 8MM			2		
		52	91254-463-003	DUST SEAL			2		
		*53	91301-MJ0-003	O-RING, 7.8X1.9			1		
		*54	91304-MJ0-003	O-RING, 15.8X2.4			1		
		55	91305-MJ0-003	O-RING, 36.5X2.7			1		
							1		
		*56	91308-MJ0-003	O-RING			1		
		57	91356-MA3-661	O-RING, 29.2X3.5			2		
		58	91455-MB0-000	CAP, SOCKET BOLT, 8MM			5		
		59	92000-06008-0A	BOLT, HEX., 6X8			2		
		60	93500-05010-1A	SCREW, PAN, 5X10			1		

I 1

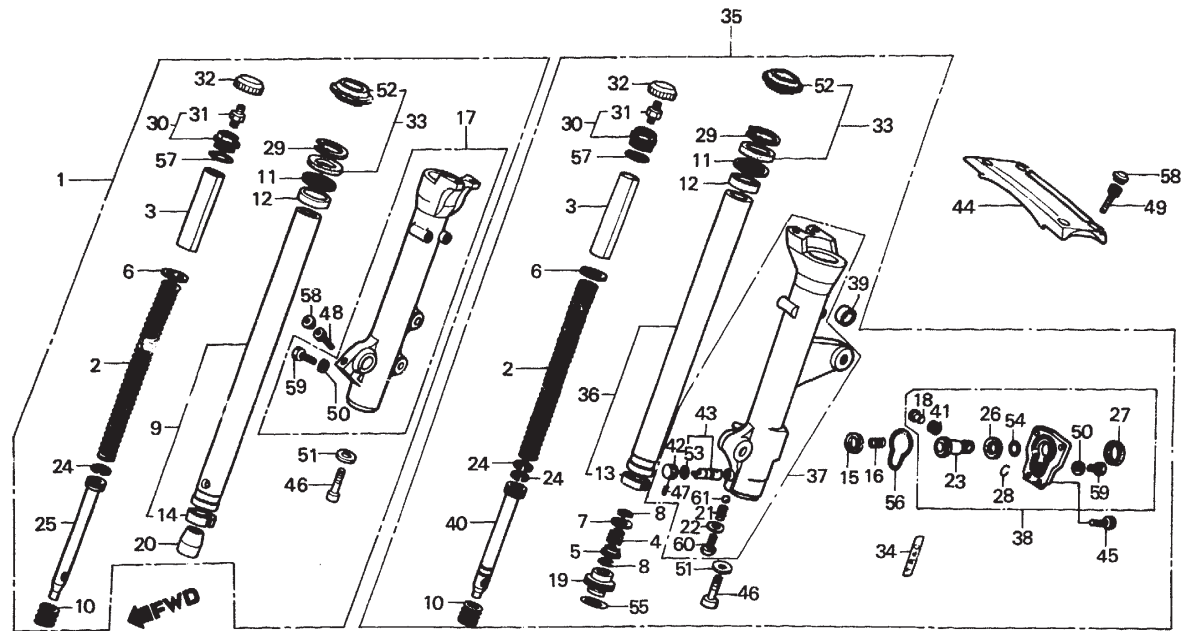
F-9-1

Front fork
(CB650SCF)

Fourche avant
(CB650SCF)

Vordergabel
(CB650SCF)

Horquilla delantero
(CB650SCF)



BME5-109

Service item	F.R.T.	Ref. No.	Part No.	Description	Reqd. No.			Serial No.	Area code
					CBX	600Ed	650Ed		
		61	96211-05000	BALL, STEEL, #5 (5/32)			1		

I 2

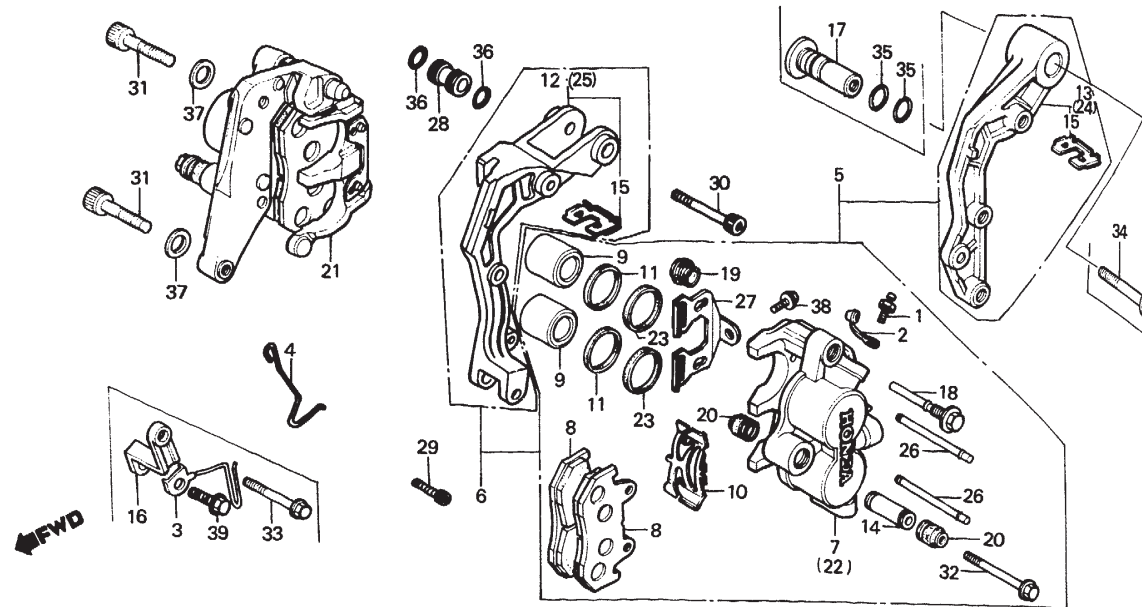
F-10

Front brake caliper

Etrier de frein avant

Vorderradbremssattel

Calibrador de freno delantero



BME5-30A

Service item	F.R.T.	Ref. No.	Part No.	Description	Reqd. No.					Serial No.	Area code
					CBX 600Ed	CBX 650Ed	D	E	F		
CALIPER ASSY., FR. (ADD 0.1 FOR EACH.)	0.3	1	43352-568-003	SCREW, BLEEDER	2	2	2	2	2		
CALIPER COMP.	0.5	2	43353-461-771	CAP, BLEEDER	2	2	2	2	2		
CALIPER COMP. (ADD 0.3 FOR EACH.)	0.5	3	44832-MB1-000	CLAMP, SPEEDOMETER CABLE	1	1	1	1			
PAD COMP.	0.1	4	44832-ME2-000	CLAMP, SPEEDOMETER CABLE						1	
PISTON	0.4	5	45100-ME1-671	CALIPER ASSY., L. FR.	1	1	1	1			
(INC. RELATIVE PART) (ADD 0.1 FOR EACH.)	0.4	5	45100-ME1-672	CALIPER ASSY., L. FR.	1	1	1	1			
BRACKET COMP., FR.	0.2	6	45100-ME5-781	CALIPER ASSY., L. FR.						1	
	0.2	6	45100-ME5-782	CALIPER ASSY., L. FR.						1	
	0.2	7	45101-MA3-006	CALIPER COMP., L.	1	1	1	1	1		
	0.2	8	45105-MC7-007	PAD COMP. (ASK)	4	4	4	4	4		
	0.2	8	45105-MC7-014	PAD COMP. (JB)	4	4	4	4	4		
	0.2	9	45107-MA3-006	PISTON	4	4	4	4	4		
	0.2	10	45108-MA3-006	SPRING, PAD	2	2	2	2	2		
	0.2	11	45109-166-006	DUST SEAL	4	4	4	4	4		
	0.2	12	45110-MB3-006	BRACKET COMP., L. FR.						1	
	0.2	13	45110-ME1-671	BRACKET COMP., L. FR.	1	1	1	1			
	0.2	14	45111-MA3-006	SLEEVE	2	2	2	2	2		

I 3

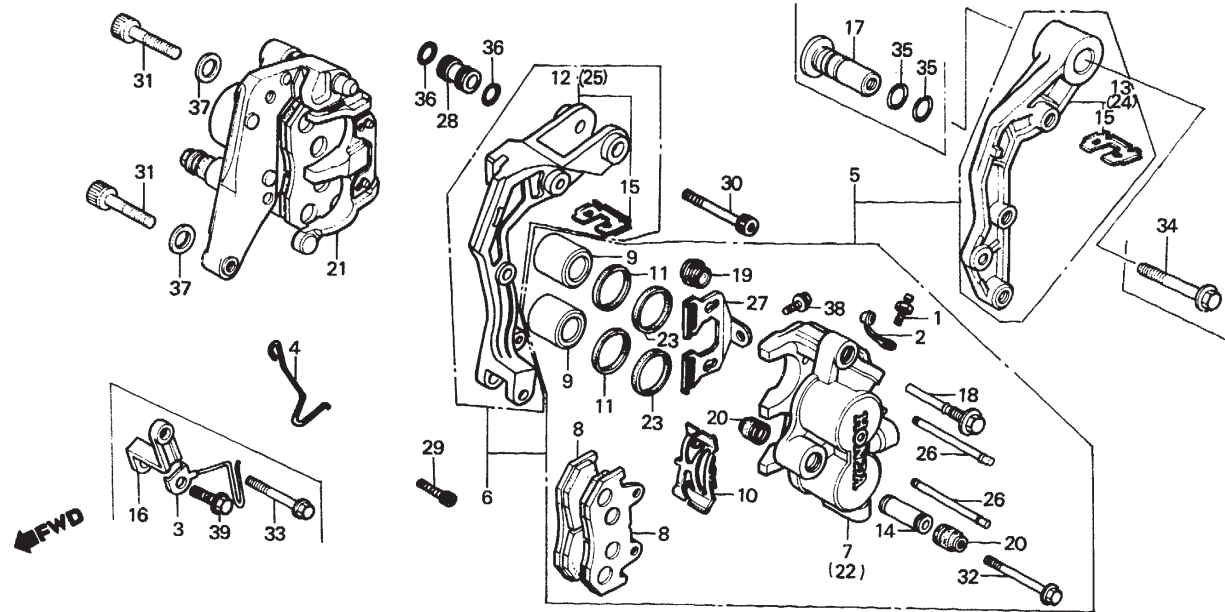
F-10

Front brake caliper

Etrier de frein avant

Vorderradbremssattel

Calibrador de freno delantero



BME5-30A

Service item	F.R.T.	Ref. No.	Part No.	Description	Reqd. No.					Serial No.	Area code
					CBX 600Ed	CBX 650Ed	D	E	F		
		15	45112-445-631	RETAINER, BRACKET	2	2	2	2	2		
		16	45113-ME1-670	BRIDGE, CALIPER BRACKET	1	1	1	1			
		17	45114-MB7-610	SLEEVE, FR. CALIPER BRACKET	1	1	1	1			
		18	45131-MA3-006	BOLT, PIN	2	2	2	2	2		
		19	45133-MA3-006	BOOT B	2	2	2	2	2		
		20	45133-166-016	BOOT, PIN	4	4	4	4	4		
		21	45200-ME1-671	CALIPER ASSY., R. FR.	1	1	1	1			
			45200-ME1-672	CALIPER ASSY., R. FR.	1	1	1	1			
			45200-ME5-781	CALIPER ASSY., R. FR.					1		
			45200-ME5-782	CALIPER ASSY., R. FR.					1		
		22	45201-MA3-006	CALIPER COMP., R.	1	1	1	1	1		
		23	45209-166-006	SEAL, PISTON	4	4	4	4	4		
		24	45210-MA5-006	BRACKET, R. FR.	1	1	1	1			
		25	45210-MB4-006	BRACKET COMP., R. FR.					1		
		26	45215-MA3-006	PIN, HANGER	4	4	4	4	4		
		27	45217-MA3-006	PLATE	2	2	2	2			
			45217-MJ0-006	PLATE					2		

I 4

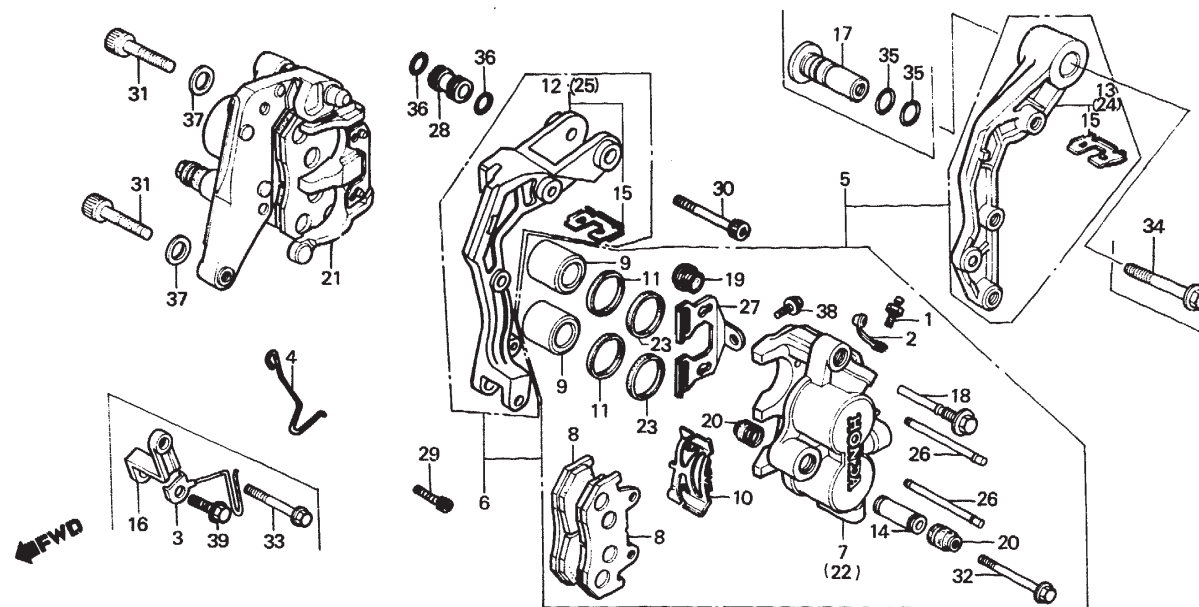
F-10

Front brake caliper

Etrier de frein avant

Vorderradbremssattel

Calibrador de freno delantero



BME5-30A

Service item	F.R.T.	Ref. No.	Part No.	Description	Reqd. No.				Serial No.	Area code
					CBX 600Ed	CBX 650Ed	D	E		
		28	51536-MB2-000	SLEEVE, FR. CALIPER BRACKET						1
		29	90105-MJ1-000	BOLT, SOCKET, 6X25						1
		30	90131-MB2-000	BOLT, SOCKET, 10X40						1
		31	90164-460-840	BOLT, SOCKET, 10X40	2	2	2	2	2	
		32	90180-MA3-006	BOLT, FLANGE, 8X49	2	2	2	2	2	
		33	90180-MA3-660	BOLT, FLANGE, 8X55	1	1	1	1	1	
		34	90185-MC7-013	BOLT, FLANGE, 10X50	1	1	1	1	1	
		35	91302-MC7-611	O-RING, 16.8X1.9	2	2	2	2		
		36	91308-MC7-003	O-RING D, 13.8X2.4						2
		37	94102-10000	WASHER, PLAIN, 10MM	2	2	2	2	2	
		38	95700-06010-07	BOLT, FLANGE, 6X10	2	2	2	2	2	
		39	95700-08020-07	BOLT, FLANGE, 8X20	1	1	1	1	1	

I 5

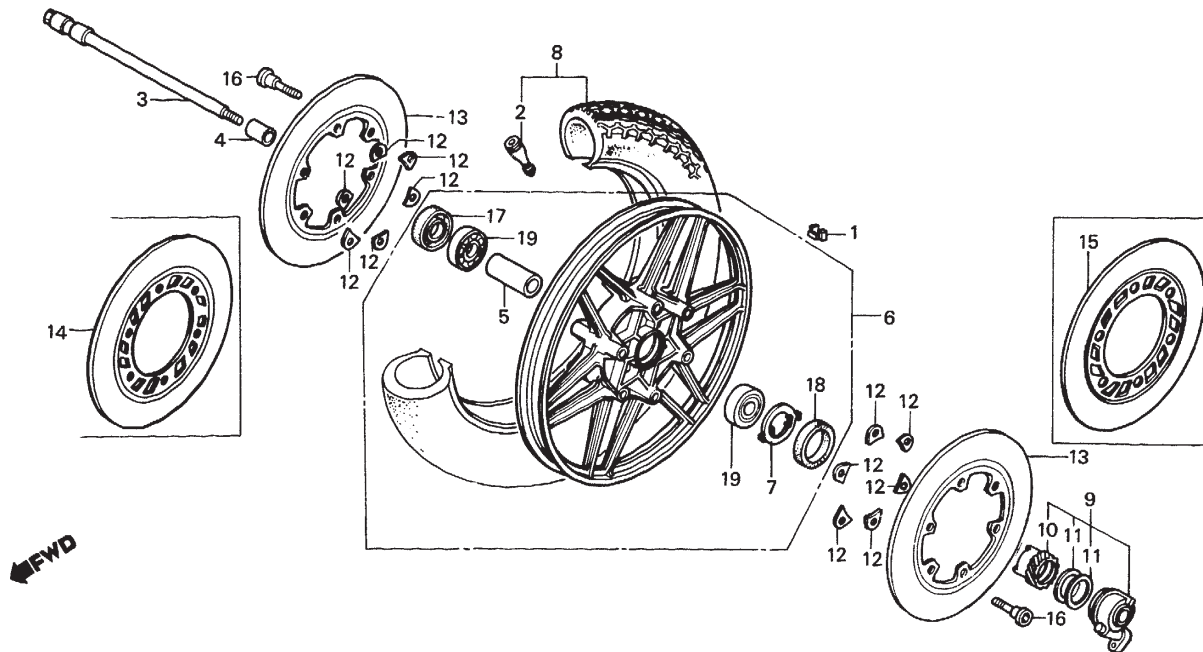
F-11

Front wheel

Roue avant

Vorderrad

Rueda delantera



BME5-31C

Service item	F.R.T.	Ref. No.	Part No.	Description	Reqd. No.					Serial No.	Area code
					CBX 600Ed	CBX 650Ed	D	CB650SC E	F		
WEIGHT, BALANCE	0.8	1	42704-MB0-000	WEIGHT, BALANCE (10G)	N	N	N	N	N		
AXLE, FR. WHEEL	0.3		42705-MB0-000	WEIGHT, BALANCE (20G)	N	N	N	N	N		
• BOX ASSY., SPEEDOMETER GEAR			42706-MB0-000	WEIGHT, BALANCE (30G)	N	N	N	N	N		
• DUST SEAL, 22X42X7		2	42753-415-006	VALVE, RIM (YOKOHAMA)	1	1			1		ED,F,IT,SD,U,1G,2G
• DUST SEAL, 40X50X5			42753-425-003	VALVE, RIM (BS)	1	1	1	1	1		
COLLAR, FR. WHEEL DISTANCE	0.5		42753-425-004	VALVE, RIM (DUNLOP)	1	1	1	1	1		
• BEARING, RADIAL BALL, 6302U (ADD 0.1 FOR EACH.)		3	44301-461-770	AXLE, FR. WHEEL	1	1	1	1	1		
WHEEL COMP., FR.	1.1	4	44311-460-840	COLLAR, FR. WHEEL SIDE	1	1	1	1	1		
TIRE ASSY., FR.	0.9	5	44620-ME5-000	COLLAR, FR. WHEEL DISTANCE	1	1	1	1	1		
DISK, FR. BRAKE (ADD 0.1 FOR EACH.)	0.4	6	44650-ME5-305	WHEEL COMP., FR.	1	1	1	1	1		
		7	44680-410-000	RETAINER, GEAR BOX	1	1	1	1	1		
		8	44710-ME5-611	TIRE ASSY., FR.	1	1			1		ED,F,IT,SD,U,1G,2G
				(100/90-19 57H BS)							
			44710-ME5-612	TIRE ASSY., FR.	1	1			1		ED,F,IT,SD,U,1G,2G
				(100/90-19 57H DUNLOP)							
			44710-ME5-613	TIRE ASSY., FR.	1	1			1		ED,F,IT,SD,U,1G,2G
				(100/90-19 57H YOKOHAMA)							
			44710-ME5-671	TIRE ASSY., FR.			1	1	1		CM
				(100/90-19 57H BS)							

I 6

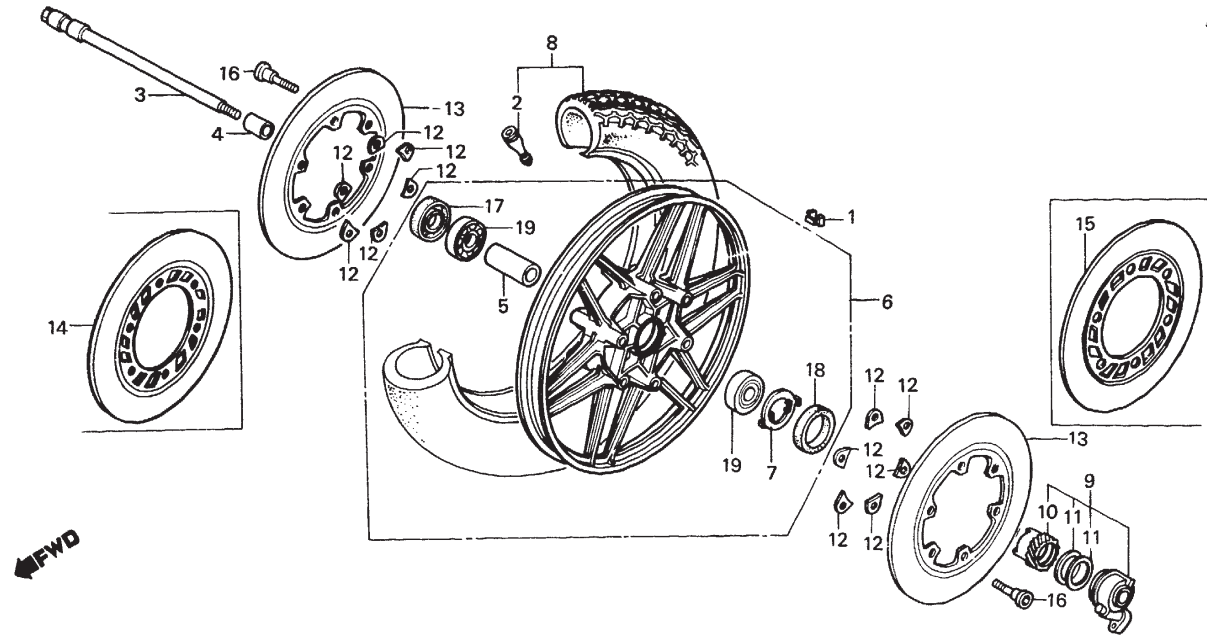
F-11

Front wheel

Roue avant

Vorderrad

Rueda delantera



BME5-31C

Service item	F.R.T.	Ref. No.	Part No.	Description	Reqd. No.						Serial No.	Area code
					CBX 600Ed	CBX 650Ed	D	E	F	CB650SC		
			44710-ME5-672	TIRE ASSY., FR. (100/90-19 57H DUNLOP)		1	1	1				CM
		9	44800-MB0-003	BOX ASSY., SPEEDOMETER GEAR	1	1	1	1	1			
		10	44806-MB0-003	GEAR, SPEEDOMETER	1	1	1	1	1			
		11	44809-402-000	WASHER, SPEEDOMETER GEAR	2	2	2	2	2			
		12	45128-ME2-003	SHIM, DAMPING	12	12	12	12	12			
		13	45251-ME5-780	DISK, FR. BRAKE							2	
		14	45251-MG5-670	DISK, R. FR. BRAKE	1	1	1	1				
		15	45351-MG5-670	DISK, L. FR. BRAKE	1	1	1	1				
		16	90105-ME2-000	BOLT, FR. DISK, 8X59	12	12	12	12	12			
		17	91252-MC7-003	DUST SEAL, 22X42X7	1	1	1	1	1			
		18	91258-410-013	DUST SEAL, 40X50X5 (ARAI)	1	1	1	1	1			
		19	96140-63020-10	BEARING, RADIAL BALL, 6302U	2	2	2	2	2			

I 7

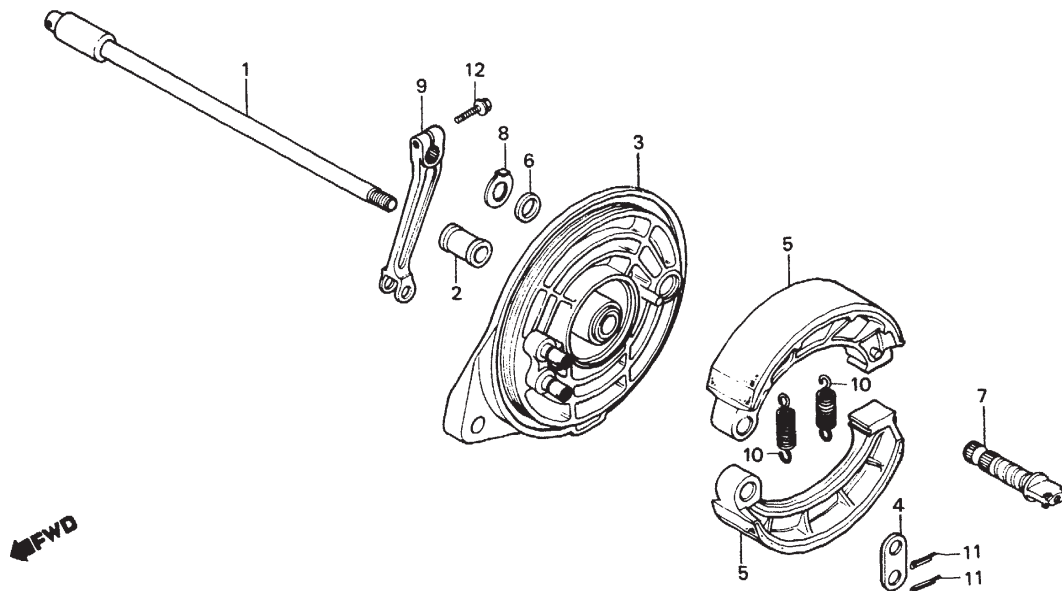
F-12

Rear brake panel

Plateau de frein arrière

Hinterradbremssankerplatte

Panel de freno trasero



BME5-32

Service item	F.R.T.	Ref. No.	Part No.	Description	Reqd. No.					Serial No.	Area code
					CBX 600Ed	CBX 650Ed	D	E	F		
AXLE, RR. WHEEL	0.4	1	42301-ME5-000	AXLE, RR. WHEEL	1	1	1	1	1		
PANEL COMP., RR. (INC. RELATIVE PART)	0.6	2	42313-ME5-000	COLLAR, RR. WHEEL SIDE	1	1	1	1	1		
SHOE COMP., RR. BRAKE (ONE OR ALL)	0.5	3	43100-ME5-000	PANEL COMP., RR.	1	1	1	1	1		
ARM, RR. BRAKE	0.1	4	43102-319-000	WASHER, ANCHOR PIN	1	1	1	1	1		
		5	43120-415-000	SHOE COMP., RR. BRAKE	2	2	2	2	2		
		6	43134-300-000	DUST SEAL, BRAKE CAM	1	1	1	1	1		
		7	43141-MB0-000	CAM, RR. BRAKE	1	1	1	1	1		
		8	43145-ME5-000	INDICATOR, RR. BRAKE	1	1	1	1	1		
		9	43410-ME5-000	ARM, RR. BRAKE	1	1	1	1	1		
		10	45133-329-000	SPRING, FR. BRAKE SHOE	2	2	2	2	2		
		11	94201-25200	PIN, SPLIT, 2.5X20	2	2	2	2	2		
		12	95700-08025-00	BOLT, FLANGE, 8X25	1	1	1	1	1		

I 8

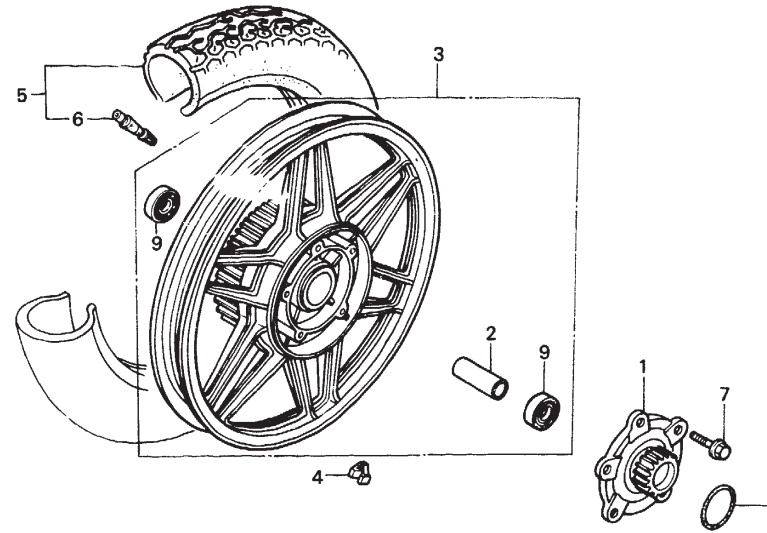
F-13

Rear wheel

Roue arrière

Hinterrad

Rueda trasera



BME5-33

Service item	F.R.T.	Ref. No.	Part No.	Description	Reqd. No.					Serial No.	Area code
					CBX 600Ed	CBX 650Ed	D	E	F		
FLANGE, FINAL DRIVEN	0.5	1	42615-MB0-700	FLANGE, FINAL DRIVEN	1	1	1	1	1		
COLLAR, AXLE DISTANCE	0.6	2	42620-ME5-000	COLLAR, AXLE DISTANCE	1	1	1	1	1		
BEARING, RADIAL BALL, 6303U (ADD 0.1 FOR EACH.)		3	42650-ME5-305	WHEEL COMP., RR.	1	1	1	1	1		
WHEEL COMP., RR.	1.2	4	42704-MB0-000	WEIGHT, BALANCE (10G)	N	N	N	N	N		
WEIGHT, BALANCE	0.9		42705-MB0-000	WEIGHT, BALANCE (20G)	N	N	N	N	N		
TIRE ASSY., RR.	1.1	5	42706-MB0-000	WEIGHT, BALANCE (30G)	N	N	N	N	N		
			42710-MB1-003	TIRE ASSY., RR. (130/90-16 67H BS)	1	1			1		ED,F,IT,SD,U,1G,2G
			42710-ME5-612	TIRE ASSY., RR. (130/90-16 67H DUNLOP)	1	1			1		ED,F,IT,SD,U,1G,2G
			42710-ME5-613	TIRE ASSY., RR. (130/90-16 67H YOKOHAMA)	1	1			1		ED,F,IT,SD,U,1G,2G
			42710-ME2-671	TIRE ASSY., RR. (130/90-16 67H BS)			1	1	1		CM
			42710-ME2-672	TIRE ASSY., RR. (130/90-16 67H DUNLOP)			1	1	1		CM
		6	42753-415-006	VALVE, RIM (YOKOHAMA)	1	1			1		ED,F,IT,SD,U,1G,2G
			42753-425-003	VALVE, RIM (BS)	1	1	1	1	1		
		*	42753-425-004	VALVE, RIM (DUNLOP)	1	1	1	1	1		
		7	90130-MC7-000	BOLT, UBS, 10X34	5	5	5	5	5		

I 9

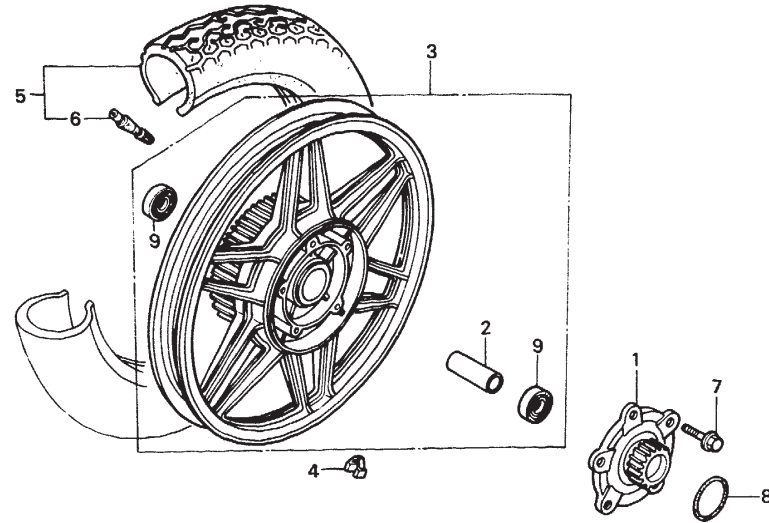
F-13

Rear wheel

Roue arrière

Hinterrad

Rueda trasera



BME5-33

Service item	F.R.T.	Ref. No.	Part No.	Description	Reqd. No.						Serial No.	Area code
					CBX 600Ed	CBX 650Ed	D	CB650SC E		F		
		8	91358-M80-000	O-RING, 46.5X3.5	1	1	1	1	1	1		
		9	96140-63030-10	BEARING, RADIAL BALL, 6303U	2	2	2	2	2	2		

I 10

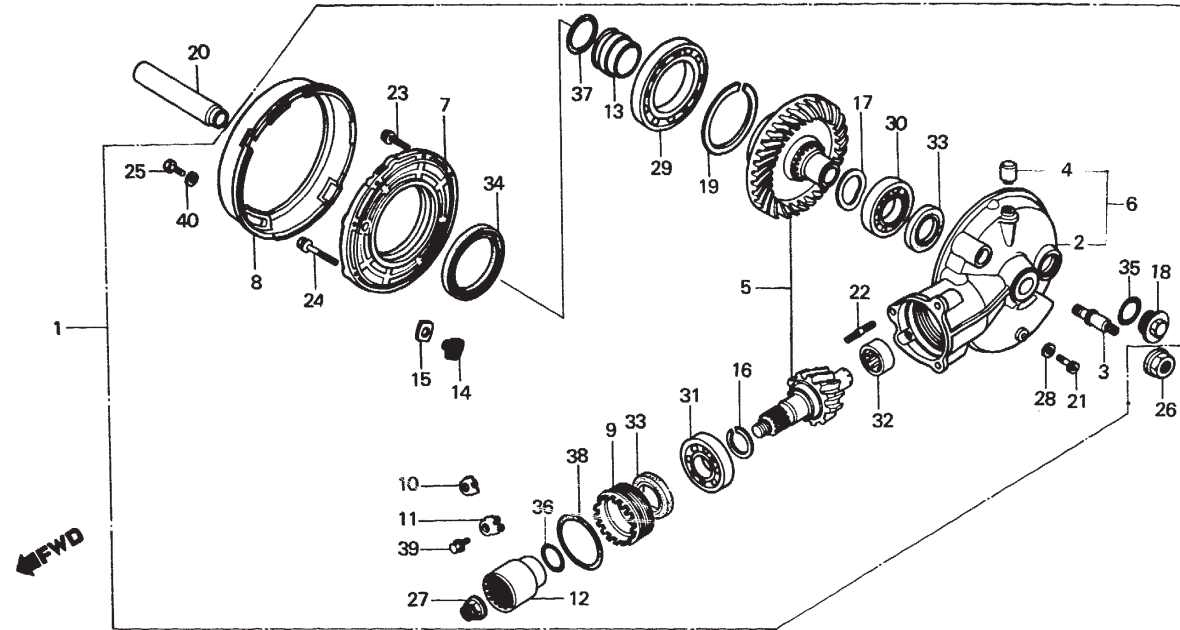
F-14

Final driven gear

Engrenages de réduction finals

Endabtriebsgetriebe

Engranaje mandedo final



BME5-34

Service item	F.R.T.	Ref. No.	Part No.	Description	Reqd. No.						Serial No.	Area code
					CBX 600Ed	CBX 650Ed	D	E	F	CB8650SC		
GEAR ASSY., FINAL DRIVEN	0.6	1	41300-ME5-000	GEAR ASSY., FINAL DRIVEN	1	1	1					
CASE, FINAL GEAR	2.4		41300-ME5-770	GEAR ASSY., FINAL DRIVEN					1	1		
GEAR SET, FINAL DRIVEN	2.1	2	41301-ME5-000	CASE, FINAL GEAR	1	1	1					
COVER, GEAR CASE	0.7		41301-ME5-770	CASE, FINAL GEAR					1	1		
• JOINT, PINION		3	41303-463-300	STAY, CUSHION UNDER	1	1	1	1	1	1		
• OIL SEAL, 60X80X8		4	41306-MB0-010	CAP, BREATHER	1	1	1	1	1	1		
• PLATE, DUST GUARD	0.4	5	41310-ME5-305	GEAR SET, FINAL DRIVEN	1	1	1	1	1	1		
• HOLDER, O-RING												
• COLLAR B, RR. DISTANCE		6	41311-ME5-770	CASE SET, FINAL					1	1		CM
• RETAINER, BEARING	0.8	7	41321-MB0-010	COVER, GEAR CASE	1	1	1					
• (INC. RELATIVE PART)			41321-ME5-770	COVER, GEAR CASE					1	1		
• SHIM A, PINION GEAR	1.3	8	41324-MB0-010	PLATE, DUST GUARD	1	1	1	1	1	1		
• BEARING, RADIAL BALL, 6305		9	41331-MB0-000	RETAINER, BEARING	1	1	1	1	1	1		
• SPACER A, RING GEAR	1.4	10	41332-415-000	LOCK A, BEARING ADJUSTING	1	1	1	1	1	1		
• BEARING, RADIAL BALL, 16012C3												
• BEARING, RADIAL BALL, 57/34C3	0.9	11	41333-415-000	LOCK B, BEARING ADJUSTING	1	1	1	1	1	1		
• OIL SEAL, 34X50X7		12	41410-ME5-000	JOINT, PINION	1	1	1	1	1	1		

I 11

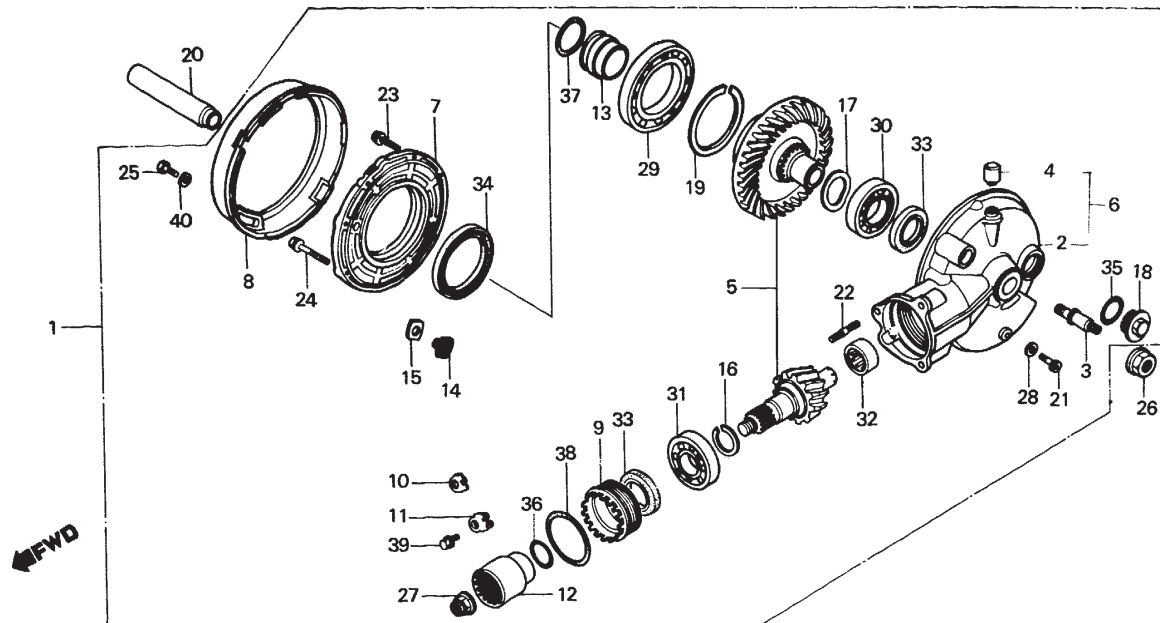
F-14

Final driven gear

Engrenages de réduction finals

Endabtriebsgetriebe

Engranaje mandedo final



BME5-34

Service item	F.R.T.	Ref. No.	Part No.	Description	Reqd. No.						Serial No.	Area code
					CBX 600Ed	CBX 650Ed	D	E	F	CB650SC		
		13	41433-MB0-010	HOLDER, O-RING	1	1	1	1	1			
		14	41436-MB0-310	PIN, RING GEAR STOPPER	1	1	1	1	1			
		15	41437-MB0-310	SHIM A, STOPPER PIN	1	1	1	1	1			
			41438-MB0-310	SHIM B, STOPPER PIN	1	1	1	1	N			
		16	41450-MB0-000	SHIM A, PINION GEAR (1.82)	1	1	1	1	1			
			41451-MB0-000	SHIM B, PINION GEAR (1.88)	1	1	1	1	1			
			41452-MB0-000	SHIM C, PINION GEAR (1.94)	1	1	1	1	1			
			41453-MB0-000	SHIM D, PINION GEAR (2.00)	1	1	1	1	1			
			41454-MB0-000	SHIM E, PINION GEAR (2.06)	1	1	1	1	1			
			41455-MB0-000	SHIM F, PINION GEAR (2.12)	1	1	1	1	1			
			41456-MB0-000	SHIM G, PINION GEAR (2.18)	1	1	1	1	1			

I 12

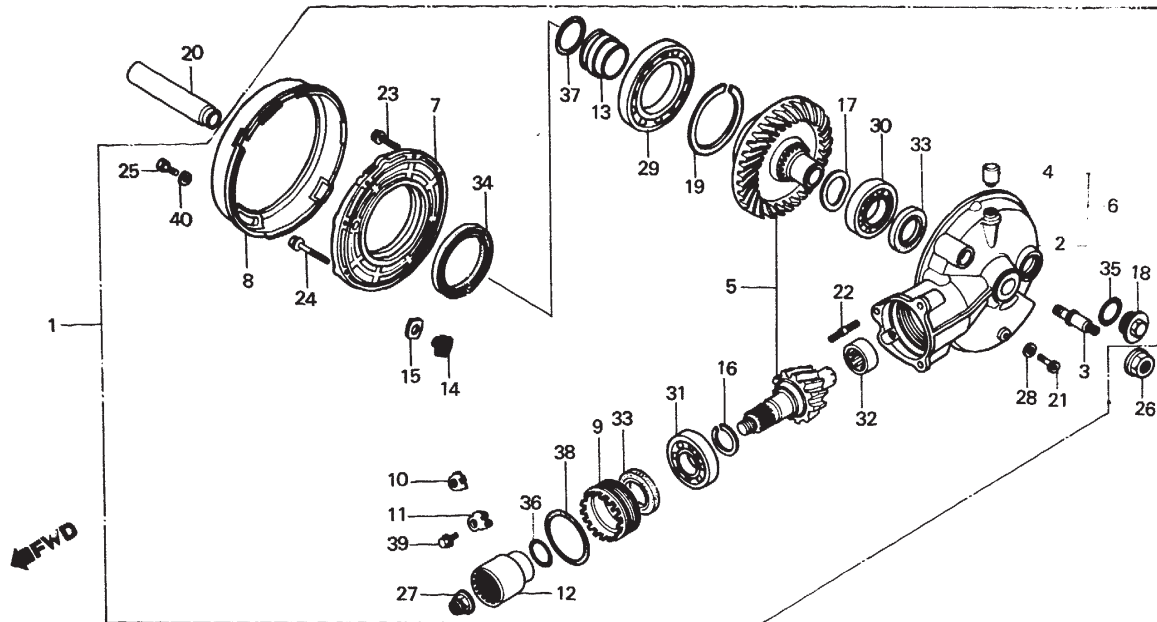
F-14

Final driven gear

Engrenages de réduction finals

Endabtriebsgetriebe

Engranaje mandedo final



BME5-34

Service item	F.R.T.	Ref. No.	Part No.	Description	Reqd. No.						Serial No.	Area code
					CBX 600Ed	CBX E50Ed	D	E	F	C9650SC		
		17	41510-MB0-003	WASHER, SPECIAL, 35X40	1	1	1	1	1	1		
		18	41511-ME5-000	CAP, GEAR CASE OIL	1	1	1	1	1	1		
		19	41530-MB0-000	SPACER A, RING GEAR (1.82)	1	1	1	1	1	1		
			41531-MB0-000	SPACER B, RING GEAR (1.88)	1	1	1	1	1	1		
			41532-MB0-000	SPACER C, RING GEAR (1.94)	1	1	1	1	1	1		
			41533-MB0-000	SPACER D, RING GEAR (2.00)	1	1	1	1	1	1		
			41534-MB0-000	SPACER E, RING GEAR (2.06)	1	1	1	1	1	1		
			41535-MB0-000	SPACER F, RING GEAR (2.12)	1	1	1	1	1	1		
			41536-MB0-000	SPACER G, RING GEAR (2.18)	1	1	1	1	1	1		
			41537-MB0-000	SPACER H, RING GEAR (2.24)	1	1	1	1	1	1		
			41538-MB0-000	SPACER I, RING GEAR (2.30)	1	1	1	1	1	1		

I 13

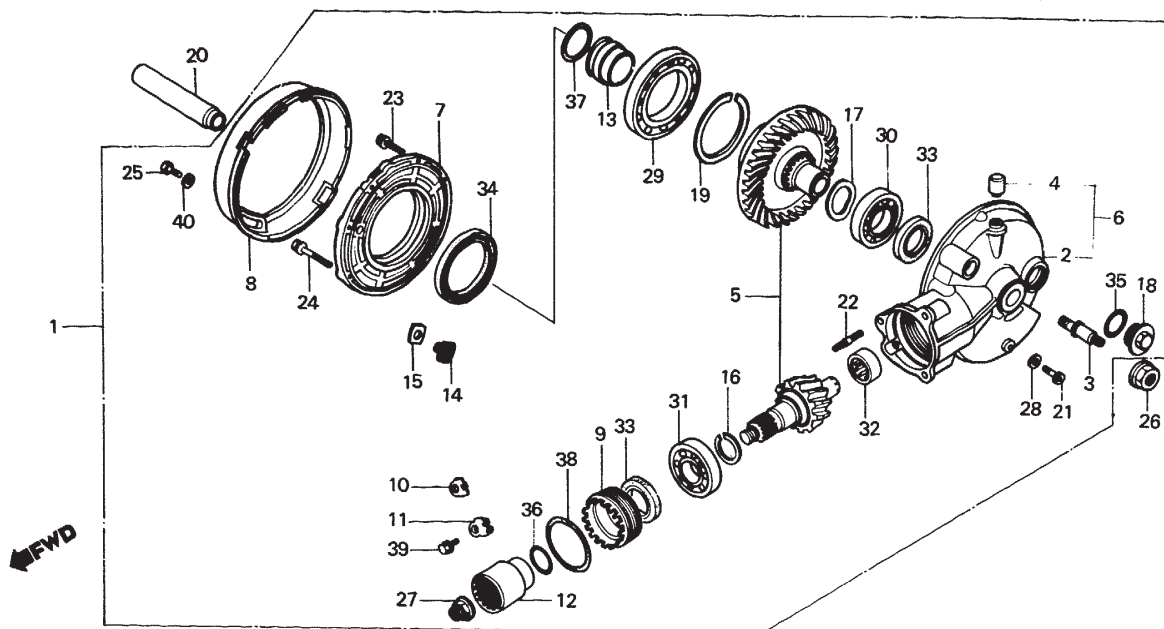
F-14

Final driven gear

Engrenages de réduction finals

Endantriebsgetriebe

Engranaje mandedo final



BME5-34

Service item	F.R.T.	Ref. No.	Part No.	Description	Reqd. No.						Serial No.	Area code
					CBX 600Ed	CBX 650Ed	D	E	F	C865CSC		
		20	42625-MB0-000	COLLAR B, RR. DISTANCE	1	1	1	1	1			
		21	90109-ME5-770	BOLT, SOCKET, 8X11	1	1	1	1	1			
		22	90125-ME5-000	BOLT, STUD, 10X50	3	3	3	3	3			
		23	90133-MB0-000	BOLT, FLANGE, 8X27	6	6	6	6	6			
		24	90134-371-000	BOLT, FLANGE, 10X38	2	2	2	2	2			
		25	30170-MB0-000	BOLT, HEX., 6X16	1	1	1	1	1			
		26	90305-ME5-003	NUT, FLANGE, 16MM	1	1	1	1	1			
		27	90381-MB0-010	NUT, HEX., 16MM	1	1	1	1	1			
		28	90471-580-000	PACKING, 8MM	1	1	1	1	1			
		29	91051-MB0-005	BEARING, RADIAL BALL, 16012C3	1	1	1	1	1			
		30	91052-MB0-003	BEARING, RADIAL BALL, 57/34C3	1	1	1	1	1			
			91052-MB0-005	BEARING, RADIAL BALL, 57/34C3	1	1	1	1	1			
		31	91061-MB0-000	BEARING, RADIAL BALL, 6305	1	1	1	1	1			CM,ED,F,SD,U,1G,2G

I 14

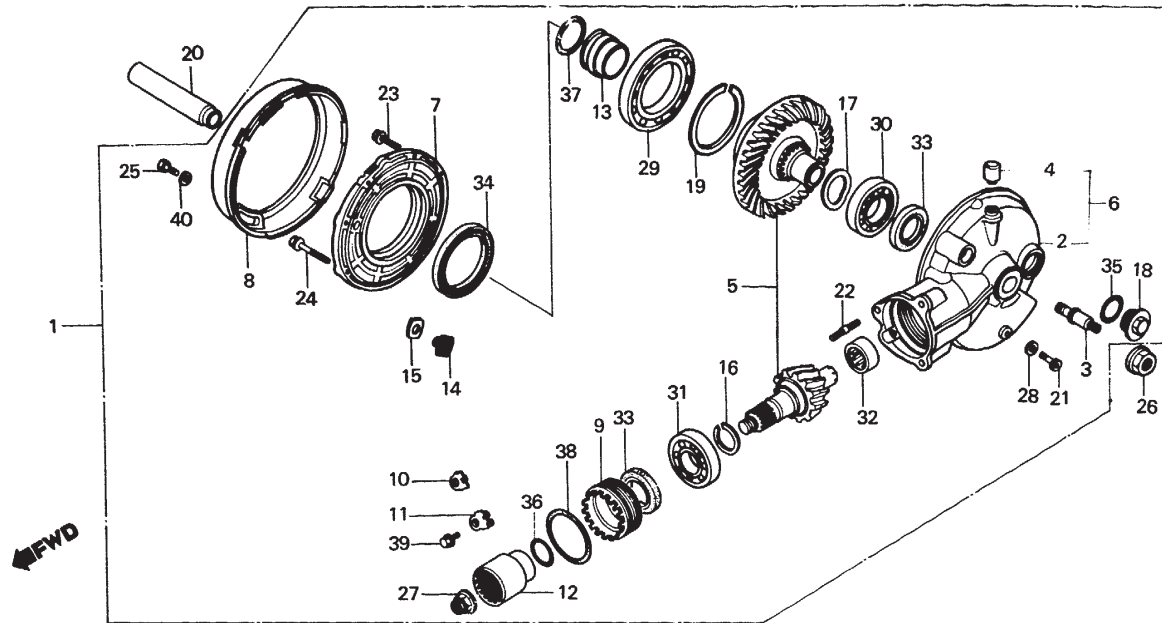
F-14

Final driven gear

Engrenages de réduction finals

Endabtriebsgetriebe

Engranaje mandedo final



BME5-34

Service item	F.R.T.	Ref. No.	Part No.	Description	Reqd. No.						Serial No.	Area code
					CBX 600Ed	CBX 650Ed	D	E	F	CB9650SC		
		32	91061-MB0-005	BEARING, RADIAL BALL, 6305	1	1	1	1	1	1		
			91062-MB0-003	BEARING, NEEDLE, 19/16	1	1	1					
			91062-MB0-005	BEARING, NEEDLE, 19/16	1	1	1					
			91062-MB0-013	BEARING, NEEDLE, 19/16						1	1	
		33	91261-MB0-000	OIL SEAL, 34X50X7	2	2	2	2	2	2		
			91261-MB0-003	OIL SEAL, 34X50X7 (ARAI)	2	2	2	2	2	2		
			91261-MB0-005	OIL SEAL, 34X50X7 (NIPPON)	2	2	2	2	2	2		
		34	91265-MB0-000	OIL SEAL, 60X80X8	1	1	1	1	1	1		
			91265-MB0-003	OIL SEAL, 60X80X8	1	1	1	1	1	1		
		35	91302-001-020	O-RING, 30.8MM	1	1	1	1	1	1		
			91355-MB0-003	O-RING, 22X1.9	1	1	1	1	1	1		
			91355-MB0-005	O-RING, 22X1.9	1	1	1	1	1	1		
		37	91356-MB0-000	O-RING, 35.2X2.4	1	1	1	1	1	1		
			91356-MB0-005	O-RING, 35.2X2.4	1	1	1	1	1	1		

I 15

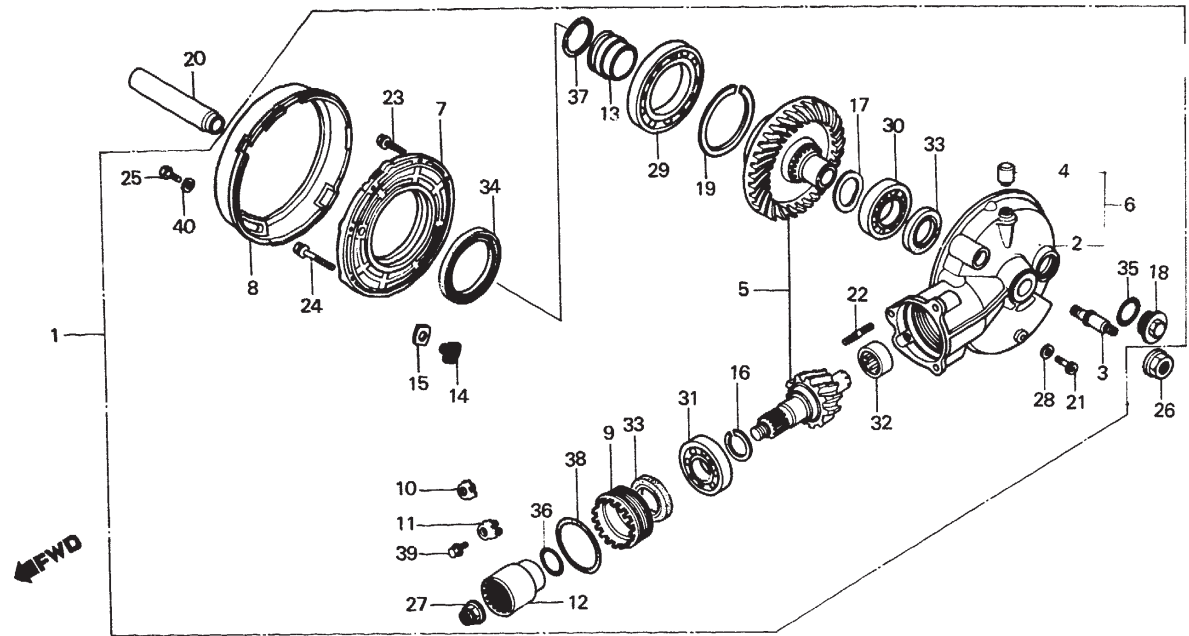
F-14

Final driven gear

Engrenages de réduction finals

Endabtriebsgetriebe

Engranaje mandedo final



BME5-34

Service item	F.R.T.	Ref. No.	Part No.	Description	Reqd. No.						Serial No.	Area code
					CBX 600Ed	CBX 650Ed	D	E	F	CB650SC		
		38	91359-MB0-000	O-RING, 58.5X3.5	1	1	1	1	1			
		39	92000-06012	BOLT, HEX., 6X12	1	1	1	1	1			
		40	94101-06800	WASHER, PLAIN, 6MM	1	1	1	1	1			

I 16

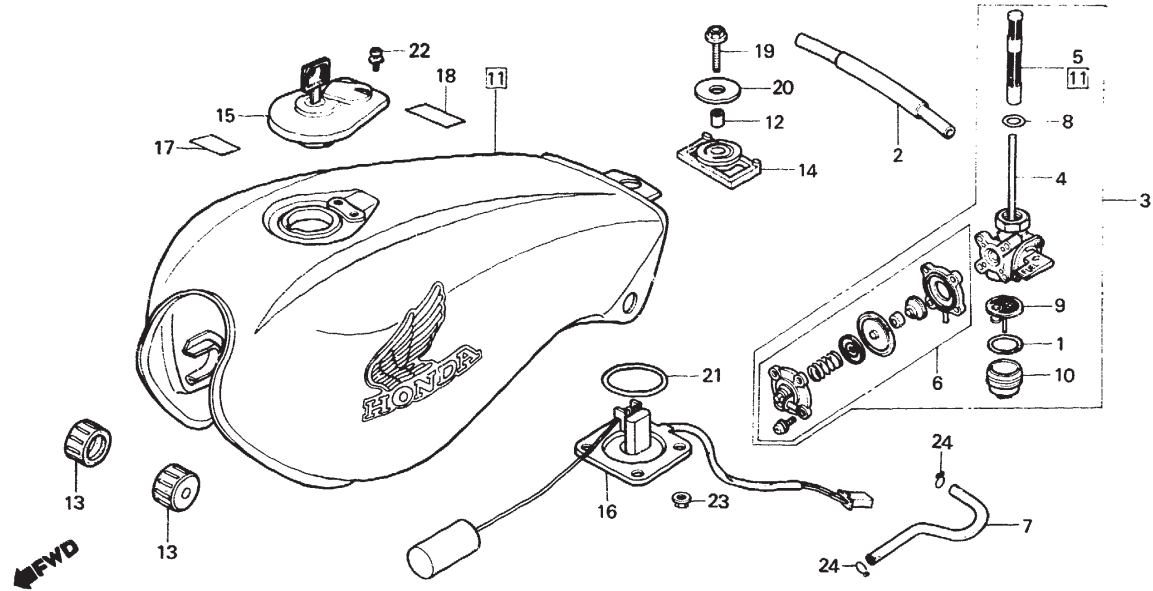
F-15

Fuel tank

Réservoir d'essence

Benzintank

Tanque de combustible



BME5-35

Service item	F.R.T.	Ref. No.	Part No.	Description	Reqd. No.					Serial No.	Area code
					CBX 600E	CBX 650E	D	E	F		
AUTO COCK ASSY., FUEL	0.2	1	16173-001-004	PACKING, FUEL STRAINER CUP	1	1	1	1	1		
BODY COMP., COCK		2	16940-ME5-000	HOSE COMP., FUEL	1	1	1	1	1		
SCREEN SET, FUEL STRAINER		3	16950-ME5-005	AUTO COCK ASSY., FUEL	1	1	1				
COVER SET, COCK			16950-ME5-015	AUTO COCK ASSY., FUEL				1	1		
CUP, FILTER	0.1	4	16951-MF5-005	BODY COMP., COCK	1	1	1				
(INC. RELATIVE PART)			16951-MF5-015	BODY COMP., COCK				1	1		
TANK SET, FUEL	0.4	5	16952-MA6-005	SCREEN SET, FUEL STRAINER	1	1	1	1	1		
METER UNIT, FUEL	0.3										
		6	16953-ME5-005	COVER SET, COCK				1	1		
			16953-449-751	COVER SET, COCK	1	1	1				
		7	16952-ME4-000	TUBE, VACUUM	1						
			16955-ME5-000	TUBE, FUEL COCK		1	1	1	1		
		8	16958-MA1-731	O-RING	1	1	1	1	1		
		9	16959-461-751	CUP, FILTER	1	1	1	1	1		
		10	16967-GA6-671	CUP, FUEL STRAINER	1	1	1	1	1		

J 1

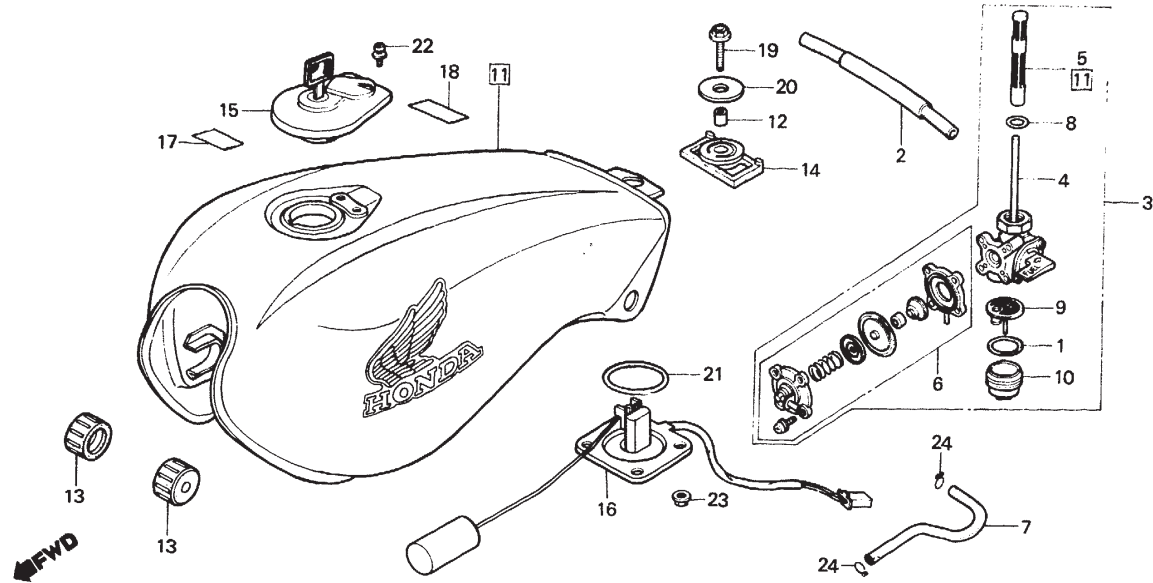
F-15

Fuel tank

Réservoir d'essence

Benzintank

Tanque de combustible



BME5-35

Service item	F.R.T.	Ref. No.	Part No.	Description	Reqd. No.				Serial No.	Area code
					CBX 600Ed	CBX 650Ed	D	CB650SC E F		
		[11]	175A1-ME5-610ZA	TANK SET, FUEL *NH-121P-A*	1	1				
			175A1-ME5-610ZB	TANK SET, FUEL *NH-1-Z*	1	1				
			175A1-ME5-610ZC	TANK SET, FUEL *R-124C-U*	1	1				
			175A1-ME5-000ZA	TANK SET, FUEL *PB-123P-A*			1		DM006364	
			175A1-ME5-000ZB	TANK SET, FUEL *R-114C-U*			1		DM006364	
			175A1-ME5-010ZA	TANK SET, FUEL *PB-123P-A*			1		DM006365	
			175A1-ME5-010ZB	TANK SET, FUEL *R-114C-U*			1		DM006365	
		*	175A1-ME5-770ZA	TANK SET, FUEL *NH-1-Z*			1			
		*	175A1-ME5-770ZB	TANK SET, FUEL *R-107C-U*			1			
			175A1-ME5-780ZA	TANK SET, FUEL *R-130C-U*				1		CM

J 2

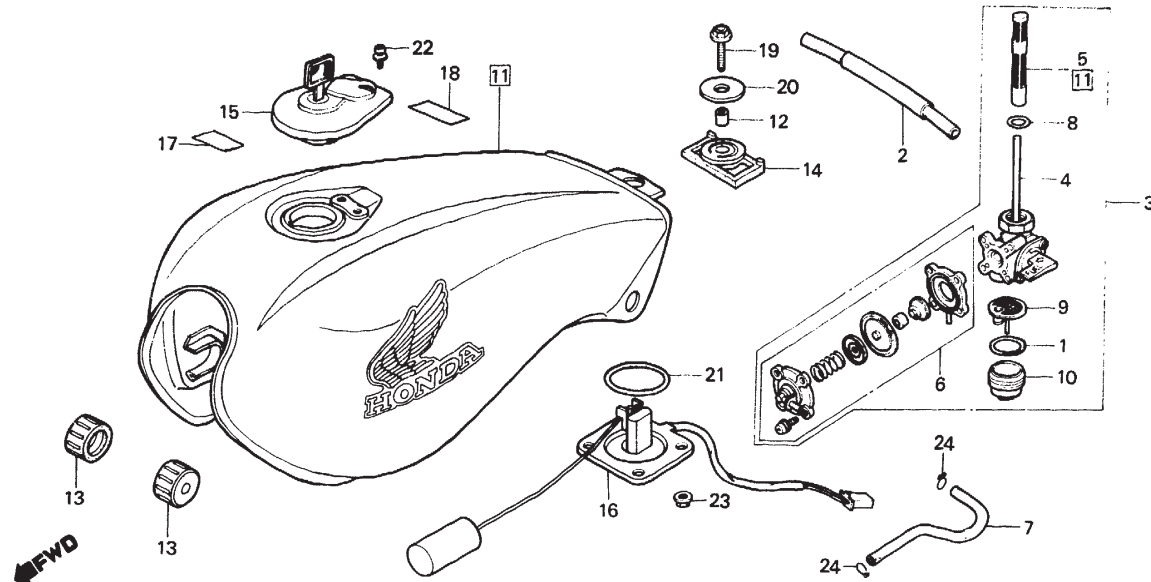
F-15

Fuel tank

Réservoir d'essence

Benzintank

Tanque de combustible



BME5-35

Service item	F.R.T.	Ref. No.	Part No.	Description	Reqd. No.					Serial No.	Area code
					CBX 600Ed	CBX 650Ed	D	CB650SC E	F		
		*	175A1-ME5-780ZB	TANK SET, FUEL *PB-117C-U*					1		
		*	175A1-ME5-780ZC	TANK SET, FUEL *R-101C-U*					1		IT
		12	17514-ME5-000	COLLAR, FUEL TANK RR. MOUNTING	1	1	1	1	1		
		13	17611-286-000	CUSHION, FUEL TANK FR.	2	2	2	2	2		
		14	17613-ME5-000	CUSHION, FUEL TANK RR.	1	1	1	1	1		
		15	17620-MB1-003	CAP COMP., FUEL FILLER	1	1					
			17620-MB1-013	CAP COMP., FUEL FILLER			1				
			17620-MB1-023	CAP COMP., FUEL FILLER				1	1		
		16	37800-ME5-003	METER UNIT, FUEL				1	1	1	
			37800-ME5-611	METER UNIT, FUEL	1	1					
		*17	87517-MB0-770ZC	LABEL, FR. FORK CAUTION *A-03*				1	1		

J 3

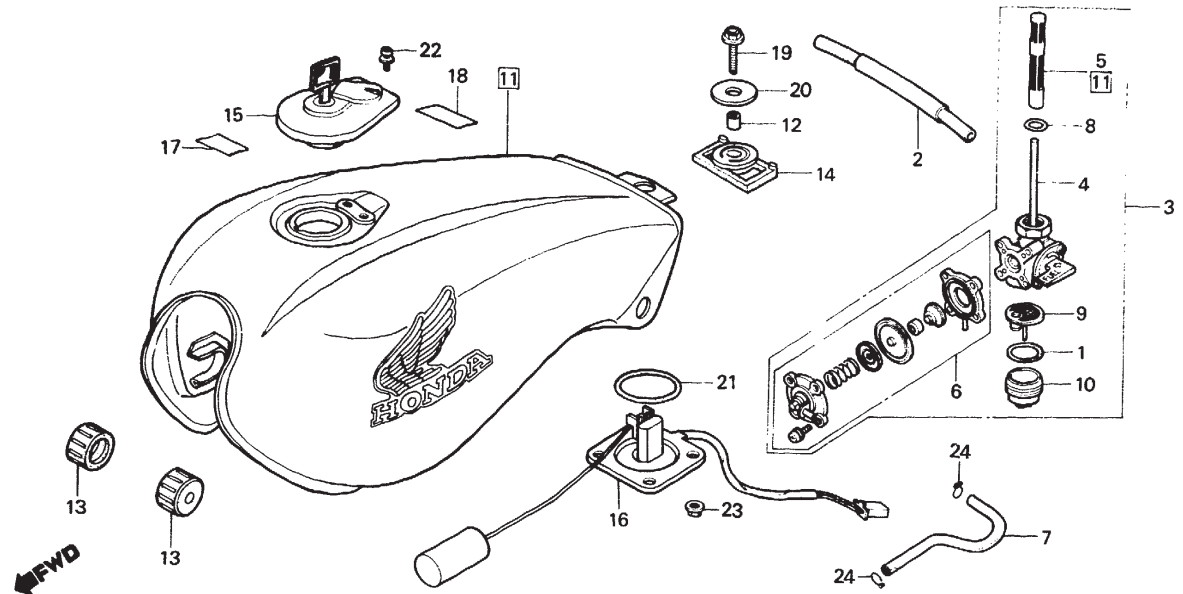
F-15

Fuel tank

Réservoir d'essence

Benzintank

Tanque de combustible



BME5-35

Service item	F.R.T.	Ref. No.	Part No.	Description	Reqd. No.						Serial No.	Area code
					CBX 600Ed	CBX 650Ed	CB650SC D	E	F			
		*18	87560-MB0-670ZA	MARK, DRIVE CAUTION *A-03*			1	1	1			
			87560-181-760	MARK, DRIVE CAUTION (TYPE B)	1	1						ED,SD,U,1G,2G
			87560-463-830	MARK, DRIVE CAUTION (FRENCH)		1						F
		19	90116-125-782	BOLT, SOCKET, 8MM	1	1						
		*20	95700-08025-00	BOLT, FLANGE, 8X25			1	1	1			
			90502-461-000	WASHER, 8.3X38	1	1	1	1	1			
		21	91305-MC7-000	O-RING, 39.5X5	1	1	1	1	1			
		22	93892-04008-00	SCREW-WASHER, 4X8	2	2						
			93892-04008-08	SCREW-WASHER, 4X8			2				DM000109	
			45319-634-003	SCREW-WASHER, 4X6			2				DM000110	
							2				EM109202	
									2		EM109203	
		23	94050-06000-00	NUT, FLANGE, 6MM	4	4	4	4	4			
		24	95002-02120	CLIP B12, TUBE	2	2	2	2	2			

J 4

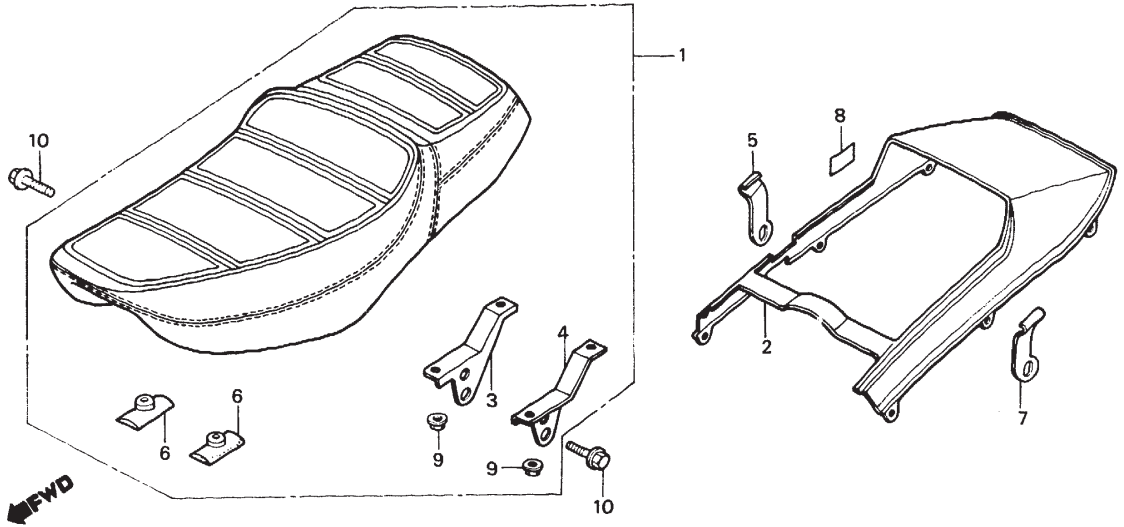
F-16

Seat • Seat cowl

Siege • Auvent de siège

Sitz • Sitzhaubenverkleidung

Asiento • Cubretablero de asiento



BME5-36

Service item	F.R.T.	Ref. No.	Part No.	Description	Reqd. No.						Serial No.	Area code
					CBX 600Ed	CBX 650Ed	D	C8650SC E	F	F		
SEAT COMP., DOUBLE (INC. RELATIVE PART) COWL, RR.	0.1	1	77100-ME5-610	SEAT COMP., DOUBLE	1	1						
	0.5		77100-ME5-670	SEAT COMP., DOUBLE				1	1			
				77100-ME5-671	SEAT COMP., DOUBLE					1		
		2	77200-ME5-000ZA	COWL, RR. *PB-123P-A*				1				
			77200-ME5-000ZB	COWL, RR. *R-114C-U*				1				
			77200-ME5-000ZC	COWL, RR. *NH-121P-A*	1	1						
			77200-ME5-000ZD	COWL, RR. *R-124C-U*	1	1						
			77200-ME5-000ZE	COWL, RR. *NH-1-Z*	1	1			1			
			77200-ME5-000ZH	COWL, RR. *R-107C-U*					1			
			77200-ME5-000ZJ	COWL, RR. *R-130C-U*						1	CM	
			77200-ME5-000ZK	COWL, RR. *PB-117C-U*						1		
			* 77200-ME5-000ZL	COWL, RR. *R-101C-U*						1	IT	
			3	77203-ME5-000	STAY, R. SEAT SETTING	1	1	1	1	1		
			4	77204-ME5-000	STAY, L. SEAT SETTING	1	1	1	1	1		
		5	77205-ME5-000	PLATE, R. COWL SETTING	1	1	1	1	1			
		6	77205-429-000	CUSHION B, SEAT	2	2	2	2	2			

J 5

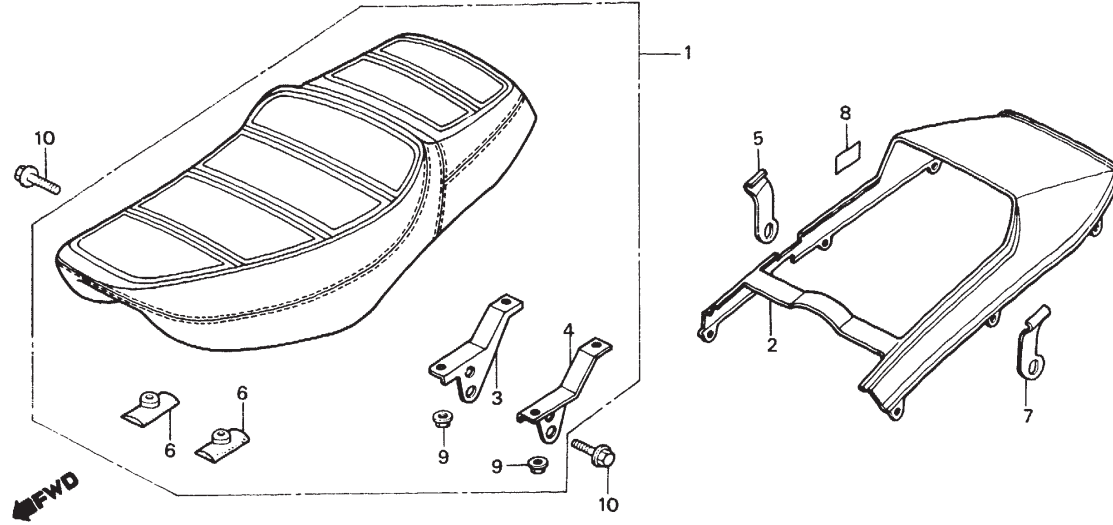
F-16

Seat • Seat cowl

Siege • Auvent de siège

Sitz • Sitzhaubenverkleidung

Asiento • Cubretablero de asiento



BME5-36

Service item	F.R.T.	Ref. No.	Part No.	Description	Reqd. No.						Serial No.	Area code
					CBX 600Ed	CBX 650Ed	D	E	F	C9850SC		
		7	77206-ME5-000	PLATE, L. COWL SETTING	1	1	1	1	1			
		8	87511-323-670	LABEL, HELMET HOLDER	1	1	1	1	1		CM,ED,IT,SD,U,1G,2G	
			87511-415-620	LABEL, HELMET HOLDER (FRENCH)		1	1	1	1		CM,F	
		9	94050-06080	NUT, FLANGE, 6MM	4	4	4	4	4			
		10	95700-08016-00	BOLT, FLANGE, 8X16	2	2	2	2	2			

J 6

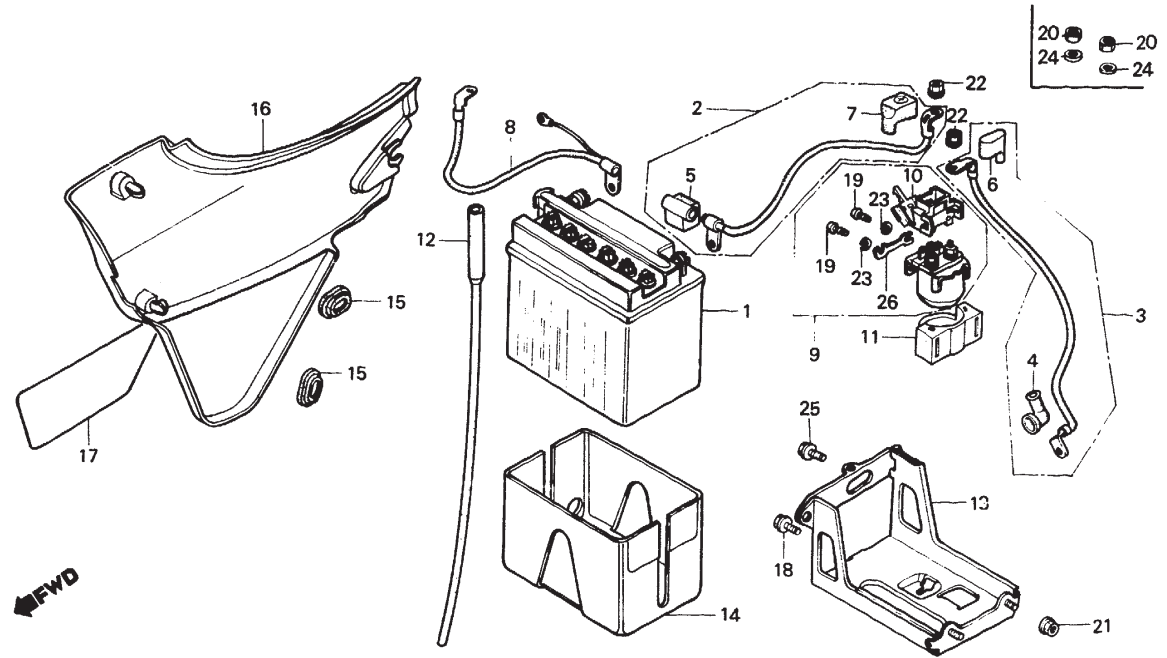
F-17

Right side cover • Battery

Couvercle latéral droit • Batterie

Rechter Seitendeckel • Batterie

Cubierta lateral derecha • Bateria



BME5-37

Service item	F.R.T.	Ref. No.	Part No.	Description	No.				Serial No.	Area code
					CBX 600ED	CBX 650ED	D	E		
BATTERY	0.2	1	31500-ME5-601	BATTERY (YB12AL-A)	1	1	1	1	1	
• CABLE, STARTER BATTERY		2	32401-ME5-000	CABLE, STARTER BATTERY	1	1	1	1	1	
• CABLE, STARTER MOTOR		3	32410-ME5-000	CABLE, STARTER MOTOR	1	1	1	1	1	
• CABLE, BATTERY EARTH		4	32411-253-000	COVER, STARTING MOTOR TERMINAL	1	1	1	1	1	
• SWITCH ASSY., STARTER MAGNETIC		5	32412-ME5-000	COVER, BATTERY TERMINAL	1	1	1	1	1	
• BOX ASSY., BATTERY		6	32412-426-000	COVER, MAGNETIC SWITCH	1	1	1	1	1	
		7	32415-425-000	COVER A, MAGNETIC SWITCH	1	1	1	1	1	
		8	32601-ME5-000	CABLE, BATTERY EARTH	1	1	1			
			32601-ME5-010	CABLE, BATTERY EARTH	1					
		9	35850-MB0-007	SWITCH ASSY., STARTER MAGNETIC	1	1	1	1	1	
		10	35852-MB0-007	COVER, FUSE	1	1	1	1	1	
		11	35856-MB0-007	RUBBER, SHOCK	1	1	1	1	1	
		12	50325-ME5-000	TUBE, BATTERY	1	1	1	1	1	
									2001643	CM,SD,2G ED,F,U,1G ED,F,U,1G

J 7

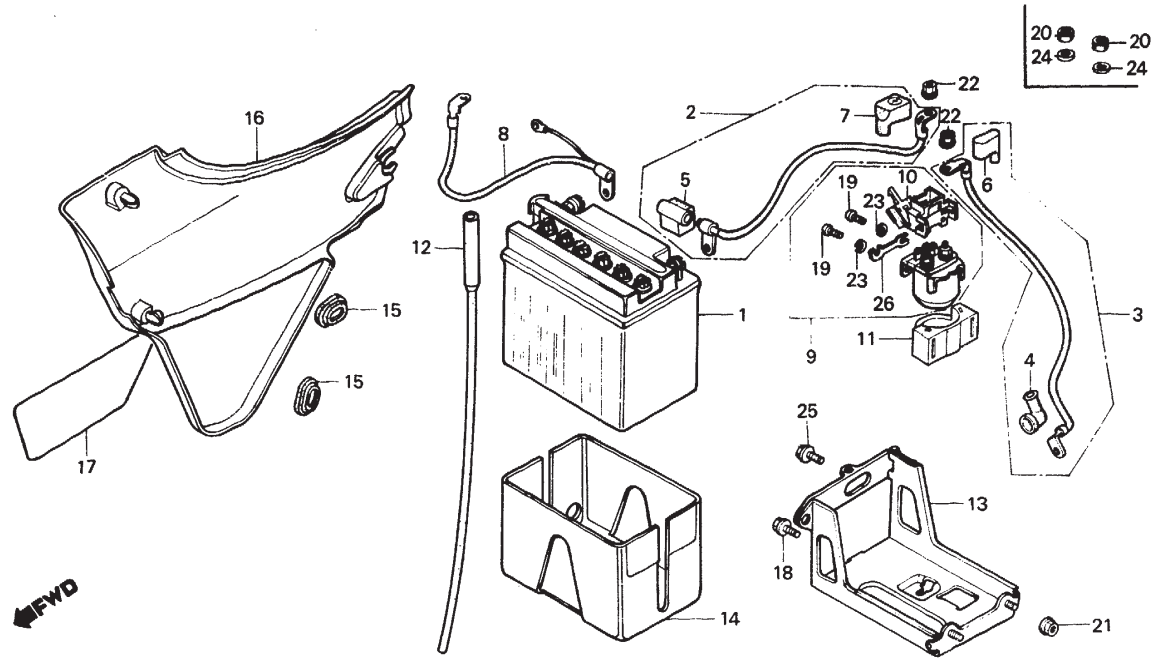
F-17

Right side cover • Battery

Couvercle latéral droit • Batterie

Rechter Seitendeckel • Batterie

Cubierta lateral derecha • Bateria



BME5-37

Service item	F.R.T.	Ref. No.	Part No.	Description	Reqd. No.						Serial No.	Area code
					CBX 600Ed	CBX 650Ed	D	E	F	CB650SC		
		13	50328-ME5-000	BOX ASSY., BATTERY	1	1	1				2001642	CM,SD,2G ED,F,U,1G
			50328-ME5-010	BOX ASSY., BATTERY		1					2001643	ED,F,U,1G
		14	50329-ME5-000	CUSHION, BATTERY	1	1	1	1	1			
		15	83551-300-000	GROMMET, AIR CLEANER CASE	2	2	2	2	2			
		16	836A0-ME5-780ZA	COVER SET, R. SIDE *R-130C-U*						1		CM
			836A0-ME5-780ZB	COVER SET, R. SIDE *PB-117C-U*						1		
			836A0-ME5-780ZC	COVER SET, R. SIDE *R-101C-U*						1		IT
			836A1-ME4-640ZA	COVER COMP., R. SIDE (CBX600E) *NH-121P-A*	1							
			836A1-ME4-640ZB	COVER COMP., R. SIDE (CBX600E) *R-124C-U*	1							
			836A1-ME4-640ZC	COVER COMP., R. SIDE (CBX600E) *NH-1-Z*	1							

J 8

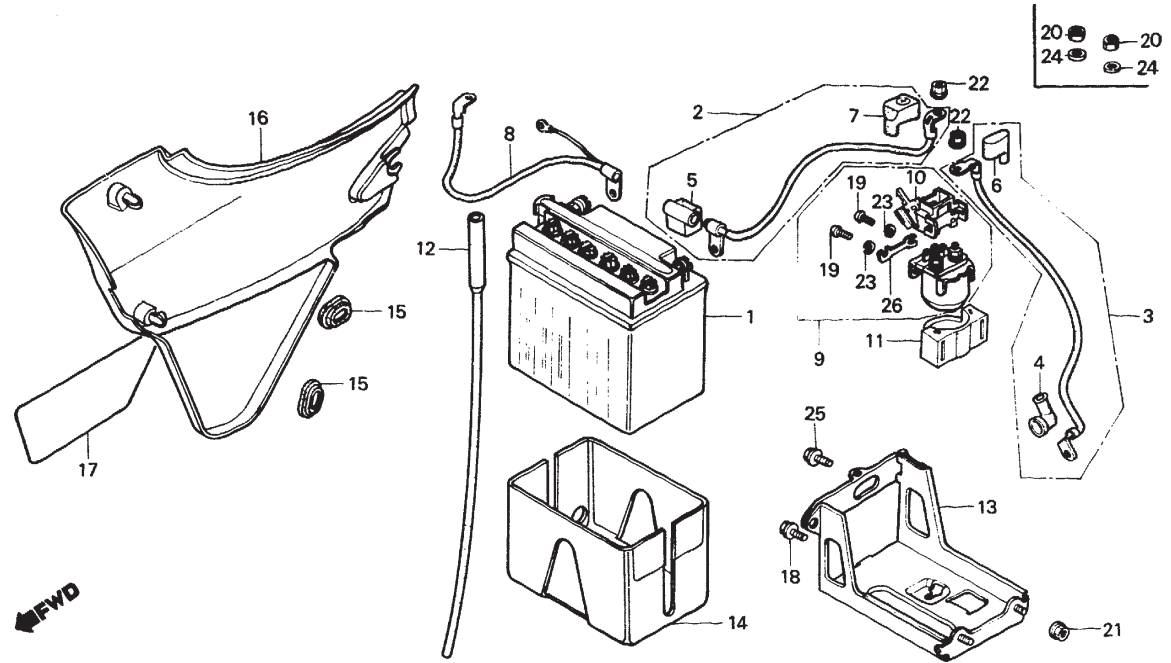
F-17

Right side cover • Battery

Couvercle latéral droit • Batterie

Rechter Seitendeckel • Batterie

Cubierta lateral derecha • Bateria



BME5-37

Service item	F.R.T.	Ref. No.	Part No.	Description	Reqd. No.					Serial No.	Area code
					CBX 600Ed	CBX 650Ed	CB650SC D	E	F		
			836A1-ME5-000ZA	COVER COMP., R. SIDE			1				
				PB-123P-A							
			836A1-ME5-000ZB	COVER COMP., R. SIDE			1				
				R-114C-U							
			836A1-ME5-610ZA	COVER COMP., R. SIDE			1				
				NH-121P-A							
			836A1-ME5-610ZB	COVER COMP., R. SIDE			1				
				NH-1-Z							
			836A1-ME5-610ZC	COVER COMP., R. SIDE			1				
				R-124C-U							
		*	836A1-ME5-770ZA	COVER COMP., R. SIDE					1		
		*	836A1-ME5-770ZB	COVER COMP., R. SIDE					1		
				R-107C-U							
17			87512-ME5-610	MARK, ACCESSORIES LOADING			1				1G,2G
				CAUTION							
			87512-ME5-620	MARK, ACCESSORIES LOADING			1	1	1	1	CM,F
				CAUTION							
			87512-ME5-670	MARK, ACCESSORIES LOADING			1	1	1	1	CM,ED,IT,SD,U
				CAUTION							
18			92300-06012-0A	BOLT, SLOTTED, 6X12			1	1	1		

J 9

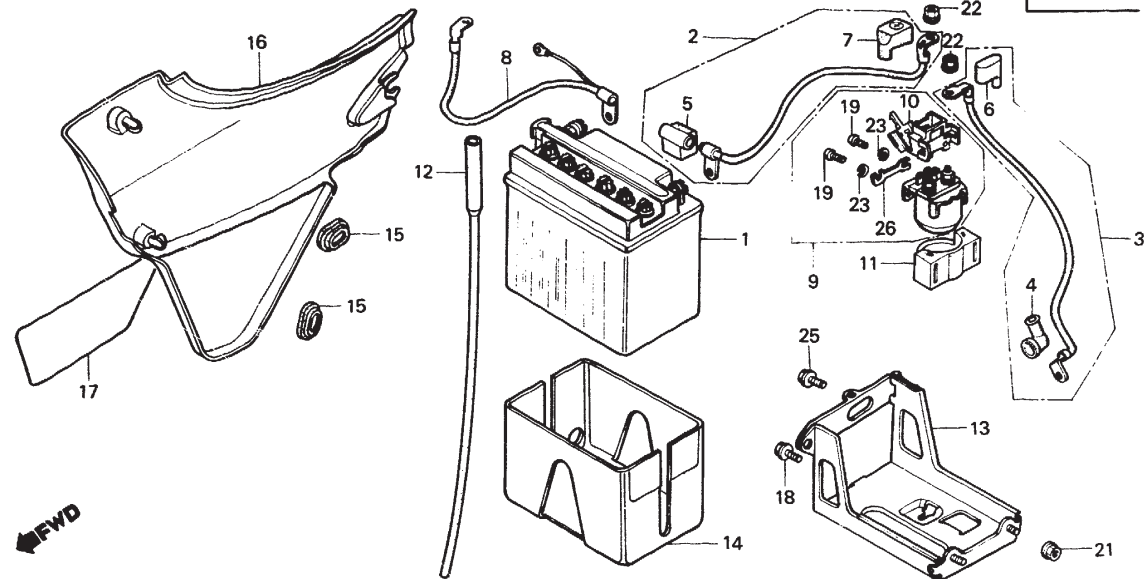
F-17

Right side cover • Battery

Couvercle latéral droit • Batterie

Rechter Seitendeckel • Batterie

Cubierta lateral derecha • Bateria



BME5-37

Service item	F.R.T.	Ref. No.	Part No.	Description	Reqd. No.					Serial No.	Area code
					CBX 600Ed	CBX 650Ed	D	C3650SC E	F		
			92300-06014-0A	BOLT, SLOTTED, 6X14				1	1		
		19	93500-04006-0H	SCREW, PAN, 4X6	2	2	2	2	2		
		20	94002-06000-0S	NUT, HEX., 6MM	2	2	2	2			
		21	94050-06000	NUT, FLANGE, 6MM	2	2	2	2	2		
		22	94050-06080	NUT, FLANGE, 6MM					2		
		23	94111-04800	WASHER, SPRING, 4MM	2	2	2	2	2		
		24	94111-06800	WASHER, SPRING, 6MM	2	2	2	2	2		
		25	95700-06010-07	BOLT, FLANGE, 6X10	2	2	2	2	2		
		26	98200-53000	FUSE F (30A)	2	2	2	2	2		

J 10

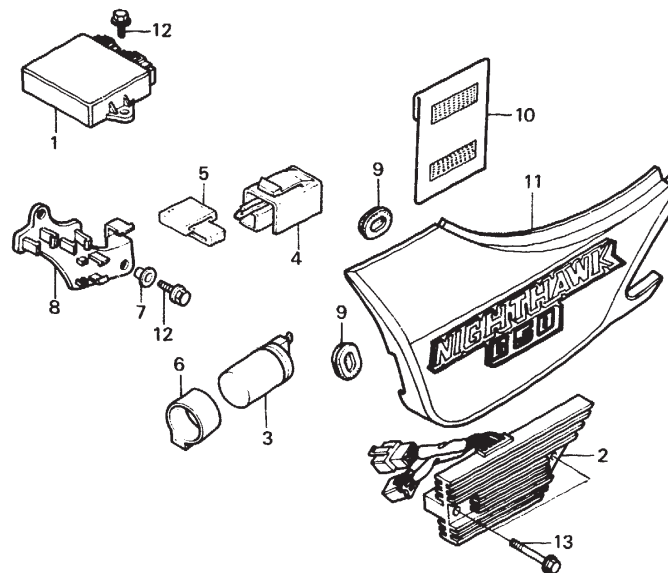
F-18

Left side cover • Rectifier

Couvercle latéral gauche • Rectificateur

Linker Seitendeckel • Gleichrichter

Cubierta lateral izquierda • Rectificador



BME5-38D

Service item	F.R.T.	Ref. No.	Part No.	Description	Reqd. No.						Serial No.	Area code	
					CBX 600Ed	CBX 650Ed	D	E	F	CB650SC			
SPARK UNIT • RECTIFIER ASSY., REGULATE RELAY COMP., WINKER • PLATE, ELECTRIC BASE	0.3	1	30400-ME5-004	SPARK UNIT (ND)	1	1							
	0.1		30400-ME5-005	SPARK UNIT (HITACHI)	1	1						DM012438	
				30400-ME5-014	SPARK UNIT (ND)			1					DM012438
				30400-ME5-015	SPARK UNIT (HITACHI)			1	1	1		DM012439	
			2	31600-ME5-003	RECTIFIER ASSY., REGULATE	1	1	1	1	1			
			3	38301-MB0-004	RELAY COMP., WINKER (MITSUBA)	1	1	1					
										1			IT
			4	38301-MF8-771	RELAY COMP., WINKER (TATEISHI)					1	1		CM
				38301-MF8-773	RELAY COMP., WINKER (MITSUBA)					1	1		CM
			5	38306-KJ6-740	SUSPENSION, WINKER RELAY					1	1		CM
		6	38306-292-000	SUSPENSION, WINKER RELAY	1	1	1			1		IT	

J 11

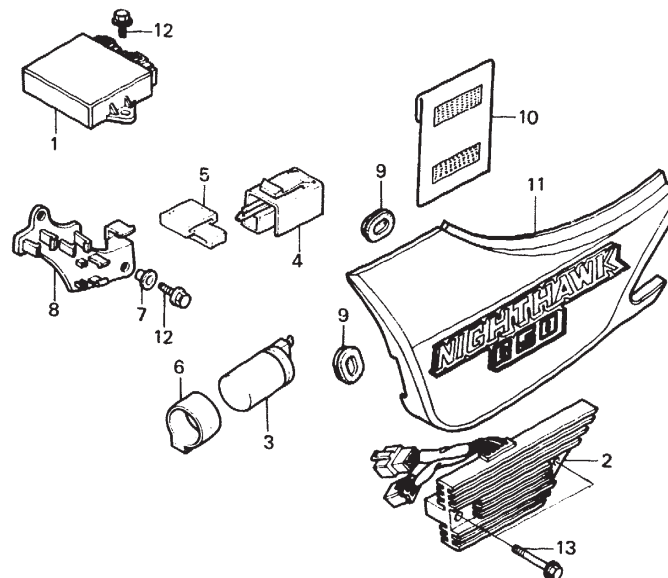
F-18

Left side cover • Rectifier

Couvercle latéral gauche • Rectificateur

Linker Seitendeckel • Gleichrichter

Cubierta lateral izquierda • Rectificador



BME5-38D

Service item	F.R.T.	Ref. No.	Part No.	Description	Reqd. No.						Serial No.	Area code
					CBX 600Ed	CBX 650Ed	D	E	F	CB650SC		
		7	40514-147-000	COLLAR, CHAIN CASE	1	1	1	1	1			
		8	50330-ME5-000	PLATE, ELECTRIC BASE	1	1	1	1	1			
		9	83551-300-000	GROMMET, AIR CLEANER CASE	2	2	2	2	2			
		10	83642-355-000	BAG, OWNERS MANUAL	1	1	1	1	1			
		11	837A1-ME5-610ZA	COVER COMP., L. SIDE	1	1						
				NH-121P-A								
			837A1-ME5-610ZB	COVER COMP., L. SIDE	1	1						
				NH-1-Z								
			837A1-ME5-610ZC	COVER COMP., L. SIDE	1	1						
				R-124C-U						1		
			837A1-ME5-000ZA	COVER COMP., L. SIDE						1		
				PB-123P-A						1		
			837A1-ME5-000ZB	COVER COMP., L. SIDE						1		
				R-114C-U						1		
		*	837A1-ME5-770ZA	COVER COMP., L. SIDE *NH-1-Z*						1		
		*	837A1-ME5-770ZB	COVER COMP., L. SIDE						1		
				R-107C-U						1		

J 12

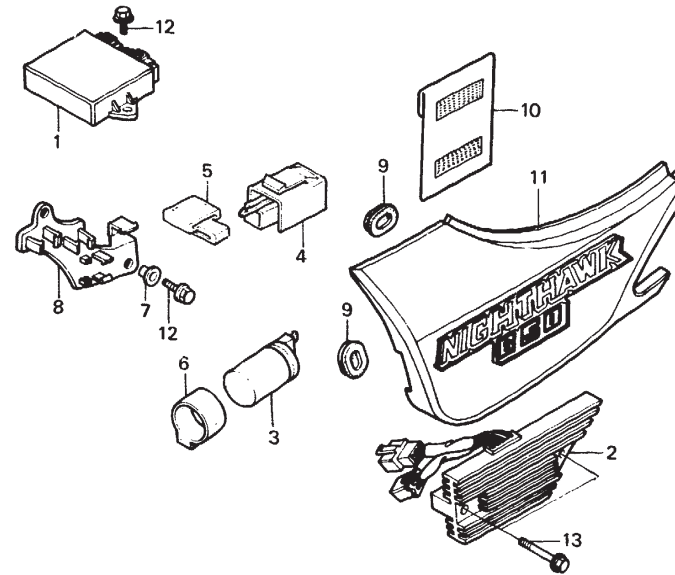
F-18

Left side cover • Rectifier

Couvercle latéral gauche • Rectificateur

Linker Seitendeckel • Gleichrichter

Cubierta lateral izquierda • Rectificador



BME5-38D

Service item	F.R.T.	Ref. No.	Part No.	Description	Reqd. No.						Serial No.	Area code
					CBX 600Ed	CBX 650Ed	D	E	F	CB650SC		
			837A0-ME5-780ZA	COVER SET, L. SIDE *R-130C-U*						1		CM
			837A0-ME5-780ZB	COVER SET, L. SIDE *PB-117C-U*						1		
		*	837A0-ME5-780ZC	COVER SET, L. SIDE *R-101C-U*						1		IT
		12	95700-06012-00	BOLT, FLANGE, 6X12	4	4	4	4	4			
		13	95700-06040-00	BOLT, FLANGE, 6X40	2	2						
			95700-06045-07	BOLT, FLANGE, 6X45			2					
							2					DM014191
							2					DM014192

J 13

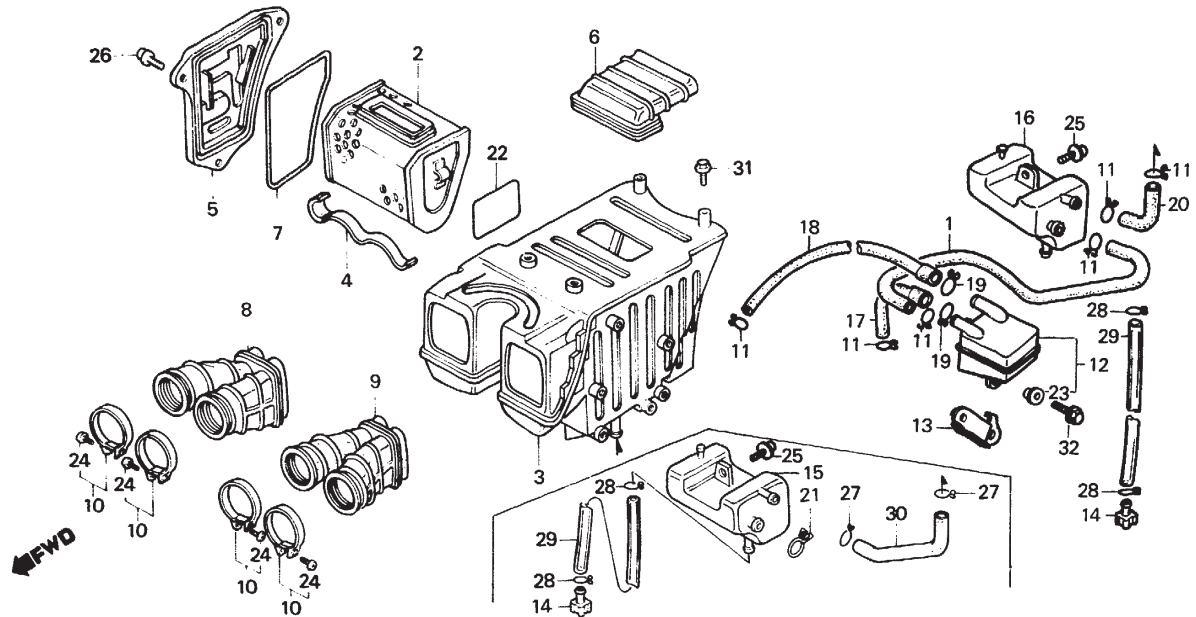
F-19

Air cleaner

Filtre à air

Luftfilter

Limpiador de aire



BME5-113

Service item	F.R.T.	Ref. No.	Part No.	Description	Reqd. No.						Serial No.	Area code
					CBX 600Ed	CBX 650Ed	D	E	F	CB650SC		
ELEMENT, AIR CLEANER	0.1	* 1	15761-ME5-010	TUBE, BREATHER					1			IT
CASE, AIR CLEANER	1.3	2	17211-ME5-000	ELEMENT, AIR CLEANER	1	1	1					IT
DUCT, AIR CLEANER	0.2								1			CM
TANK COMP., BREATHER			17211-ME5-670	ELEMENT, AIR CLEANER					1	1		
TUBE, R. AIR CLEANER	0.5	3	17215-ME5-000	CASE, AIR CLEANER	1	1	1	1	1			
CONNECTING		4	17216-ME5-000	SPRING, AIR CLEANER ELEMENT	1	1	1	1	1			
		5	17217-ME5-000	COVER, AIR CLEANER CASE	1	1	1	1	1			
(ADD 0.2 FOR EACH.)	0.3	6	17218-ME5-000	DUCT, AIR CLEANER	1	1	1	1	1			
TANK, STORAGE		7	17219-ME5-000	SEAL, AIR CLEANER COVER	1	1	1	1	1			
		8	17253-ME4-300	TUBE, R. AIR CLEANER					1			
			17253-ME5-300	TUBE, R. AIR CLEANER			1	1				
			17253-ME5-310	TUBE, R. AIR CLEANER					1	1		
		9	17254-ME4-300	TUBE, L. AIR CLEANER					1			
				CONNECTING								
				CONNECTING								
				CONNECTING								
				CONNECTING								

J 14

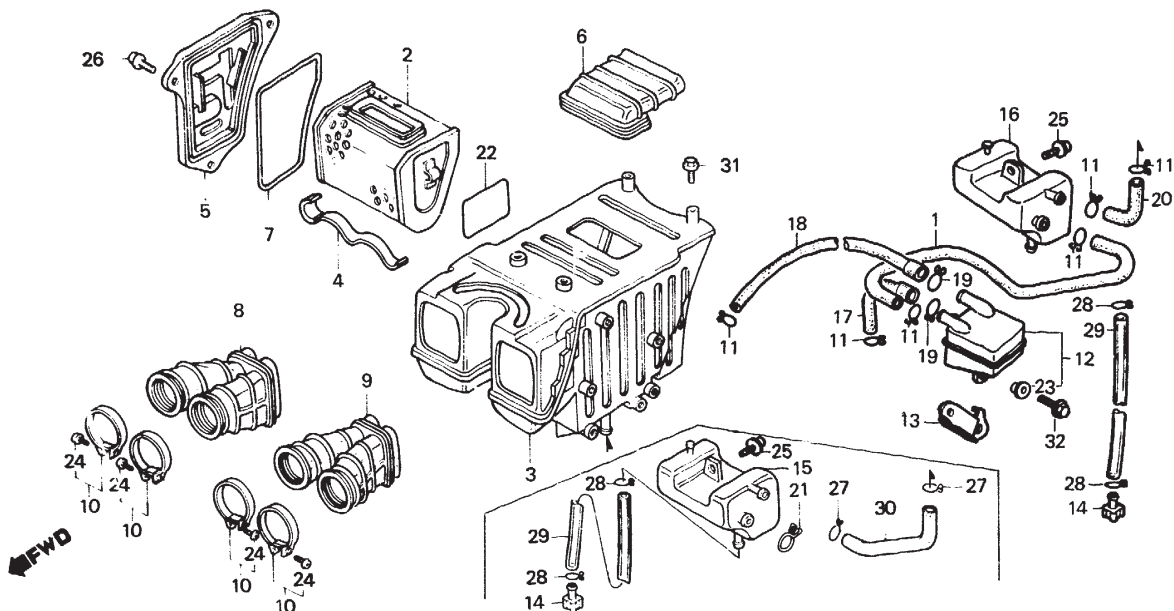
F-19

Air cleaner

Filtre à air

Luftfilter

Limpiador de aire



BME5-113

Service item	F.R.T.	Ref. No.	Part No.	Description	Reqd. No.						Serial No.	Area code
					CBX 600ED	CBX F50ED	D	CB650SC	E	F		
			17254-ME5-300	TUBE, L. AIR CLEANER				1	1			
			17254-ME5-310	TUBE, L. AIR CLEANER						1	1	
		10	17255-ME4-000	BAND, AIR CLEANER CONNECTING				4				
			17256-425-010	BAND ASSY., AIR CLEANER				4	4	4	4	
		*11	17316-611-000	CLIP, BREATHER TUBE							6	IT
		*12	17350-ME5-000	TANK COMP., BREATHER							1	IT
		*13	17351-ME5-000	STAY, BREATHER TANK							1	IT
		14	17370-419-700	PLUG, BREATHER TUBE	1	1	1	1	1	1		
		15	17551-ME5-000	TANK, STORAGE	1	1	1	1	1	1		CM,ED,F,SD,U,1G,2G
		*16	17551-ME5-010	TANK, STORAGE							1	IT
		*17	17552-ME5-000	TUBE B, BREATHER							1	IT
		*18	17553-ME5-000	TUBE C, BREATHER							1	IT
		*19	17554-MB0-000	CLIP, BREATHER TUBE							2	IT

J 15

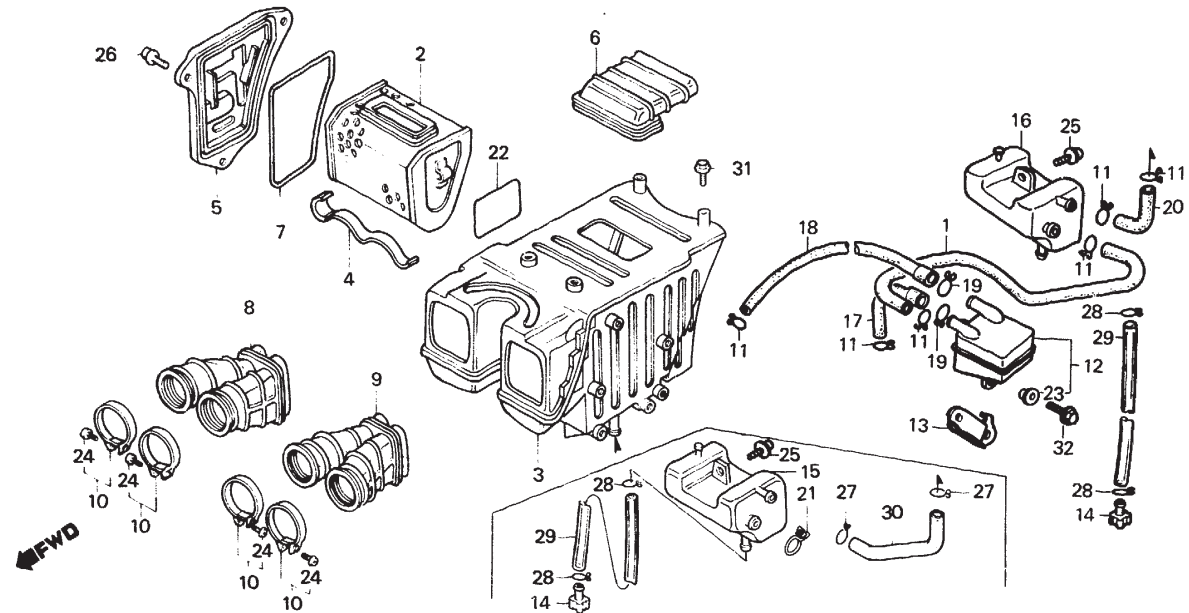
F-19

Air cleaner

Filtre à air

Luftfilter

Limpiador de aire



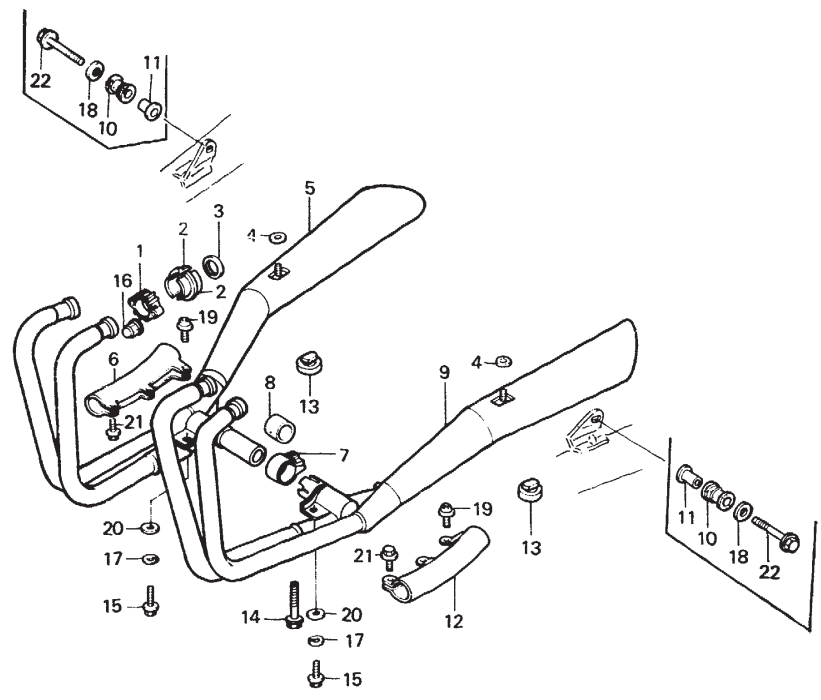
BME5-113

Service item	F.R.T.	Ref. No.	Part No.	Description	Reqd. No.				Serial No.	Area code
					CBX 600Ed	CBX 650Ed	CB650SC D	CB650SC E		
		*20	17554-ME5-000	TUBE D, BREATHER					1	IT
		21	18534-634-670	CLIP, AIR HOSE, 16	1	1	1	1	1	
		22	87506-ME5-620	MARK, BATTERY CAUTION	1	1	1	1	1	CM,F
			87506-ME5-670	MARK, BATTERY CAUTION	1	1	1	1	1	CM,ED,IT,SD,U,1G,2G
		*23	90522-MF5-000	WASHER, FR. COVER					1	IT
		24	93500-05025-0G	SCREW, PAN, 5X25	4	4	4	4	4	
		25	93891-06014-00	SCREW-WASHER, 6X14	1	1	1	1	1	
		26	93893-05012-07	SCREW-WASHER, 5X12	3	3	3	3	3	
		27	95002-02120	CLIP B12, TUBE	2	2	2	2	2	CM,ED,F,SD,U,1G,2G
		28	95002-80000	CLIP C12, TUBE	2	2	2	2	2	
		29	95003-23025-31	TUBE, VINYL, 8X12X250	1	1	1	1	1	
		30	95005-80100-20	TUBE, 8X100	1	1	1	1	1	CM,ED,F,SD,U,1G,2G
		31	95700-06010-00	BOLT, FLANGE, 6X10	2	2	2	2	2	
		*32	95700-06012-00	BOLT, FLANGE, 6X12					1	IT

J 16

F-20

Exhaust muffler
 Pot d'échappement
 Auspufftopf
 Silenciador



BME5-114

Service item	F.R.T.	Ref. No.	Part No.	Description	Reqd. No.						Serial No.	Area code	
					CBX 600Ed	CBX 650Ed	D	E	F	CB690SC			
MUFFLER COMP., EX. (ADD 0.2 FOR EACH.)	0.4	1	18231-ME5-000	JOINT, EX. PIPE	4	4	4	4	4				
		2	18233-460-000	COLLAR, EX. PIPE JOINT	8	8	8	8	8				
		3	18291-236-000	GASKET, EX. PIPE	4	4	4	4	4				
		4	18292-ME5-000	PACKING, MUFFLER				2	2	2			
		5	18300-ME4-640	MUFFLER COMP., R. EX.	1								
			18300-ME5-610	MUFFLER COMP., R. EX.		1							
			18300-ME5-671	MUFFLER COMP., R. EX.				1				DM016289	
			18300-ME5-672	MUFFLER COMP., R. EX.				1				DM016290	
		*	18300-ME5-711	MUFFLER COMP., R. EX.					1				CM IT
		6	18375-ME5-003	PROTECTOR, R. JOINT				1	1	1			
	18375-ME5-610	PROTECTOR, R. JOINT	1	1									
	7	18375-413-000	BAND, R. RR. MUFFLER	1	1	1	1	1	1				
	8	18392-413-000	PACKING, RR. MUFFLER	1	1	1	1	1	1				

K 1

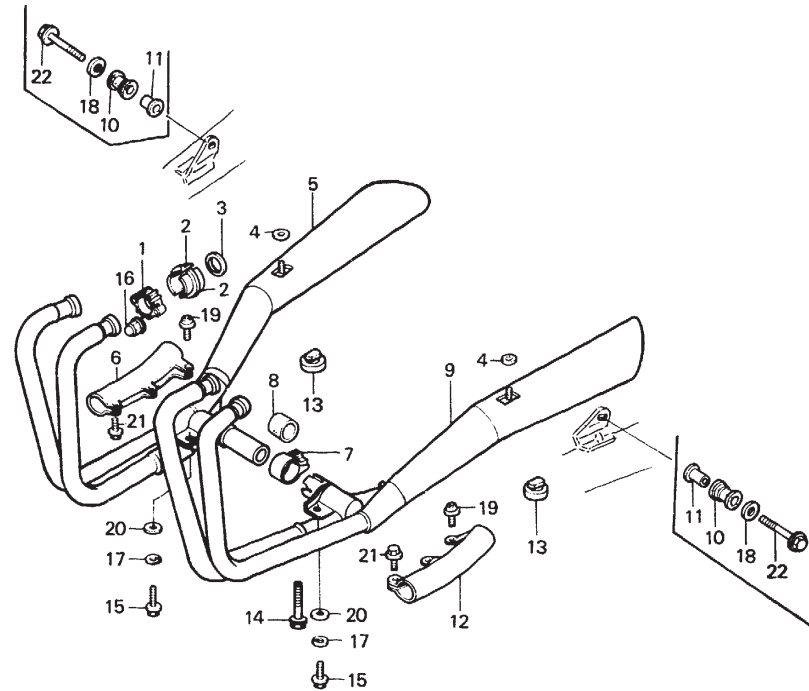
F-20

Exhaust muffler

Pot d'échappement

Auspufftopf

Silenciador



BME5-114

Service item	F.R.T.	Ref. No.	Part No.	Description	Reqd. No.						Serial No.	Area code
					CBX 600Ed	CBX 650Ed	D	E	F	CB8650SC		
		9	18400-ME4-640	MUFFLER COMP., L. EX.	1							
			18400-ME5-610	MUFFLER COMP., L. EX.		1					DM016289	
			18400-ME5-671	MUFFLER COMP., L. EX.				1				IT
		*	18400-ME5-711	MUFFLER COMP., L. EX.					1		DM016290	
			18400-ME5-672	MUFFLER COMP., L. EX.				1	1			CM
		10	18421-MA6-000	RUBBER, MUFFLER MOUNTING	2	2						
		11	18422-MA6-000	COLLAR, MUFFLER MOUNTING	2	2						
		12	18425-ME5-003	PROTECTOR, L. JOINT			1	1	1			
			18425-ME5-610	PROTECTOR, L. JOINT	1	1						
		13	50524-422-000	RUBBER, MAIN STAND STOPPER	2	2	2	2	2			
		14	90118-471-000	BOLT, FLANGE, 8X37	1	1	1	1	1			CM,ED,F,SD,U,1G,2G
		*	95821-08040-00	BOLT, FLANGE, 8X40						1		IT
		15	90155-ME5-000	BOLT, UBS, 8X50	2	2	2	2	2			

K 2

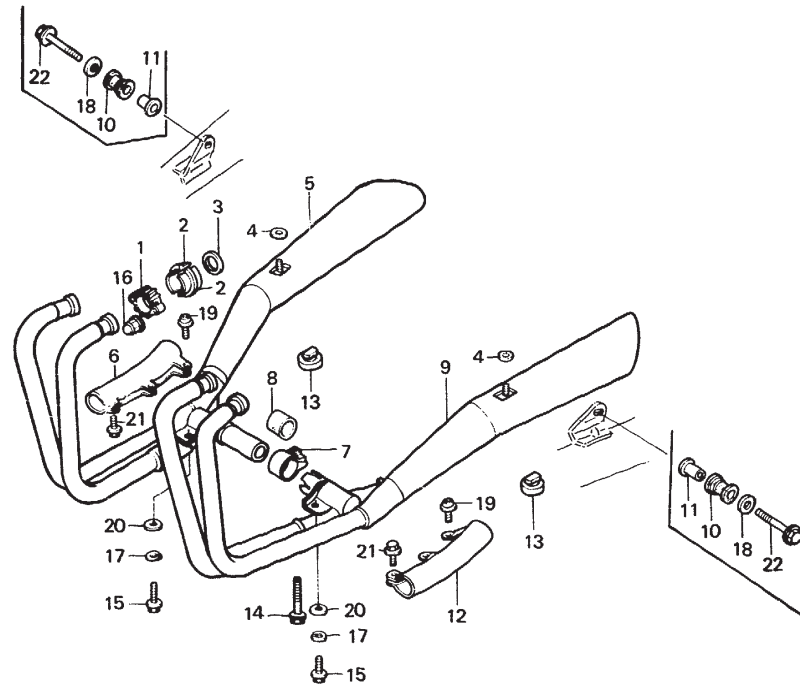
F-20

Exhaust muffler

Pot d'échappement

Auspufftopf

Silenciador



BME5-114

Service item	F.R.T.	Ref. No.	Part No.	Description	Reqd. No.					Serial No.	Area code
					CBX 600Ed	CBX 650Ed	D	E	F		
		16	90304-438-000	NUT, CAP, 6MM	8	8	8	8	8		
		17	90401-MA1-000	WASHER, LOCK	2	2	2	2	2		
		18	90504-MA6-000	WASHER, 8.5X26	2	2					
		19	93893-06010-00	SCREW-WASHER, 6X10	4	4	4	4	4		
		20	94103-08000	WASHER, PLAIN, 8MM	2	2	2	2	2		
		21	95700-06020-00	BOLT, FLANGE, 6X20	2	2	2	2	2		
		22	95700-08045-00	BOLT, FLANGE, 8X45	2	2					

K 3

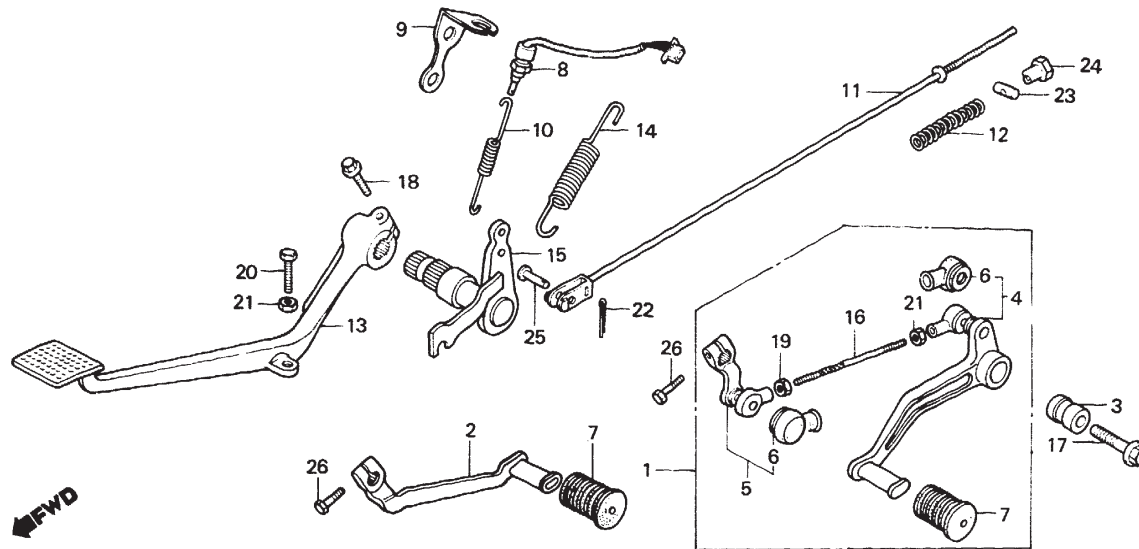
F-21

Pedal

Pédale

Pedal

Pedal



BME5-41A

Service item	F.R.T.	Ref. No.	Part No.	Description	Reqd. No.						Serial No.	Area code	
					CBX 600Ed	CBX 650Ed	D	E	F	CB650SC			
PEDAL, GEAR CHANGE (INC. RELATIVE PART) • PEDAL COMP., RR. BRAKE SWITCH ASSY., RR. STOP ROD COMP., RR. BRAKE • SPINDLE COMP., RR. BRAKE	0.1	1	24700-ME5-000	PEDAL, GEAR CHANGE			1	1	1				
			2	24700-ME5-610	PEDAL, GEAR CHANGE			1	1				
			3	24705-MB0-000	COLLAR, GEAR CHANGE PEDAL						1	1	1
		0.3	4	24720-ME5-000	PEDAL COMP., CHANGE						1	1	1
		0.4	5	24721-ME5-000	ARM COMP., GEAR CHANGE						1	1	1
			6	24724-422-000	COVER, DUST						2	2	2
			7	24781-419-000	RUBBER, GEAR CHANGE PEDAL	1	1	1	1	1	1	1	1
			8	35350-ME5-000	SWITCH ASSY., RR. STOP	1	1	1	1	1	1	1	1
			9	35351-ME5-000	STAY, STOP SWITCH	1	1	1	1	1	1	1	1
			10	35357-ME5-000	SPRING, STOP SWITCH	1	1	1	1	1	1	1	1
			11	43451-ME5-000	ROD COMP., RR. BRAKE	1	1	1	1	1	1	1	1
			12	43472-460-840	SPRING, BRAKE ROD	1	1	1	1	1	1	1	1
			13	46500-ME5-000	PEDAL COMP., RR. BRAKE						1	1	1

K 4

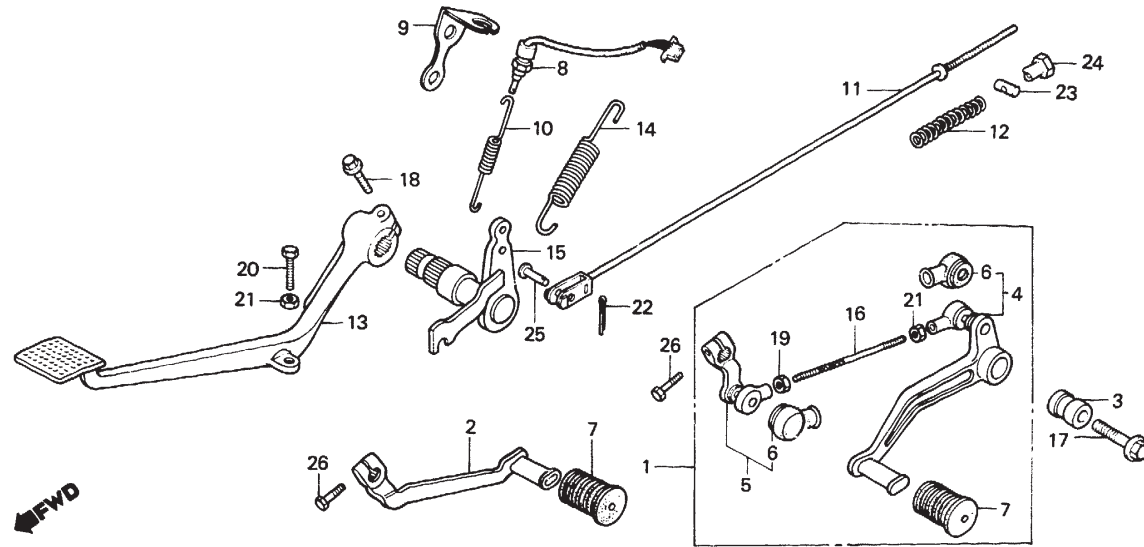
F-21

Pedal

Pédale

Pedal

Pedal



BME5-41A

Service item	F.R.T.	Ref. No.	Part No.	Description	Reqd. No.					Serial No.	Area code
					CBX 600Ed	CBX 650Ed	D	E	F		
			46500-ME5-610	PEDAL COMP., RR. BRAKE	1	1					
		14	46514-ME5-000	SPRING, RR. BRAKE ARM RETURN	1	1	1	1	1		
		15	46515-ME5-000	SPINDLE COMP., RR. BRAKE				1	1	1	
			46515-ME5-610	SPINDLE COMP., RR. BRAKE	1	1					
		16	90065-ME5-000	BOLT, TIE ROD				1	1	1	
		17	90103-MB0-000	BOLT, SPECIAL FLANGE, 8X28				1	1	1	CM
		*	90106-MB3-000	BOLT, SPECIAL FLANGE, 8X30						1	IT
		18	90183-438-000	BOLT, SPECIAL FLANGE, 8X26	1	1	1	1	1	1	
		19	90201-700-000	NUT, GOVERNOR ARM FIXING	1	1	1	1	1	1	
		20	92025-06025-0B	BOLT, HEX., 6X25	1	1					
			92030-06030-0H	BOLT, HEX., 6X30				1	1	1	
		21	94002-06220-0S	NUT, HEX., 6MM	1	1					
			94002-06020-0S	NUT, HEX., 6MM				2	2	2	
		22	94201-16120	PIN, SPLIT, 1.6X12	1	1	1	1	1	1	

K 5

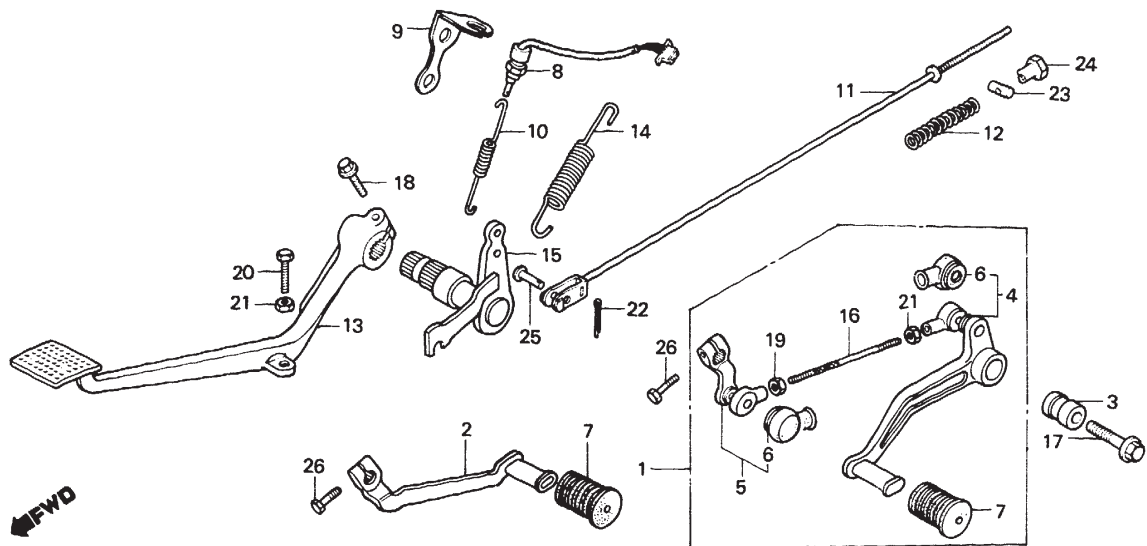
F-21

Pedal

Pédale

Pedal

Pedal



BME5-41A

Service item	F.R.T.	Ref. No.	Part No.	Description	Reqd. No.						Serial No.	Area code
					CBX 600ED	CBX 650ED	D	E	F	CB8650SC		
		23	95015-32001	JOINT B, BRAKE ARM	1	1	1	1	1			
		24	95015-42000	NUT B, BRAKE ROD ADJUSTING	1	1	1	1	1			
		25	95015-52000	PIN B, BRAKE ROD JOINT	1	1	1	1	1			
		26	95700-06018-00	BOLT, FLANGE, 6X18	1	1	1	1	1			

K 6

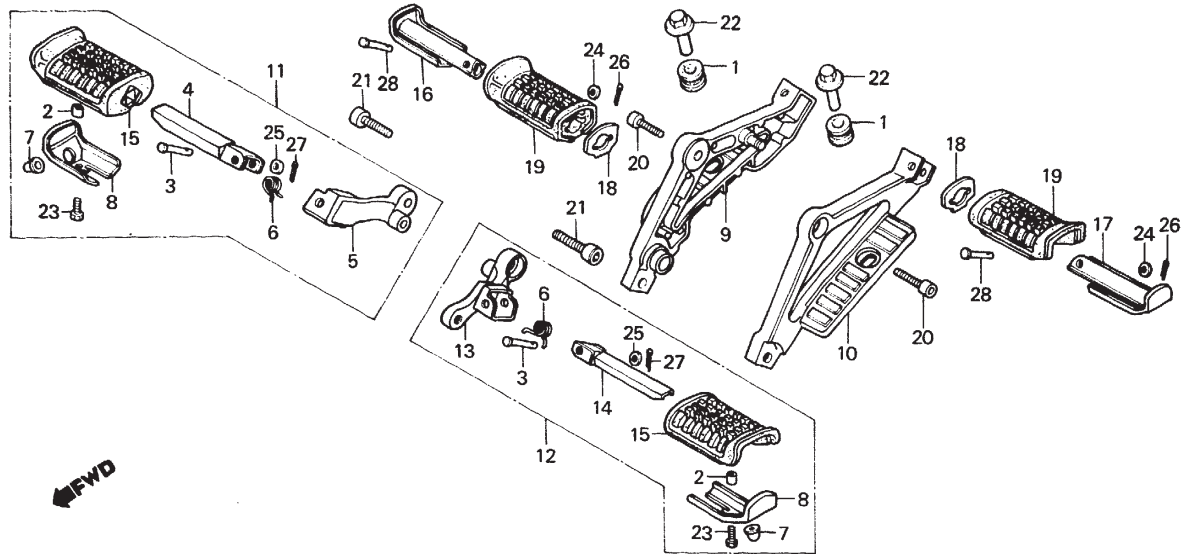
F-22

Step

Repose pieds

Tritt

Estribo



BME5-42

Service item	F.R.T.	Ref. No.	Part No.	Description	Reqd. No.					Serial No.	Area code
					CBX 600Ed	CBX 650Ed	D	E	F		
HOLDER, R. STEP	0.3	1	18421-ME5-000	RUBBER, MUFFLER MOUNTING	2	2	2	2	2		
HOLDER, L. STEP	0.2	2	40515-413-000	COLLAR, CHAIN CASE	2	2	2	2	2		
STEP ASSY., R. MAIN (INC. RELATIVE PART)	0.1	3	50603-033-000	PIN, STEP BAR JOINT	2	2	2	2	2		
•STEP ASSY., L. MAIN (INC. RELATIVE PART)		4	50612-MB1-000	BAR COMP., R. STEP	1	1	1	1	1		
•BAR, R. PILLION STEP (INC. RELATIVE PART)		5	50615-ME5-000	BRACKET COMP., R. STEP			1	1	1		
•BAR, L. PILLION STEP (INC. RELATIVE PART)			50615-ME5-610	BRACKET COMP., R. STEP	1	1					
		6	50617-195-000	SPRING, STEP RETURN	2	2	2	2	2		
		7	50618-MB1-000	SLIDER, STEP			2	2	2		
			50618-ME5-610	SLIDER, STEP	2	2					
		8	50619-MB0-000	STOPPER, STEP RUBBER	2	2	2	2	2		
		9	50620-ME5-000	HOLDER, R. STEP			1	1	1		
			50620-ME5-610	HOLDER, R. STEP	1	1					
		10	50621-ME5-000	HOLDER, L. STEP			1	1	1		
			50621-ME5-610	HOLDER, L. STEP	1	1					
		11	50630-ME5-000	STEP ASSY., R. MAIN			1	1	1		
			50630-ME5-610	STEP ASSY., R. MAIN	1	1					

K 7

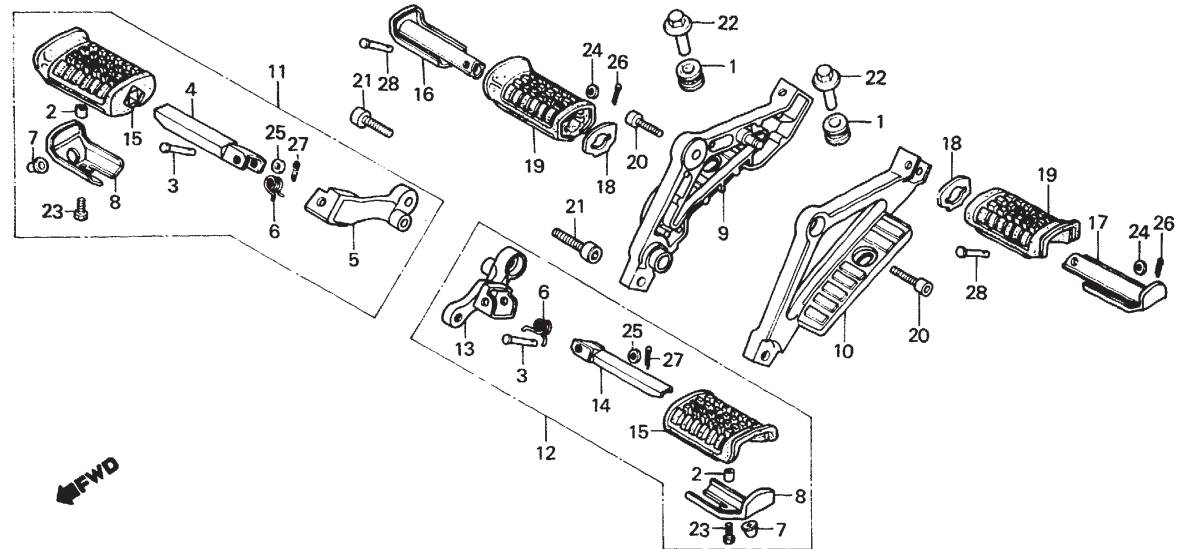
F-22

Step

Repose pieds

Tritt

Estribo



BME5-42

Service item	F.R.T.	Ref. No.	Part No.	Description	Reqd. No.						Serial No.	Area code
					CBX 600Ed	CBX 650Ed	D	E	F			
		12	50640-ME5-000	STEP ASSY., L. MAIN			1	1	1			
			50640-ME5-610	STEP ASSY., L. MAIN	1	1						
		13	50641-ME5-000	BRACKET COMP., L. STEP			1	1	1			
			50641-ME5-610	BRACKET COMP., L. STEP	1	1						
		14	50642-MB1-000	BAR COMP., L. STEP	1	1	1	1	1			
		15	50661-MB0-000	RUBBER, MAIN STEP	2	2	2	2	2			
		16	50711-MB0-000	BAR, R. PILLION STEP	1	1	1	1	1			
		17	50712-MB0-000	BAR, L. PILLION STEP	1	1	1	1	1			
		18	50714-MB0-000	WASHER, PILLION STEP	2	2	2	2	2			
		19	50715-MB0-000	RUBBER, PILLION STEP	2	2	2	2	2			
		20	90142-ME5-000	BOLT, SOCKET, 8X22	2	2	2	2	2			
		21	90143-ME5-000	BOLT, SOCKET, 10X28	2	2	2					
			90156-ME5-000	BOLT, SOCKET, 10X40						2	2	
			90143-ME5-010	BOLT, SOCKET, 10X40						2	2	

K 8

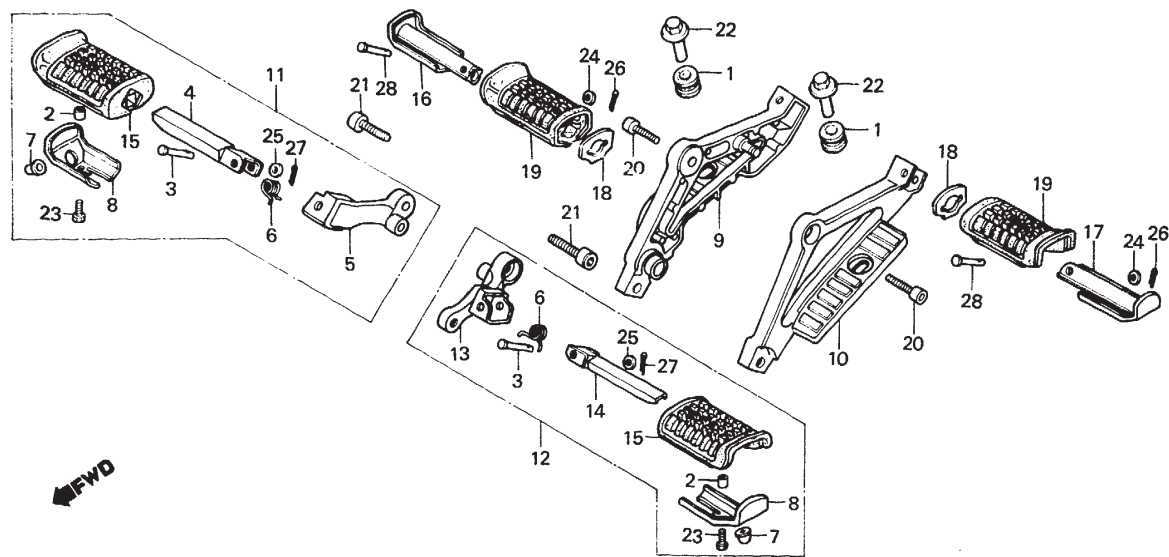
F-22

Step

Repose pieds

Tritt

Estribo



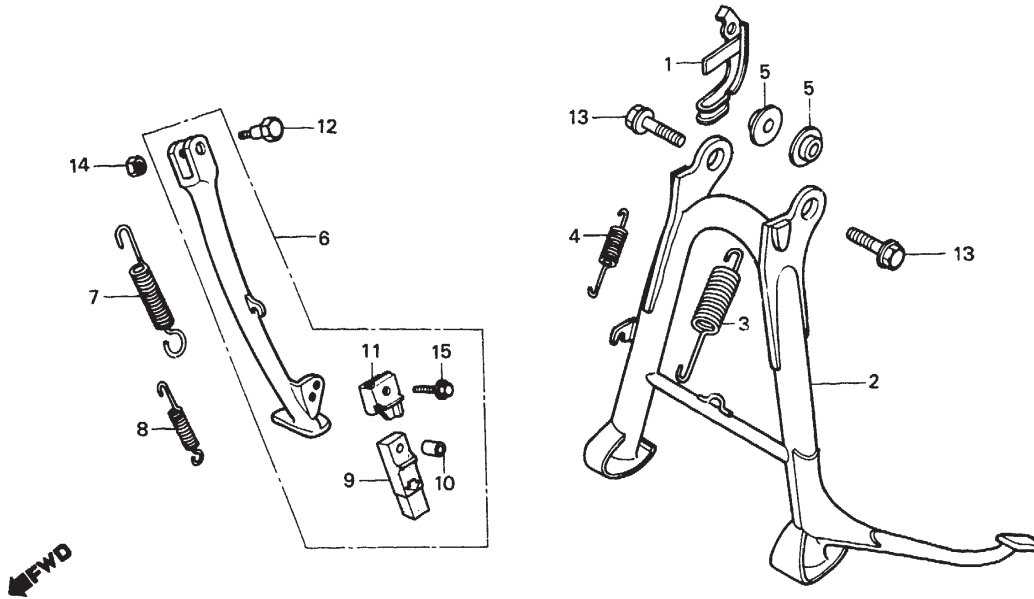
BME5-42

Service item	F.R.T.	Ref. No.	Part No.	Description	Reqd. No.						Serial No.	Area code
					CBX 600Ed	CBX 650Ed	D	E	F	CB650SC		
		22	90353-ME5-000	NUT, MUFFLER MOUNTING	2	2	2	2	2	2		
		23	92000-06016-0A	BOLT, HEX., 6X16	2	2	2	2	2	2		
		24	94101-06000	WASHER, PLAIN, 6MM	2	2	2	2	2	2		
		25	94102-08000	WASHER, PLAIN, 8MM	2	2	2	2	2	2		
		26	94201-16100	PIN, SPLIT, 1.6X10	2	2	2	2	2	2		
		27	94201-16150	PIN, SPLIT, 1.6X15	2	2	2	2	2	2		
		28	95015-83000	PIN C, PILLION STEP	2	2	2	2	2	2		

K 9

F-23

Stand
Bequille
Ständer
Estante



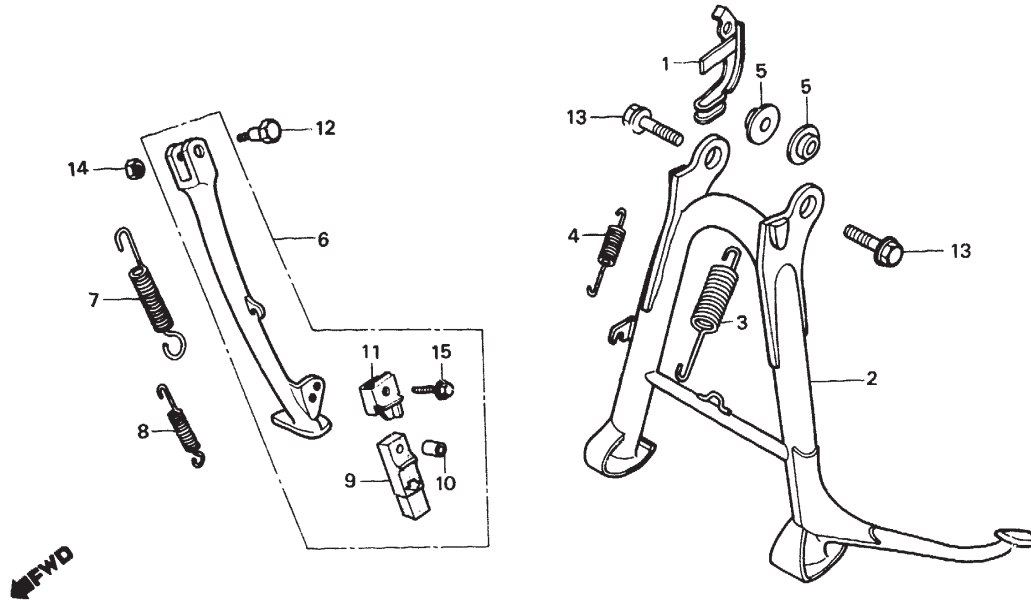
BME5-43A

Service item	F.R.T.	Ref. No.	Part No.	Description	Reqd. No.						Serial No.	Area code
					CBX 600Ed	CBX 650Ed	D	CB650SC E	F			
STAND COMP., MAIN	0.4	1	50324-ME5-000	GUIDE, DRAIN TUBE	1	1	1	1	1			
SPRING, MAIN STAND	0.2	2	50500-ME5-000	STAND COMP., MAIN	1	1	1	1	1			
BAR ASSY., SIDE STAND	0.1	3	50501-ME5-000	SPRING, MAIN STAND	1	1	1	1	1			
SPRING, SIDE STAND		4	50502-ME5-610	SUB SPRING, MAIN STAND		1						1G,2G
		5	50503-MA1-000	COLLAR, MAIN STAND	2	2	2	2	2			
		6	50540-ME5-000	BAR ASSY., SIDE STAND	1	1	1	1	1			
			50540-ME5-610	BAR ASSY., SIDE STAND		1				2001541	2001540	CM,IT,SD,2G ED,F,U,1G ED,F,U,1G
		7	50541-MB0-000	SPRING, SIDE STAND	1	1	1	1	1			
		8	50542-MB0-610	SUB SPRING, SIDE STAND		1					3001231	1G 2G 2G
			50542-MB0-611	SUB SPRING, SIDE STAND		1				3001232		
		9	50548-356-700	RUBBER, STAND	1	1	1	1	1			
		10	50549-356-700	COLLAR, STAND RUBBER SETTING	1	1	1	1	1			

K 10

F-23

Stand
Bequille
Ständer
Estante



BME5-43A

Service item	F.R.T.	Ref. No.	Part No.	Description	Reqd. No.						Serial No.	Area code
					CBX 600Ed	CBX 650Ed	D	E	F	CB650SC		
		11	50574-MB0-000	BRACKET, SIDE STAND RUBBER	1	1	1	1	1			CM,IT,SD,2G
			50574-ME5-610	BRACKET, SIDE STAND RUBBER		1					2001540	ED,F,U,1G
		12	90108-MB0-000	BOLT, SIDE STAND PIVOT	1	1	1	1	1		2001541	ED,F,U,1G
		13	90119-671-000	BOLT, FR. RADIUS ROD	2	2	2	2	2			CM,ED,F,SD,U,1G,2G
		*	95815-10028-08	BOLT, FLANGE, 10X28					2			IT
		14	94031-10000	NUT, HEX., 10MM	1	1	1	1	1			CM,ED,F,SD,U,1G,2G
		15	95700-06025-07	BOLT, FLANGE, 6X25	1	1	1	1	1			IT
		*	90108-MJ1-000	BOLT, FLANGE, 6X25					1			

K 11

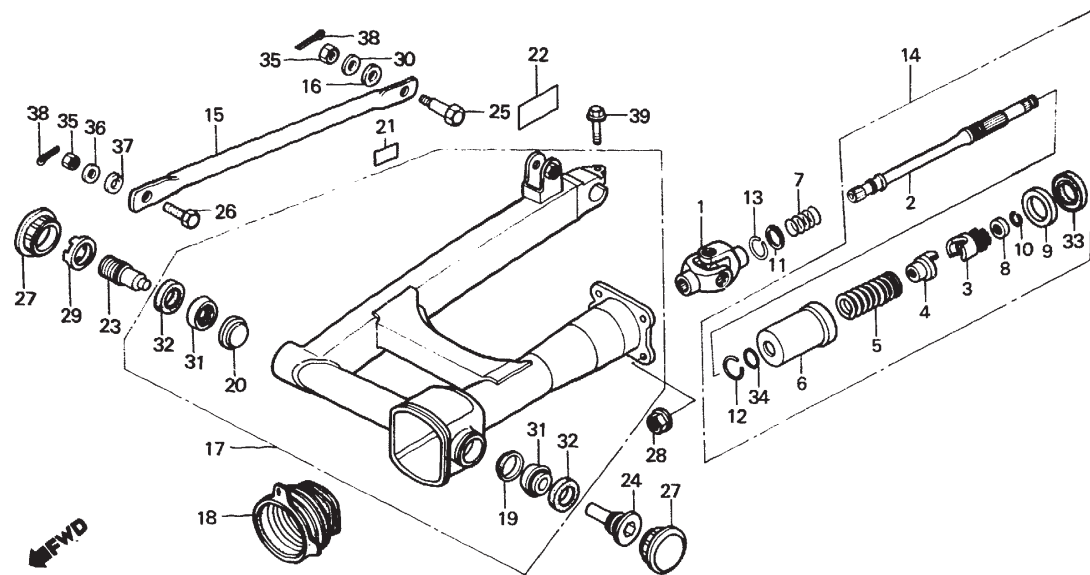
F-24

Rear fork

Fourche arrière

Hintere Schwinge

Horquilla trasera



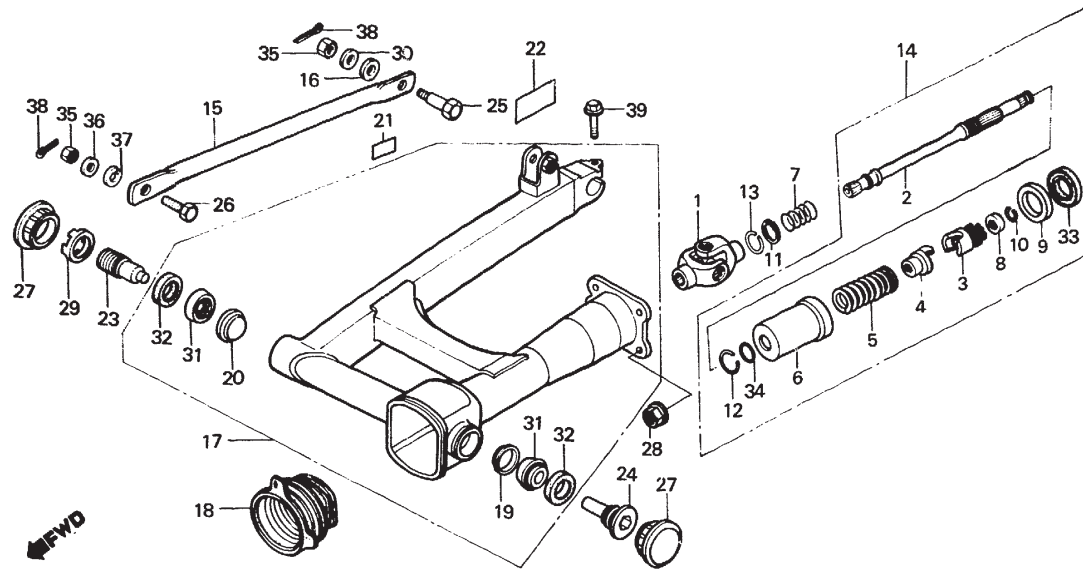
BME5-44

Service item	F.R.T.	Ref. No.	Part No.	Description	Reqd. No.						Serial No.	Area code
					CBX 600Ed	CBX 650Ed	D	CB750SC E	F	F		
JOINT COMP., YOKE	1.0	1	40200-ME5-000	JOINT COMP., YOKE	1	1	1					
• SHAFT COMP., PROPELLER (INC. RELATIVE PART)		2	40201-ME5-300	SHAFT COMP., PROPELLER	1	1	1			1	1	
• FORK ASSY., RR.				40201-ME5-310						1	1	
SHAFT ASSY., PROPELLER	0.6		40201-ME5-310	SHAFT COMP., PROPELLER								
ARM, RR. BRAKE STOPPER	0.2	3	40211-ME5-000	CAM, DAMPER	1	1	1	1	1	1	1	
BOLT, R. RR. FORK PIVOT	0.1	4	40212-ME5-000	LIFTER, DAMPER	1	1	1	1	1	1	1	
BEARING, 30202 (ONE OR ALL)	1.2	5	40213-ME5-000	SPRING, DAMPER CAM	1	1	1	1	1	1	1	
OIL SEAL, 47X56X7	0.7	6	40214-ME5-000	COVER, DAMPER	1	1	1	1	1	1	1	
		7	40215-ME5-000	SPRING, PROPELLER SHAFT	1	1	1	1	1	1	1	
		8	40216-ME5-000	RING, STOPPER	1	1	1					
			40216-ME5-010	STOPPER, SPRING						1	1	
		9	40217-MB0-010	GUIDE, OIL SEAL	1	1	1	1	1	1	1	
		10	40218-ME5-000	RING, SPRING STOPPER	1	1	1	1	1	1	1	
		11	40219-ME5-000	CIRCLIP	1	1	1	1	1	1	1	
		12	40220-ME5-000	RING, DAMPER COVER	1	1	1	1	1	1	1	

K 12

F-24

Rear fork
 Fourche arrière
 Hintere Schwinge
 Horquilla trasera



BME5-44

Service item	F.R.T.	Ref. No.	Part No.	Description	Reqd. No.						Serial No.	Area code
					CBX 600Ed	CBX 650Ed	D	E	F	CB650SC		
		13	40221-MB0-000	RING, STOPPER	1	1	1					
		14	40250-ME5-000	SHAFT ASSY., PROPELLER				1			EM106371	
		15	43431-415-000	ARM, RR. BRAKE STOPPER	1	1	1	1	1		EM106372	
		16	43434-ME1-670	RUBBER, STOPPER ARM	1	1	1	1	1			
		17	52100-ME5-000ZA	FORK ASSY., RR. *NH-1*	1	1	1	1	1			
		18	52105-ME5-000	BOOT, JOINT	1	1	1	1	1			
		19	52118-ME5-004	PLATE, DUST SEAL	1	1	1	1	1			
		20	52118-415-000	PLATE, DUST SEAL	1	1	1	1	1			
		21	87504-463-670	MARK, MUFFLER CAUTION					1		DM016289	
		22	87504-463-720	MARK, MUFFLER CAUTION (FRENCH)				1	1	1		CM
		22	87505-ME5-610	MARK, TIRE CAUTION	1	1			1			ED,IT,SD,U,1G,2G

K 13

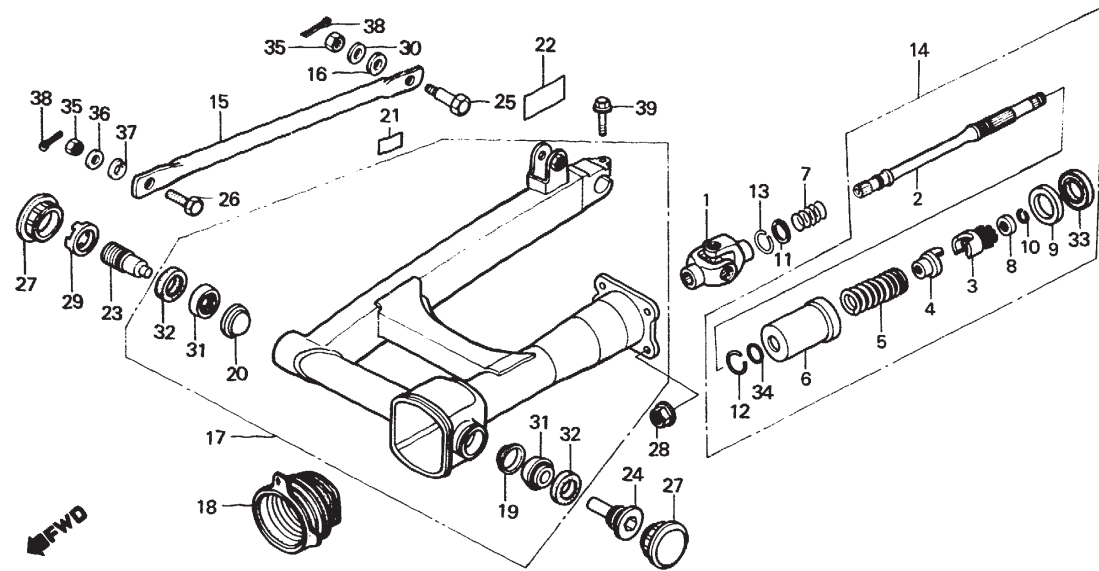
F-24

Rear fork

Fourche arrière

Hintere Schwinge

Horquilla trasera



BME5-44

Service item	F.R.T.	Ref. No.	Part No.	Description	Reqd. No.						Serial No.	Area code
					CBX 600E	CBX 650E	CB650SC D	E	F			
			87505-ME5-620	MARK, TIRE CAUTION (FRENCH)		1						F
			87505-ME5-670	MARK, TIRE CAUTION			1	1	1			CM
			87505-ME5-720	MARK, TIRE CAUTION (FRENCH)			1	1	1			CM
		23	90121-ME5-000	BOLT, R. RR. FORK PIVOT	1	1	1	1	1			
		24	90124-ME5-000	BOLT, L. RR. FORK PIVOT	1	1	1	1	1			
		25	90127-393-000	BOLT, RR. BRAKE STOPPER	1	1	1	1	1			
		26	90133-286-000	BOLT, RR. BRAKE STOPPER ARM	1	1	1	1	1			
		27	90302-ME5-000	CAP, R. LOCK NUT	2	2	2	2	2			
		28	90308-ME5-000	NUT, HEX., 10MM	3	3	3	3	3			
		29	90354-ME5-000	NUT, LOCK, 23MM	1	1	1	1	1			
		30	90505-425-000	WASHER, 8MM	1	1	1	1	1			
		31	91066-415-003	BEARING, 30202 (TOYO)	2	2	2	2	2			
			91066-415-004	BEARING, 30202 (NACHI)	2	2	2	2	2			

K 14

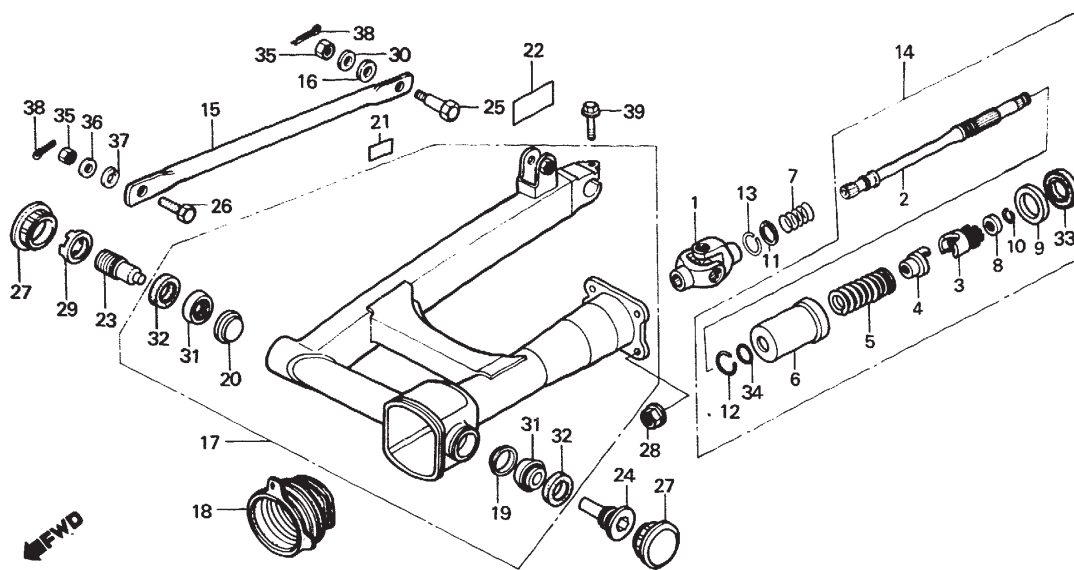
F-24

Rear fork

Fourche arrière

Hintere Schwinge

Horquilla trasera



BME5-44

Service item	F.R.T.	Ref. No.	Part No.	Description	Reqd. No.						Serial No.	Area code
					CBX 600Ed	CBX 650Ed	D	E	F			
			91066-415-005	BEARING, 30202 (KOYO)	2	2	2	2	2	2		
			91066-415-006	BEARING, 30202 (NIPPON SEIKO)	2	2	2	2	2	2		
		32	91266-ME5-003	OIL SEAL, 20X35X5	2	2	2	2	2	2		
			91266-ME5-004	OIL SEAL, 20X35X5	2	2	2	2	2	2		
		33	91271-MB0-000	OIL SEAL, 47X56X7	1	1	1	1	1	1		CM,ED,F,SD,U,1G,2G
			91271-MB0-003	OIL SEAL, 47X56X7	1	1	1	1	1	1		
			91271-MB0-004	OIL SEAL, 47X56X7	1	1	1	1	1	1		
		34	91361-ME5-003	O-RING, 18X1.9	1	1	1	1	1	1		
			91361-ME5-004	O-RING, 18X1.9	1	1	1	1	1	1		
		35	94001-08000-0S	NUT, HEX., 8MM	2	2	2	2	2	2		
		36	94101-08000	WASHER, PLAIN, 8MM	1	1	1	1	1	1		
		37	94111-10000	WASHER, SPRING, 10MM	1	1	1	1	1	1		
		38	94201-20180	PIN, SPLIT, 2.0X18	2	2	2	2	2	2		
		39	95700-08032-00	BOLT, FLANGE, 8X32	1	1	1	1	1	1		

K 15

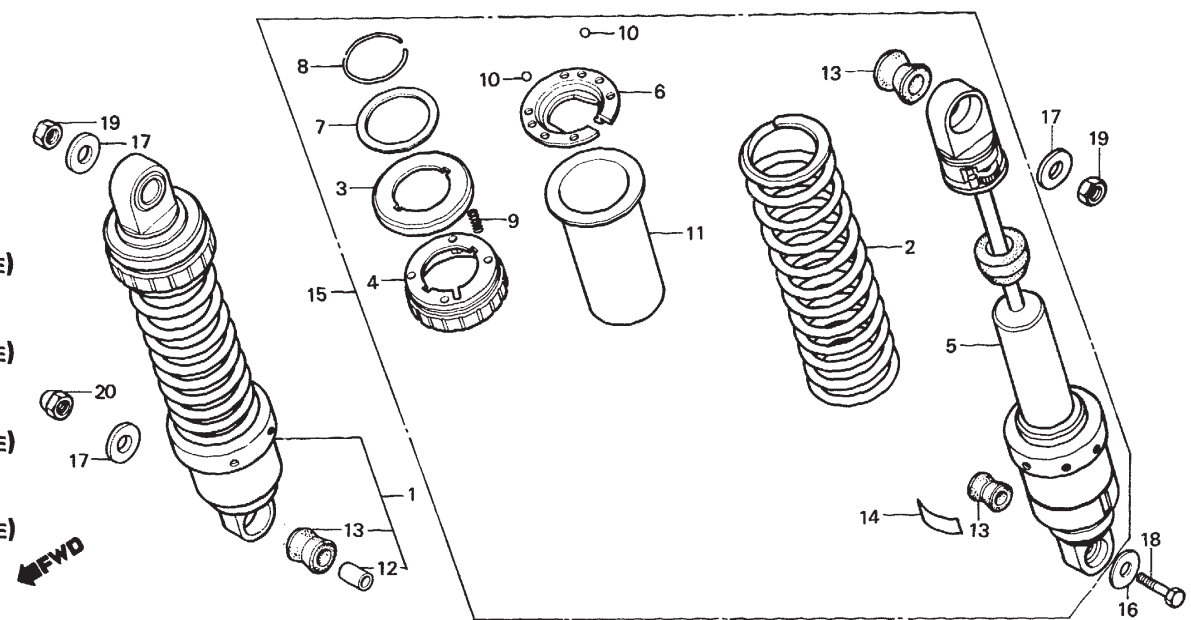
F-25

Rear cushion
(CBX600ED•CBX650ED•CB650SCD•SCE)

Amortisseur arrière
(CBX600ED•CBX650ED•CB650SCD•SCE)

Hinterer Stoßdämpfer
(CBX600ED•CBX650ED•CB650SCD•SCE)

Amortiguador trasero
(CBX600ED•CBX650ED•CB650SCD•SCE)



BME5-45

Service item	F.R.T.	Ref. No.	Part No.	Description	Reqd. No.				Serial No.	Area code
					CBX 600ED	CBX 650ED	CB650SC D	CB650SC E F		
CUSHION ASSY., R. RR.	0.1	1	52400-ME5-003	CUSHION ASSY., R. RR.	1	1				
			52400-ME5-671	CUSHION ASSY., R. RR.			1	1		
CUSHION ASSY., L. RR. DAMPER COMP., RR. (INC. RELATIVE PART)	0.3	2	52401-ME5-003	SPRING, RR. CUSHION	2	2	2	2		
		3	52402-ME5-003	CASE A, ADJUSTER	2	2	2	2		
		4	52403-ME5-003	CASE B, ADJUSTER	2	2	2	2		
		5	52410-ME5-003	DAMPER COMP., RR.	2					
			52410-ME5-671	DAMPER COMP., RR.	2				4000206 2000786 DM017085	ED,F,U,1G
					2			4000207		
					2		2		CM,2G	
					2			2000787 DM017086	ED,F,U,1G	
		6	52451-ME5-003	SEAT, LOCK	2	2	2	2		
		7	52452-ME5-003	STOPPER, SPRING SEAT	2	2	2	2		
		8	52453-ME5-003	RING, STOPPER	2	2	2	2		
		9	52454-ME5-003	SPRING, COIL	4	4	4	4		
		10	52456-ME5-003	BALL	4	4	4	4		

K 16

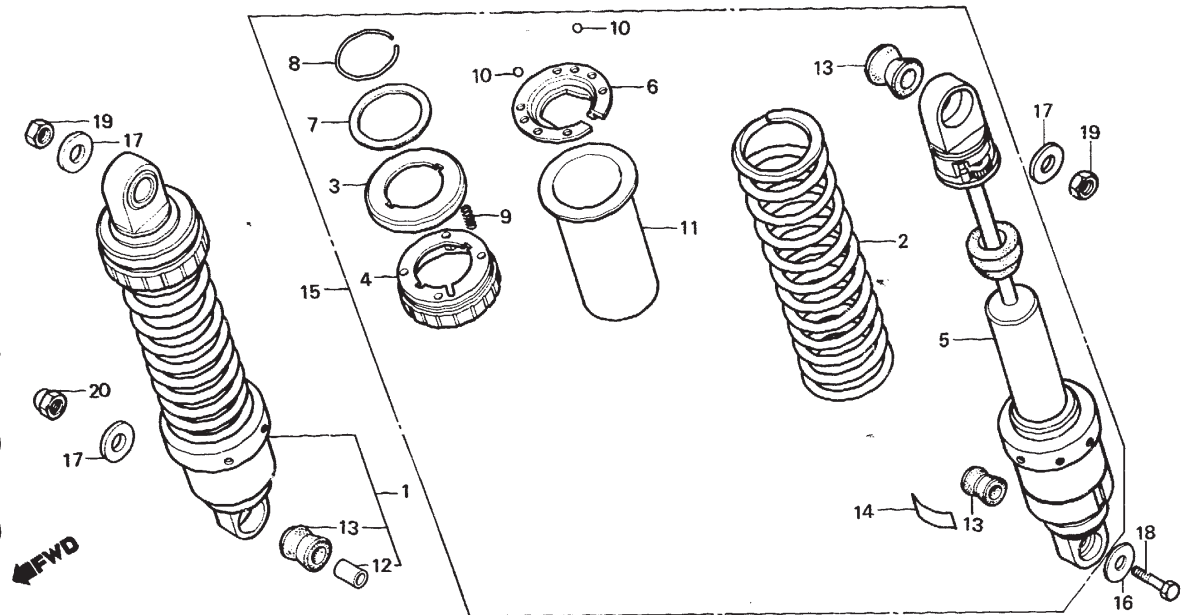
F-25

Rear cushion
(CBX600Ed•CBX650Ed•CB650SCd•SCe)

Amortisseur arrière
(CBX600Ed•CBX650Ed•CB650SCd•SCe)

Hinterer Stoßdämpfer
(CBX600Ed•CBX650Ed•CB650SCd•SCe)

Amortiguador trasero
(CBX600Ed•CBX650Ed•CB650SCd•SCe)



BME5-45

Service item	F.R.T.	Ref. No.	Part No.	Description	Reqd. No.				Serial No.	Area code
					CBX 600Ed	CBX 650Ed	D	E F		
		11	52462-ME5-003	GUIDE, SPRING	2	2	2	2		
		12	52486-463-000	COLLAR, RR. CUSHION	1	1	1	1		
		13	52489-461-771	BUSH, UPPER RUBBER (SHOWA)	4	4	4	4		
		14	52495-MB1-300	EMBLEM, RR. CUSHION	1	1				
		14	52495-MB1-670	EMBLEM, RR. CUSHION			2	2		
		15	52500-ME5-003	CUSHION ASSY., L. RR.	1	1				
		15	52500-ME5-671	CUSHION ASSY., L. RR.			1	1		
		16	90439-463-000	WASHER, PLAIN, 16MM	1	1	1	1		
		17	90521-292-000	WASHER, 10.3MM	3	3	3	3		
		18	93200-10035-0B	BOLT, HEX., 10X35	1	1	1	1		
		19	94001-10000-0S	NUT, HEX., 10MM	2	2	2	2		
		20	94021-10020-0S	NUT, CAP, 10MM	1	1	1	1		

L 1

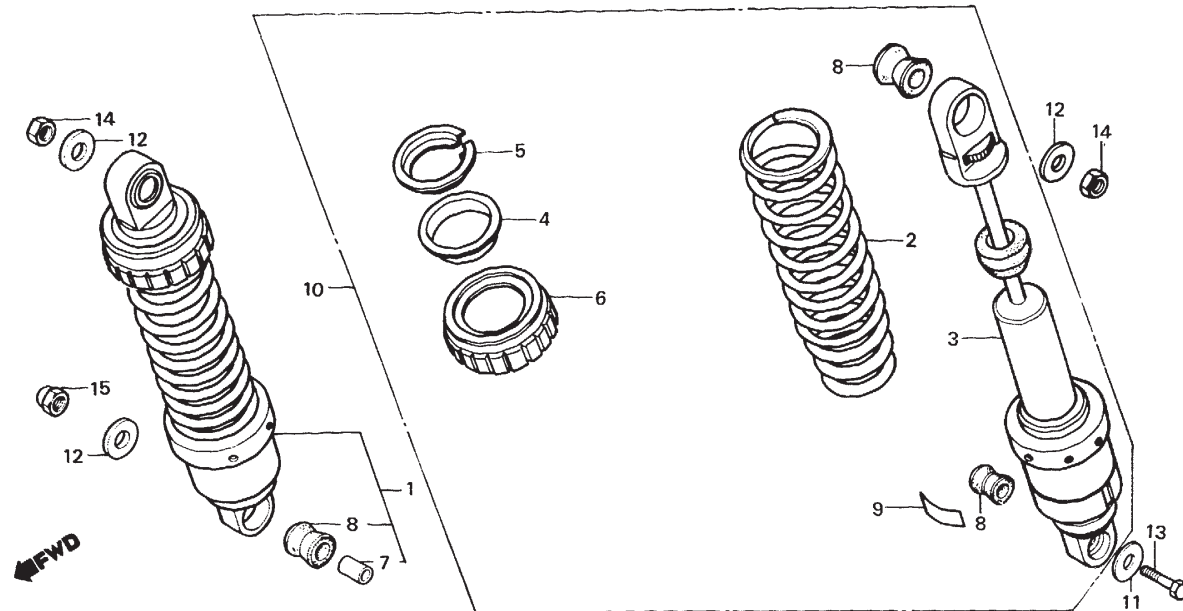
F-25-1

**Rear cushion
(CB650SCf)**

**Amortisseur arrière
(CB650SCf)**

**Hinterer Stoßdämpfer
(CB650SCf)**

**Amortiguador trasero
(CB650SCf)**



BME5-110

Service item	F.R.T.	Ref. No.	Part No.	Description	Reqd. No.			Serial No.	Area code
					CBX 600Ed	CBX 650Ed	CB650SC D E F		
CUSHION ASSY., R. RR.	0.1	1	52400-ME5-781	CUSHION ASSY., R. RR.			1		
CUSHION ASSY., L. RR.		2	52401-ME5-781	SPRING, RR. CUSHION			2		
DAMPER COMP., RR. (INC. RELATIVE PART)	0.3	3	52410-ME5-781	DAMPER COMP., RR.			2		
		4	52450-ME5-781	COVER, PROTECTOR			2		
		5	52452-ME5-781	STOPPER, SPRING SEAT			2		
		6	52460-ME5-781	CASE, RR. CUSHION UPPER			2		
		7	52486-463-000	COLLAR, RR. CUSHION			1		
		8	52489-461-771	BUSH, UPPER RUBBER (SHOWA)			4		
		9	52496-MB4-003	LABEL A			2		
		10	52500-ME5-781	CUSHION ASSY., L. RR.			1		
		11	90439-463-000	WASHER, PLAIN, 16MM			1		
		12	90521-292-000	WASHER, 10.3MM			3		
		13	93200-10035-0B	BOLT, HEX., 10X35			1		
		14	94001-10000-0S	NUT, HEX., 10MM			2		
		15	94021-10020-0S	NUT, CAP, 10MM			1		

L 2

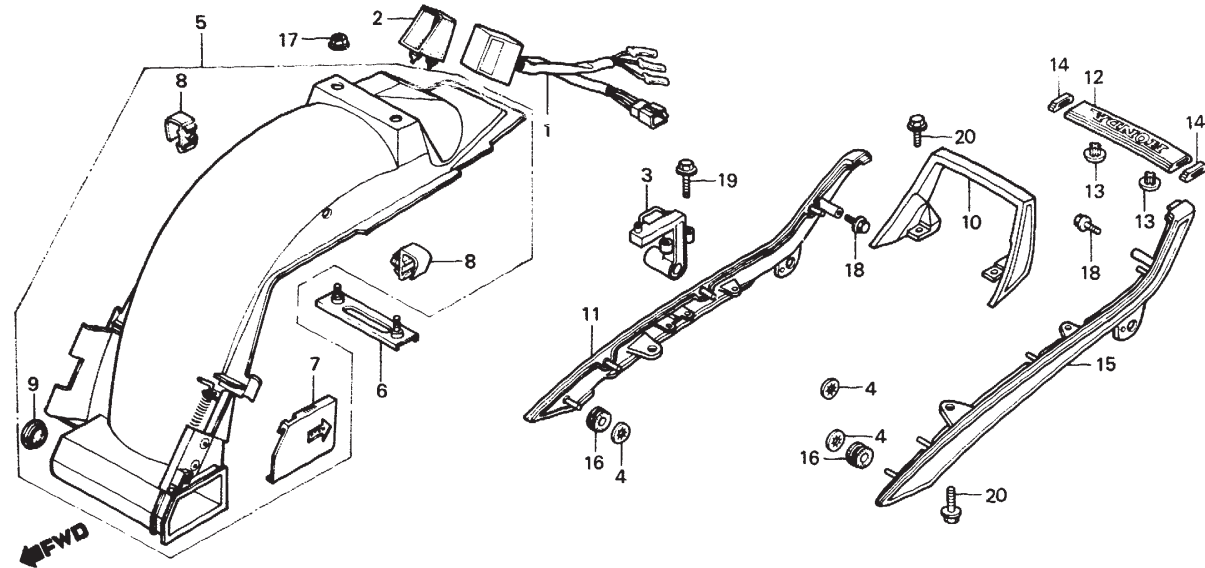
F-26

Rear fender

Garde-boue arrière

Hinterer Kotflügel

Parafango trasero



BME5-46

Service item	F.R.T.	Ref. No.	Part No.	Description	Reqd. No.						Serial No.	Area code
					CBX 600Ed	CBX 650Ed	D	CB650SC	E	F		
SENSOR, STOP & TAIL • FENDER ASSY. B, RR.	0.3	1	35550-MB1-008	SENSOR, STOP & TAILLIGHT	1	1				1	ED,F,IT,SD,U,1G,2G CM	
			35550-MB1-671	SENSOR, STOP & TAILLIGHT			1	1	1	1		
• RAIL, GRAB (ADD 0.2 FOR EACH.) HOLDER ASSY., HELMET • GRIP, RR.	0.1	2	35551-ME5-000	SUSPENSION, STOP & TAIL	1	1	1	1	1	1		
			3	50710-ME5-003	HOLDER ASSY., HELMET	1	1	1	1	1		
			4	77201-ME5-000	CLIP, RR. COWL SETTING	8	8	8	8	8		
			5	80100-ME5-000	FENDER ASSY. B, RR.	1	1	1	1	1		
			6	80102-ME5-000	PLATE, RR. FENDER SETTING	1	1	1	1	1		
			7	80104-ME5-000	LID, TOOL BOX	1	1	1	1	1		
			8	80110-147-000	CLAMP, CABLE	2	2	2	2	2		
			9	80123-ME5-000	PLUG, FENDER	1	1	1	1	1		
			10	84100-ME5-610	GRIP, RR.	1	1					
				84100-ME5-000	GRIP, RR.			1	1	1		
			11	84150-ME5-610	RAIL, R. GRAB	1	1					
84150-ME5-000	RAIL, R. GRAB				1	1	1					

L 3

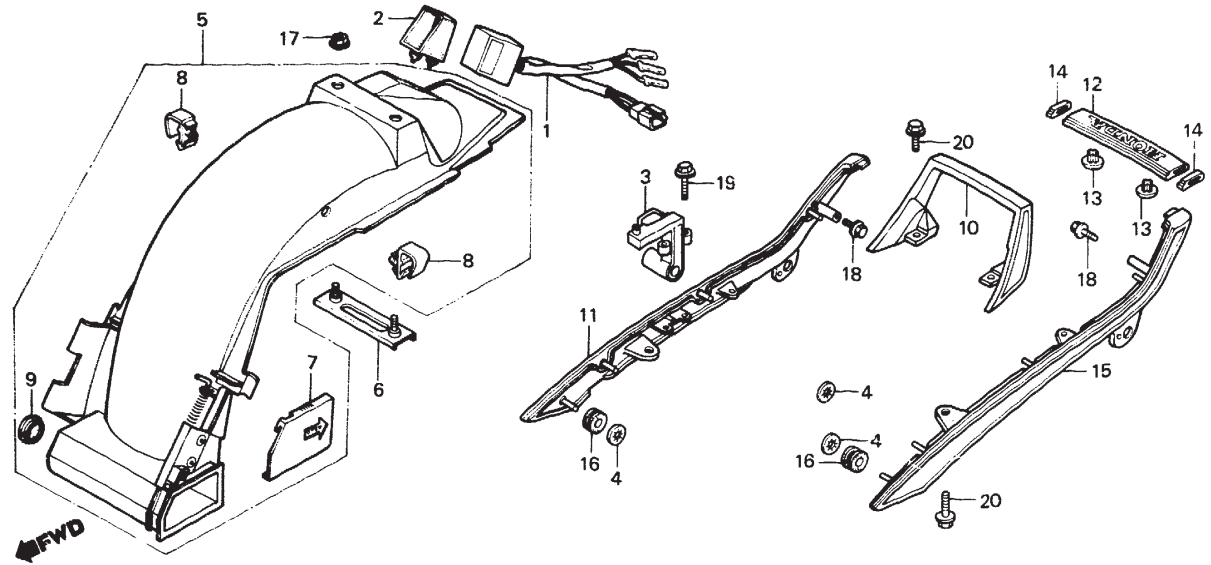
F-26

Rear fender

Garde-boue arrière

Hinterer Kotflügel

Parafango trasero



BME5-46

Service item	F.R.T.	Ref. No.	Part No.	Description	Reqd. No.						Serial No.	Area code
					CBX 600Ed	CBX 650Ed	D	CB650SC E	F			
		12	84155-ME5-000	JOINT, GRAB RAIL	1	1	1	1	1			
		13	84156-ME5-000	RUBBER, GRAB RAIL JOINT	2	2	2	2	2			
		14	84157-ME5-000	RUBBER, GRAB RAIL SPACER	2	2	2	2	2			
		15	84200-ME5-610	RAIL, L. GRAB	1	1						
			84200-ME5-000	RAIL, L. GRAB				1	1	1		
		16	84905-ME5-000	RUBBER, SIDE COVER SETTING	2	2	2	2	2			
		17	94050-06000	NUT, FLANGE, 6MM	2	2	2	2	2			
		18	95700-06010-00	BOLT, FLANGE, 6X10	2	2	2	2	2			
		19	95700-06020-00	BOLT, FLANGE, 6X20	1	1	1	1	1			
		20	95700-08020-00	BOLT, FLANGE, 8X20	6	6	6	6	6			

L 4

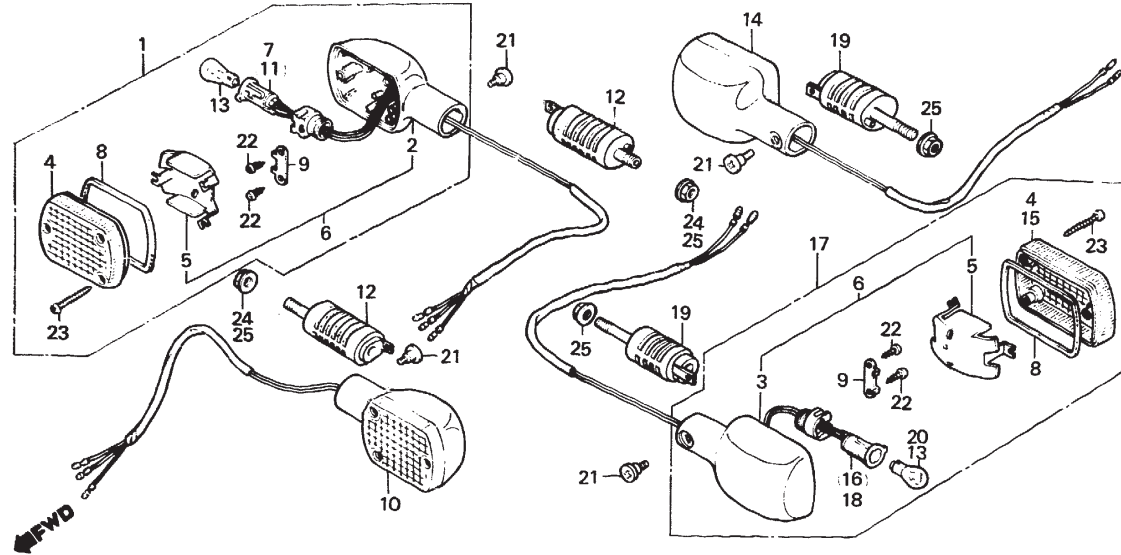
F-27

Winker

Clignotant

Blinker

Luz intermitente



BME5-47A

Service item	F.R.T.	Ref. No.	Part No.	Description	Reqd. No.					Serial No.	Area code	
					CBX 600Ed	CBX 650Ed	D	E	F			
WINKER ASSY. (ADD 0.1 FOR EACH.) (INC. RELATIVE PART) (EXC. RELATED PARTS BELOW) BULB (WHEN SERVICING COMP., UNIT, F.R.T. IS 0.2.)	0.2	1	33400-ME5-003	WINKER ASSY., R. FR. (12V 23W)		1					U	
			33400-ME5-651	WINKER ASSY., R. RR. (12V 21W)	1	1			1		ED,F,IT,SD,1G,2G	
			33400-ME5-671	WINKER ASSY., R. FR. (12V 23/8W)					1	1	1	CM
	0.1	2	33401-MB1-003	BASE, WINKER	2	2	2	2	2			
		3	33401-MB1-671	BASE, WINKER	2	2	2	2	2			
		4	33402-MB1-003	LENS, WINKER	2	2	4	4	4	4		CM,ED,F,SD,1G,2G
							4			2		IT,U
		5	33403-MB1-003	REFLECTOR, WINKER	4	4						
			33403-MB1-671	REFLECTOR, WINKER			4	4	4			
	6	33404-MB1-601	BASE COMP., WINKER	4	4				4		ED,F,IT,SD,U,1G,2G	
	7	33405-ME5-003	CORD COMP., R. FR. WINKER	1	1				1		ED,F,IT,SD,U,1G,2G	
		33405-ME5-671	CORD COMP., R. FR. WINKER				1	1	1		CM	
	8	33407-MB1-003	PACKING, LENS	4	4	4	4	4	4			
	9	33408-MB1-003	HOLDER	4	4	4	4	4	4			

L 5

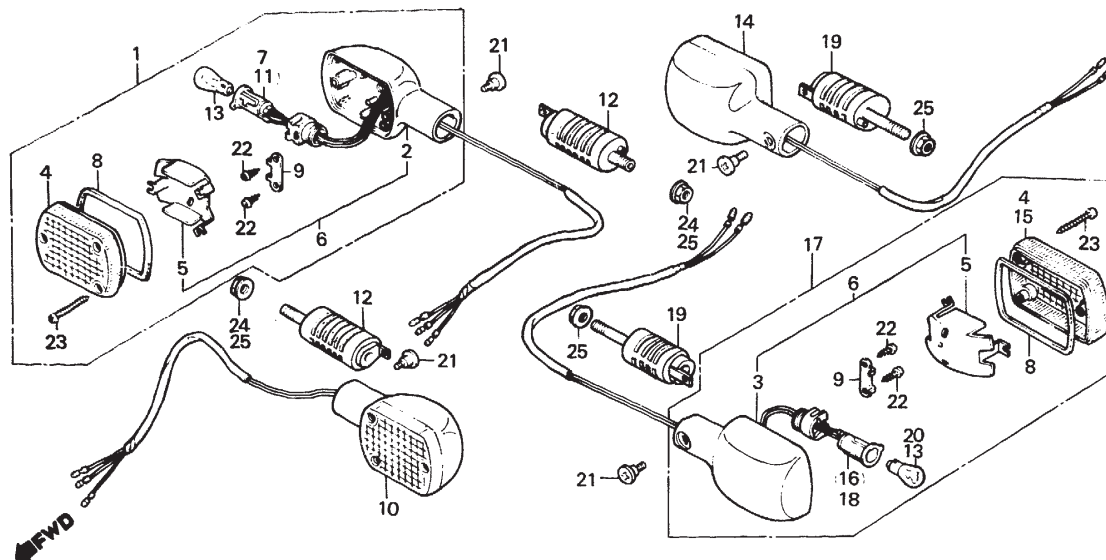
F-27

Winker

Clignotant

Blinker

Luz intermitente



BME5-47A

Service item	F.R.T.	Ref. No.	Part No.	Description	Reqd. No.						Serial No.	Area code
					CBX 600Ed	CBX 650Ed	D	E	F	CB650SC		
		10	33450-ME5-003	WINKER ASSY., L. FR. (12V 23W)		1						U
			33450-ME5-651	WINKER ASSY., L. RR. (12V 21W)	1	1				1		ED,F,IT,SD,1G,2G
			33450-ME5-671	WINKER ASSY., L. FR. (12V 23/8W)						1	1	CM
		11	33455-ME5-003	CORD COMP., L. FR. WINKER	1	1				1		ED,F,IT,SD,U,1G,2G
			33455-ME5-671	CORD COMP., L. FR. WINKER				1	1	1		CM
		12	33490-ME5-000	STAY, FR. WINKER	2	2	2	2	2			
		13	33551-568-610	BULB				2	2	2		CM
			34905-268-671	BULB, WINKER (12V23W)		4						U
			34908-634-611	BULB (12V21W)	4	4				4		ED,F,IT,SD,U,1G,2G
		14	33600-ME5-003	WINKER ASSY., R. RR. (12V 23W)		1						U
			33600-ME5-651	WINKER ASSY., R. RR. (12V 21W)	1	1				1		ED,F,IT,SD,1G,2G

L 6

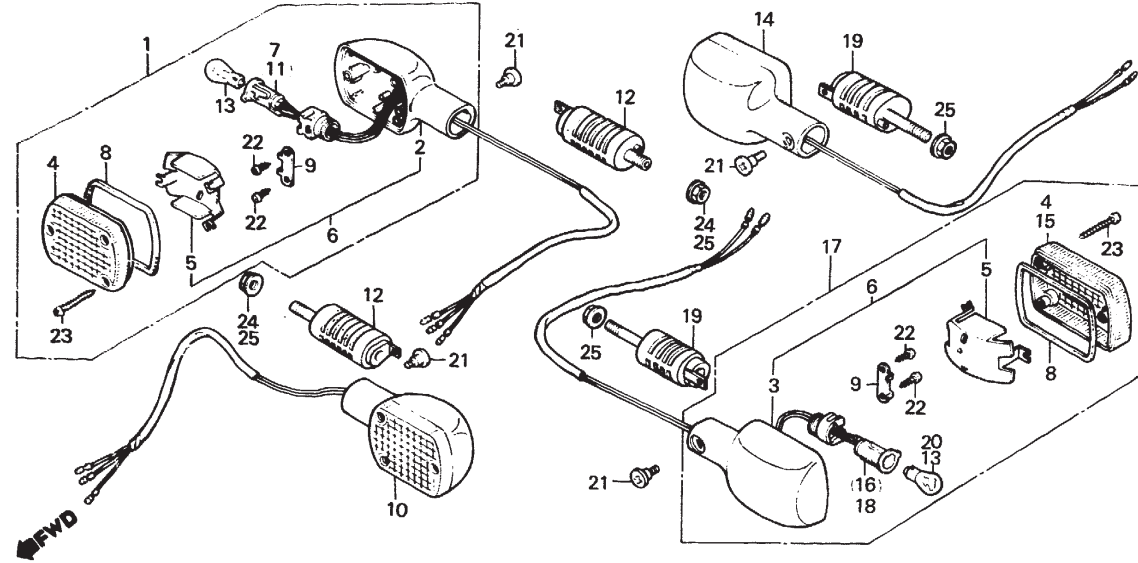
F-27

Winker

Clignotant

Blinker

Luz intermitente



BME5-47A

Service item	F.R.T.	Ref. No.	Part No.	Description	Reqd. No.						Serial No.	Area code
					CBX 600Ed	CBX 650Ed	CB650SC D	E	F			
		15	33600-ME5-671 33602-MB1-601	WINKER ASSY., R. RR. (12V 23W) LENS, WINKER	2	2	1	1	1			CM ED,F,IT,SD,1G,2G
		16	33605-ME5-003	CORD COMP., R. RR. WINKER	1	1	1	1	1			
		17	33650-ME5-003 33650-ME5-651 33650-ME5-671	WINKER ASSY., L. RR. (12V 23W) WINKER ASSY., L. RR. (12V 21W) WINKER ASSY., L. RR. (12V 23W)	1	1				1		U ED,F,IT,SD,1G,2G CM
		18	33655-ME5-003	CORD COMP., L. RR. WINKER	1	1	1	1	1			
		19	33690-ME5-003	STAY, RR. WINKER	2	2	2	2	2			
		20	34905-268-671	BULB, WINKER (12V23W)			2	2	2			CM
		21	90380-MB1-000	SCREW, SPECIAL, 6X8	4	4	4	4	4			
		22	93901-34320	SCREW, TAPPING, 4X12	8	8	8	8	8			

L 7

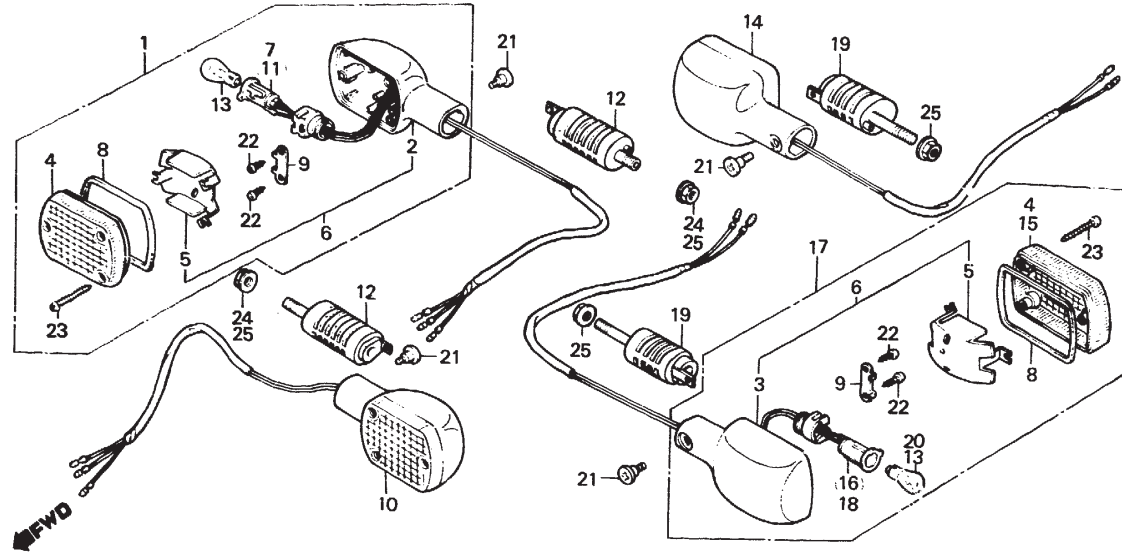
F-27

Winker

Clignotant

Blinker

Luz intermitente



BME5-47A

Service item	F.R.T.	Ref. No.	Part No.	Description	Reqd. No.						Serial No.	Area code
					CBX 600Ed	CBX 650Ed	D	E	F	CB650SC		
		23	93901-34610	SCREW, TAPPING, 4X25	12	12	12	12	12			
		•24	94001-12000-0S	NUT, HEX., 12MM								IT
		25	94050-12000	NUT, FLANGE, 12MM	4	4	4	4	4			CM,ED,F,SD,U,1G,2G
												IT

L 8

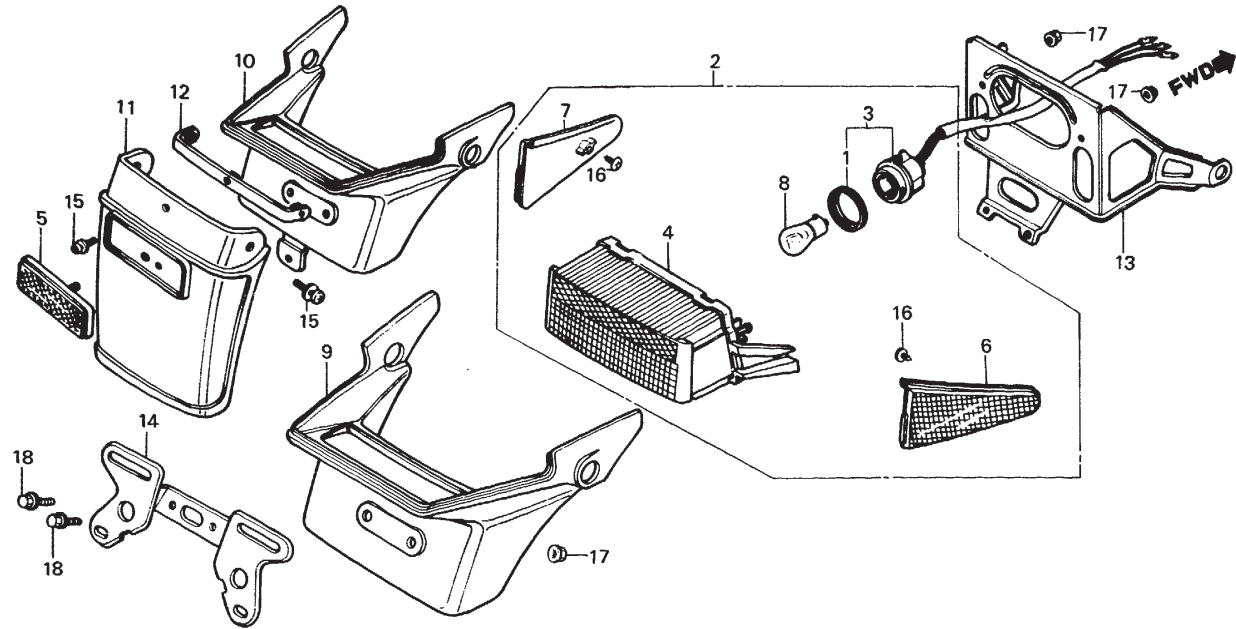
F-28

Tailight

Feu arrière

Rücklicht

Luz trasera



BME5-48A

Service item	F.R.T.	Ref. No.	Part No.	Description	Reqd. No.						Serial No.	Area code
					CBX 600Ed	CBX 650Ed	D	E	F	CB650SC		
TAILLIGHT UNIT	0.3	1	33518-SA2-003	GASKET, SEAL	1	1	1	1	1			
• SUB ASSY., TAILLIGHT		2	33701-ME5-003	TAILLIGHT UNIT (12V 23/8W)							U	
• SUB ASSY., TAILLIGHT			33701-ME5-611	TAILLIGHT UNIT (12V 21/5W)	1	1					ED,F,IT,SD,1G,2G	
• REFLECTOR, R. RR. REFLEX			33701-ME5-671	TAILLIGHT UNIT			1	1	1		CM	
• CORD COMP., TAILLIGHT	0.2	3	33705-MB0-601	CORD COMP., TAILLIGHT	1	1	1	1	1			
• BULB, TAILLIGHT	0.1	4	33706-ME5-611	SUB ASSY., TAILLIGHT	1	1					ED,F,IT,SD,U,1G,2G	
• MUDGUARD, RR. FENDER			33706-ME5-671	SUB ASSY., TAILLIGHT							CM	
• FENDER A, RR.	0.4	5	33741-MC7-611	REFLECTOR, REFLEX	1	1					IT	
• FENDER COMP., RR.			33741-MC7-612	REFLECTOR, REFLEX								
• BRACKET, TAILLIGHT												
		6	33741-ME5-003	REFLECTOR, R. RR. REFLEX	1	1					ED,F,IT,SD,U,1G,2G	
			33742-ME5-671	REFLECTOR, R. RR. REFLEX			1	1	1		CM	
		7	33742-ME5-003	REFLECTOR, L. RR. REFLEX	1	1					ED,F,IT,SD,U,1G,2G	
			33743-ME5-671	REFLECTOR, L. RR. REFLEX			1	1	1		CM	
		8	34906-313-671	BULB, STOP & TAILLIGHT			1				U	
				(12V23/8W)								
			34906-341-671	BULB, TAILLIGHT (12V32/3CP)				1	1	1	CM	
			34911-634-611	BULB (12V 21/5W)	1	1					ED,F,IT,SD,1G,2G	

L 9

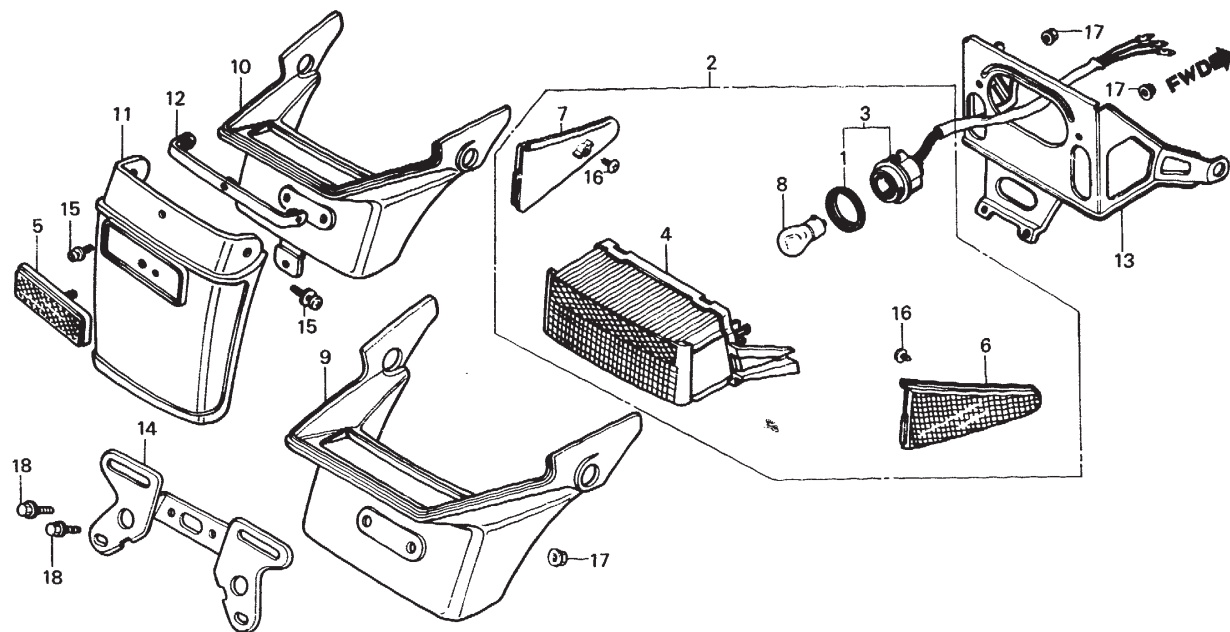
F-28

Tailight

Feu arrière

Rücklicht

Luz trasera



BME5-48A

Service item	F.R.T.	Ref. No.	Part No.	Description	Reqd. No.						Serial No.	Area code
					CBX 600Ed	CBX 650Ed	D	CB650SC	E	F		
		9	80103-ME5-000	FENDER A, RR.			1	1	1			CM
			80103-ME5-610	FENDER A, RR.	1	1				1		ED,F,IT,SD
		10	80105-ME5-610	FENDER COMP., RR.		1						1G,2G
		11	80121-ME5-610	MUDGUARD, RR. FENDER	1	1						ED,SD
		12	80122-ME5-610	STAY, MUDGUARD	1	1						ED,SD
			80122-ME5-620	STAY, MUDGUARD						1		IT
		13	84700-ME5-000	BRACKET, TAILLIGHT				1	1	1		CM
			84700-ME5-610	BRACKET, TAILLIGHT	1	1				1		ED,F,IT,SD,U,1G,2G
		14	84701-ME5-670	BRACKET, NUMBER PLATE				1	1	1		CM
		15	93891-05012-07	SCREW-WASHER, 5X12	3	3	3	3	3	3		CM,ED,F,SD,U,1G,2G
		16	93903-35280	SCREW, TAPPING, 5X12	2	2	2	2	2	2		
		17	94050-06000	NUT, FLANGE, 6MM	4	4	4	4	4	4		
		18	95700-06012-07	BOLT, FLANGE, 6X12	2	2	2	2	2	2		

L 10

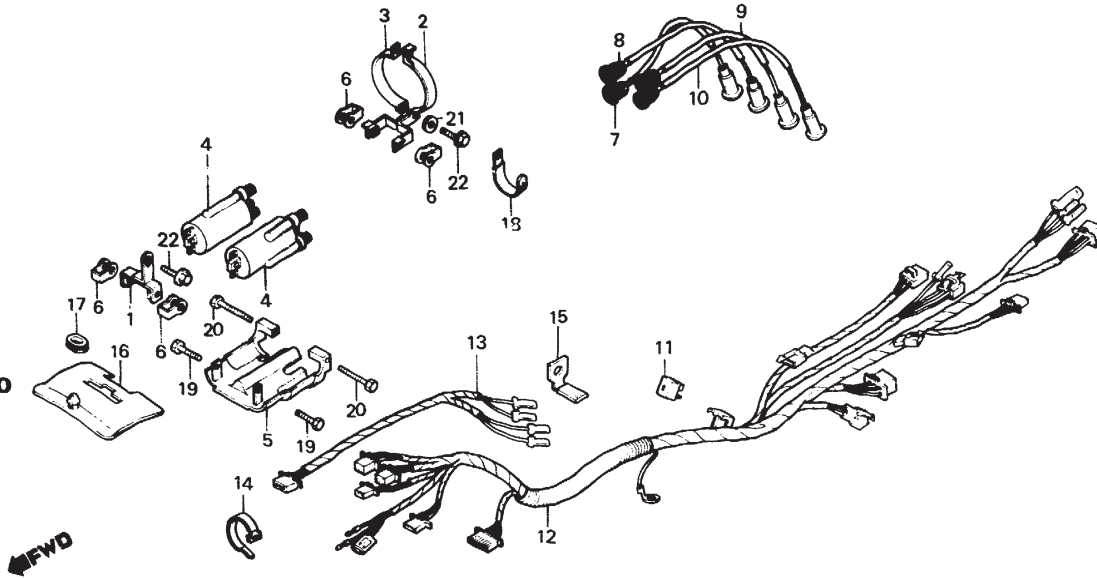
F-29

Wire harness • Ignition coil

Faisceau électrique • Bobine d'allumage

Kabelbaum • Zündspule

Equipo de alambre • Bobina de encendido



BME5-49

Service item	F.R.T.	Ref. No.	Part No.	Description	Reqd. No.					Serial No.	Area code
					CBX 600Ed	CBX 650Ed	CB650SC D	E	F		
COIL COMP., IGNITION (ADD 0.1 FOR EACH.)	0.3	1	30505-ME5-000	BRACKET, IGNITION COIL FR.	1	1	1	1	1		
		2	30506-ME5-000	BRACKET, IGNITION COIL RR.	1	1	1	1	1		
	0.2	3	30507-ME5-000	BAND, R. IGNITION COIL STAY	1	1	1	1	1		
		4	30510-MA6-013	COIL COMP., IGNITION	2	2	2	2	2		
		5	30515-ME5-000	COVER, IGNITION COIL	1	1	1	1	1		
RECTIFIER ASSY., SILICON HARNESS, WIRE	1.3	6	30520-MB0-000	SPACER, IGNITION COIL	4	4	4	4	4		
		7	30751-ME5-000	CAP ASSY., HIGH TENSION (1-1)	1	1	1	1	1		
		8	30752-ME5-000	CAP ASSY., HIGH TENSION (2-4)	1	1	1	1	1		
		9	30753-ME5-000	CAP ASSY., HIGH TENSION (3-2)	1	1	1	1	1		
		10	30754-ME5-000	CAP ASSY., HIGH TENSION (4-3)	1	1	1	1	1		

L 11

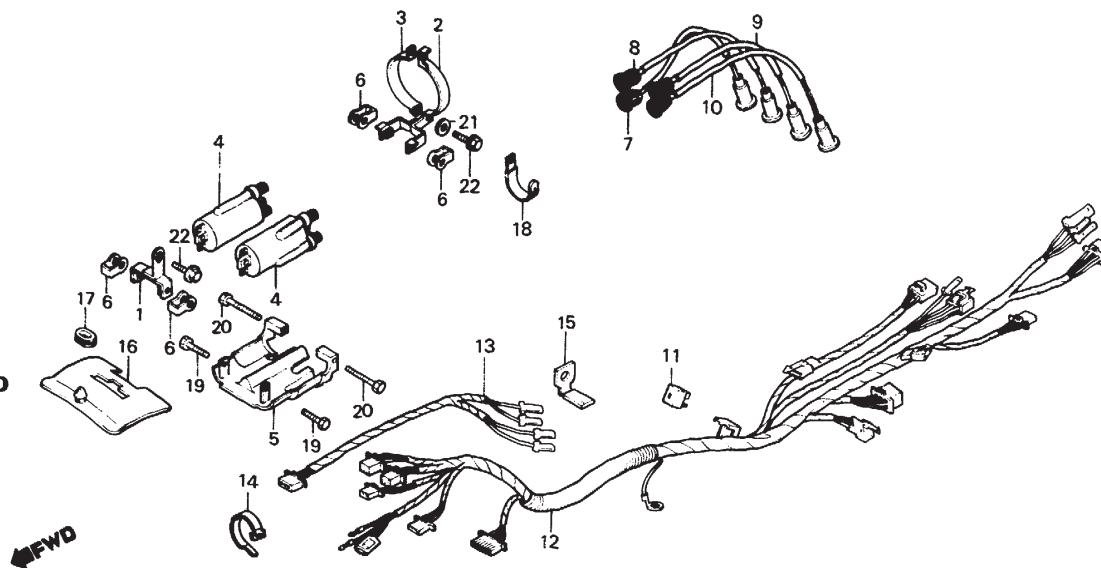
F-29

Wire harness • Ignition coil

Faisceau électrique • Bobine d'allumage

Kabelbaum • Zündspule

Equipo de alambre • Bobina de encendido



BME5-49

Service item	F.R.T.	Ref. No.	Part No.	Description	Reqd. No.						Serial No.	Area code
					CBX 600Ed	CBX 650Ed	D	E	F	CB650SC		
		11	31700-124-003	RECTIFIER ASSY., SILICON (STANLEY)	1	1	1	1	1			
			31700-124-008	RECTIFIER ASSY., SILICON (SHINDENGEN)	1	1	1	1	1			
		12	32100-ME5-000	HARNESS, WIRE	1	1	1	1	1			
		13	32107-ME5-000	HARNESS, IGNITION COIL SUB WIRE	1	1	1	1	1			
		14	32161-399-000	BAND, WIRE	1	1	1	1	1			
		15	32170-ME5-000	CLIP, WIRE HARNESS	1	1	1	1	1			
		16	50750-ME5-000	GUIDE, AIR	1	1	1	1				
		17	83551-300-000	GROMMET, AIR CLEANER CASE	1	1	1	1				
		18	91406-ME5-000	CLIP, WIRE	2	2	2	2	2			
		19	92000-06025-4J	BOLT, HEX., 6X25	2	2	2	2	2			
		20	92000-06050-4J	BOLT, HEX., 6X50	2	2	2	2	2			
		21	94101-06000	WASHER, PLAIN, 6MM			1			DM000239		
		22	95700-06016-00	BOLT, FLANGE, 6X16	2	2	2		1	1		
			95700-06020-00	BOLT, FLANGE, 6X20				2	2			

L 12

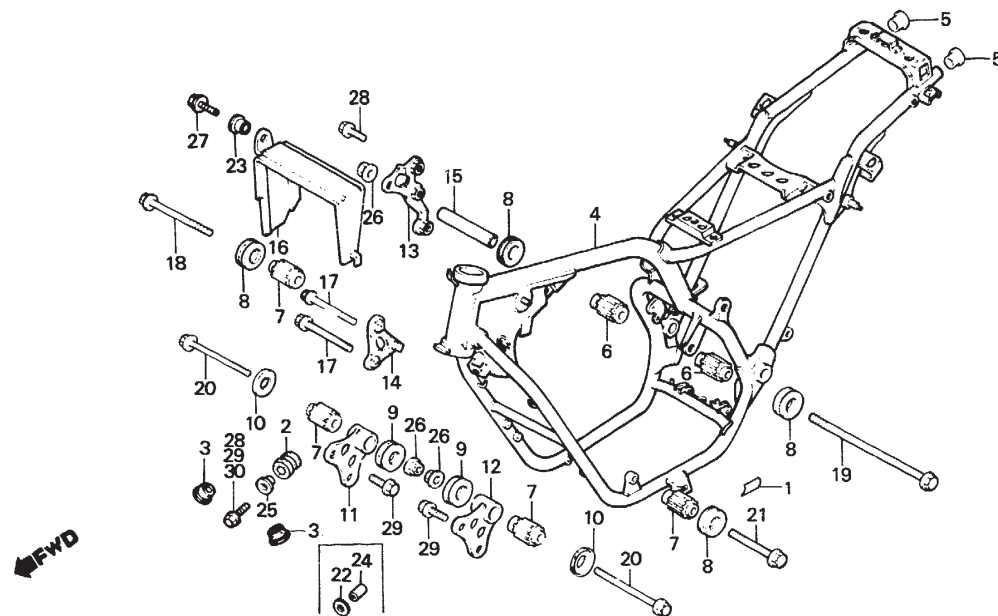
F-30

Frame body

Cadre

Rahmen

Cuerpo de cuadro



BME5-50E

Service item	F.R.T.	Ref. No.	Part No.	Description	Reqd. No.					Serial No.	Area code	
					CBX 600Ed	CBX 650Ed	D	E	F			
BODY COMP., FRAME	*8.6	1	11347-ME5-620	MARK, OIL LEVEL GUAGE CAUTION (FRENCH)	1	1	1	1			CM,F	
				11347-ME5-670	MARK, OIL LEVEL GUAGE CAUTION	1	1	1	1	1		CM,ED,IT,SD,U,1G,2G
		* 2	15604-MG7-000	GROMMET, OIL COOLER						1		IT
		3	15605-MA6-000	GROMMET, OIL COOLER	2	2	2	2	2			
		4	50100-ME4-640ZA	BODY COMP., FRAME *NH-1*	1							1G,2G
			50100-ME5-610ZA	BODY COMP., FRAME *NH-1*		1						ED,F,U
			50100-ME5-620ZA	BODY COMP., FRAME *NH-1*		1						
			50100-ME5-670ZA	BODY COMP., FRAME *NH-1*			1					
			50100-ME5-780ZA	BODY COMP., FRAME *NH-1*						1		CM
			50100-ME5-672ZA	BODY COMP., FRAME *NH-1*					1			
		* 5	50100-ME5-710ZA	BODY COMP., FRAME *NH-1*							1	IT
			50180-ME5-000	CAP, SUB TUBE	2	2	2	2	2	2		
		6	50201-461-000	RUBBER A, ENGINE MOUNTING	2	2	2	2	2	2		
		7	50202-ME5-000	RUBBER B, MOUNTING	4	4	4	4	4	4		
8	50203-MB0-000	RUBBER C, MOUNTING	4	4	4	4	4	4				
9	50203-ME5-000	RUBBER C, MOUNTING	2	2	2	2	2	2				

L 13

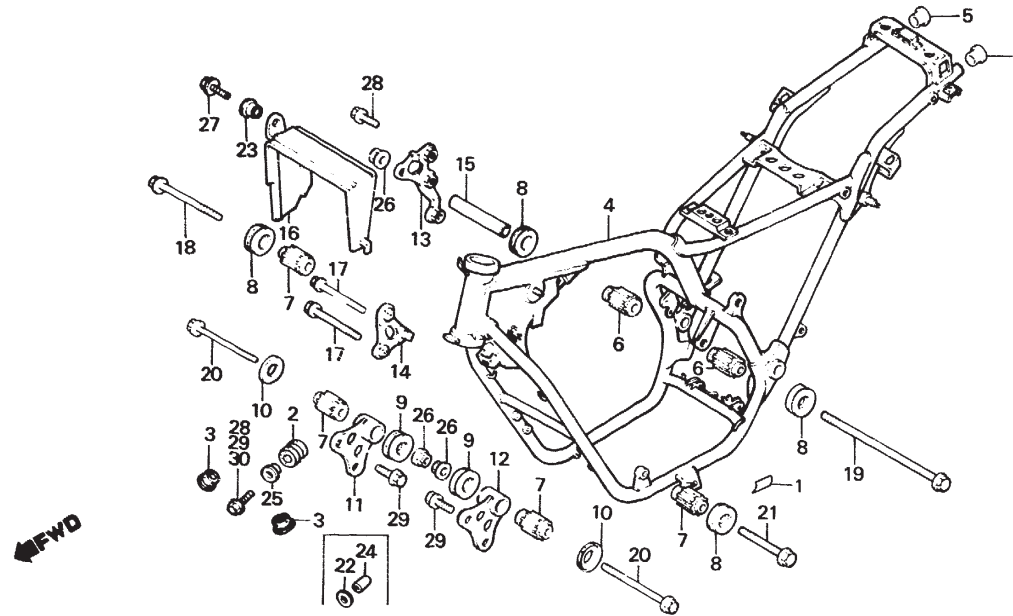
F-30

Frame body

Cadre

Rahmen

Cuerpo de cuadro



BME5-50E

Service item	F.R.T.	Ref. No.	Part No.	Description	Reqd. No.					Serial No.	Area code
					CBX 600Ed	CBX 650Ed	D	E	F		
		10	50204-ME5-000	WASHER, MOUNTING RUBBER	2	2	2	2	2		
		11	50350-ME5-000	BRACKET, R. FR. ENGINE HANGER	1	1	1	1	1		
		12	50351-ME5-000	BRACKET, L. FR. ENGINE HANGER	1	1	1	1	1		
		13	50352-ME5-000	BRACKET, R. RR. ENGINE HANGER	1	1	1	1	1		
		14	50354-ME5-000	PLATE, R. FR. UNDER ENGINE	1	1	1	1	1		
		15	50362-ME5-000	COLLAR, DISTANCE HANGER	1	1	1	1	1		
		16	50760-ME5-000	COVER, RR. FORK UPPER	1	1	1	1	1		
		17	90110-ME5-000	BOLT, ENGINE HANGER, 8X55	2	2	2	2	2		
		18	90120-ME5-000	BOLT, ENGINE HANGER, 10X54	1	1	1	1	1		
		19	90122-ME5-000	BOLT, ENGINE HANGER, 10X185	1	1	1	1	1		CM,ED,F,SD,U,1G,2G

L 14

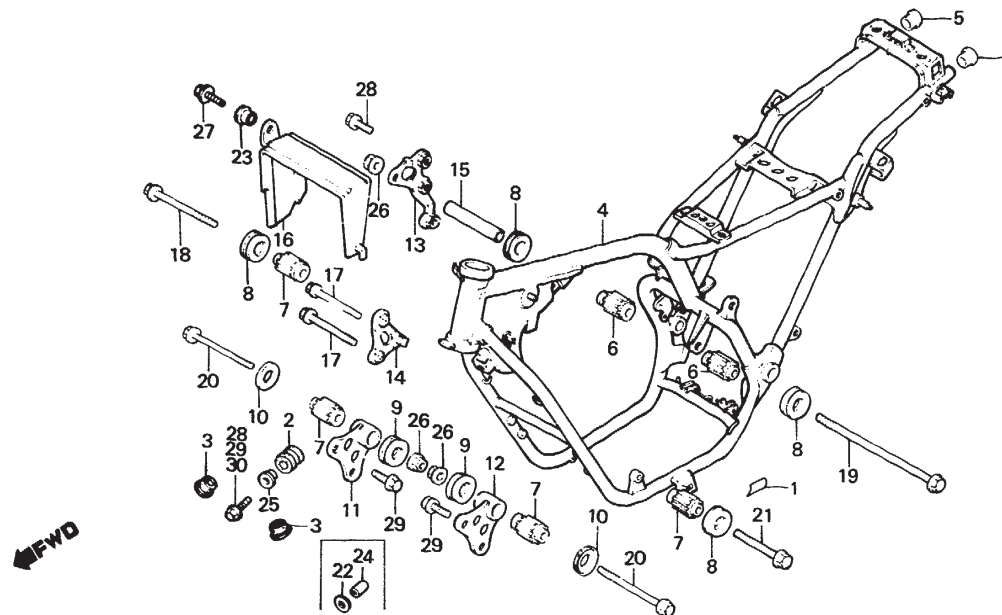
F-30

Frame body

Cadre

Rahmen

Cuerpo de cuadro



BME5-50E

Service item	F.R.T.	Ref. No.	Part No.	Description	Reqd. No.						Serial No.	Area code
					CBX 600Ed	CBX 650Ed	D	E	F	CB650SC		
		*	90123-MJ1-000	BOLT, RR. ENGINE HANGER, 10X188						1		IT
		20	90123-ME5-000	BOLT, ENGINE HANGER, 10X75	2	2	2	2	2			
		21	90126-ME5-000	BOLT, ENGINE HANGER, 10X58	1	1	1	1	1			CM,ED,F,SD,U,1G,2G
		*	90163-MA3-660	BOLT, FLANGE SPECIAL, 10X60						1		IT
		22	90401-706-000	WASHER, 8MM								
		23	90512-422-000	WASHER, CHAIN CASE SETTING	1	1	1	1	1			
		24	90551-MA6-000	COLLAR, 8.6X14	1	1	1	1				
		25	90551-MG7-000	COLLAR, 8.8X11						1		
		26	94050-10000	NUT, FLANGE, 10MM	3	3	3	3	3			
		27	95700-06012-00	BOLT, FLANGE, 6X12	1	1	1	1	1			
		28	95700-08016-07	BOLT, FLANGE, 8X16	3	3	3	2	2			
		29	95700-08020-07	BOLT, FLANGE, 8X20	4	4	4	5	5			CM,ED,F,SD,U,1G,2G
		*	95700-08025-07	BOLT, FLANGE, 8X25						1		IT

L 15

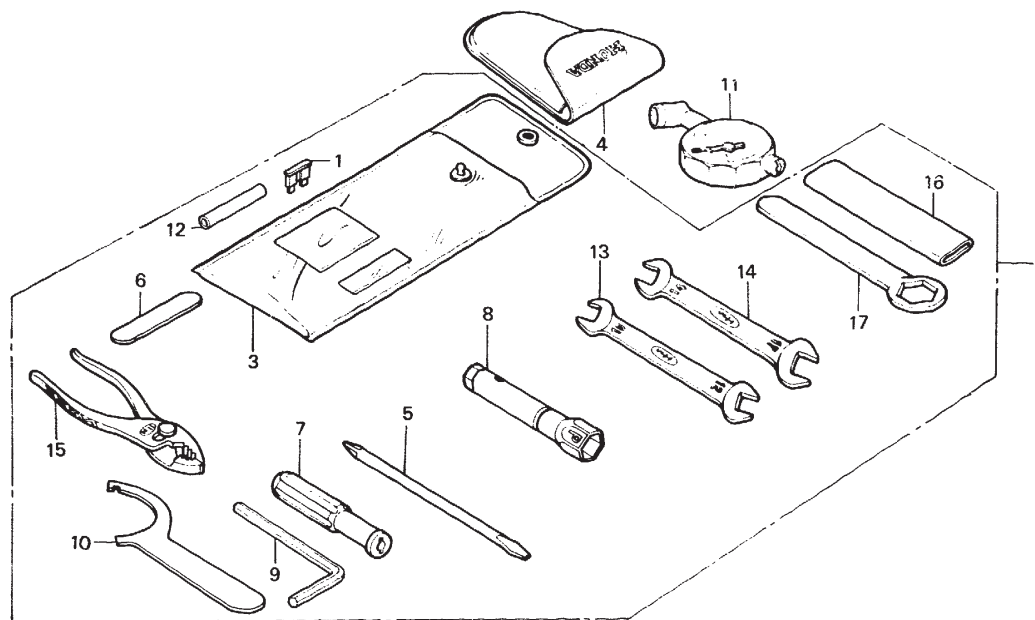
F-31

Tools

Werkzeug

Werkzeug

Herramientas



BME5-51B

Service item	F.R.T.	Ref. No.	Part No.	Description	Reqd. No.						Serial No.	Area code
					CBX 600Ed	CBX 650Ed	D	E	F	CB650SC		
		1	38231-SA5-003	FUSE B (15A)	1	1	1	1	1			
		2	89010-ME5-000	TOOL SET	1	1	1					CM,SD,2G
			89010-ME5-670	TOOL SET		1				2001688	2001687	ED,F,U,1G
		3	89101-ME5-000	BAG, TOOL	1	1	1					CM,SD,2G
			89101-ME5-670	BAG, TOOL		1				2001688	2001687	ED,F,U,1G
		4	89102-469-003	BAG, AIR PRESSURE GAUGE	(1)	(1)	(1)	(1)	(1)			
		5	89102-538-000	SHAFT, SCREW DRIVER	1	1	1	1	1			
		6	89103-371-000	GAUGE, FEELER, 0.7	1	1	1	1	1			
		7	89103-538-000	GRIP	1	1	1	1	1			
		8	89216-ME5-000	WRENCH, PLUG	1	1	1	1	1			
		9	89221-371-000	WRENCH, HEX., 6MM	1	1	1	1	1			
		10	89230-MB1-000	SPANNER, PIN	1	1	1	1	1			
		11	89301-461-003	GAUGE, AIR PRESSURE	(1)	(1)	(1)	(1)	(1)			

L 16

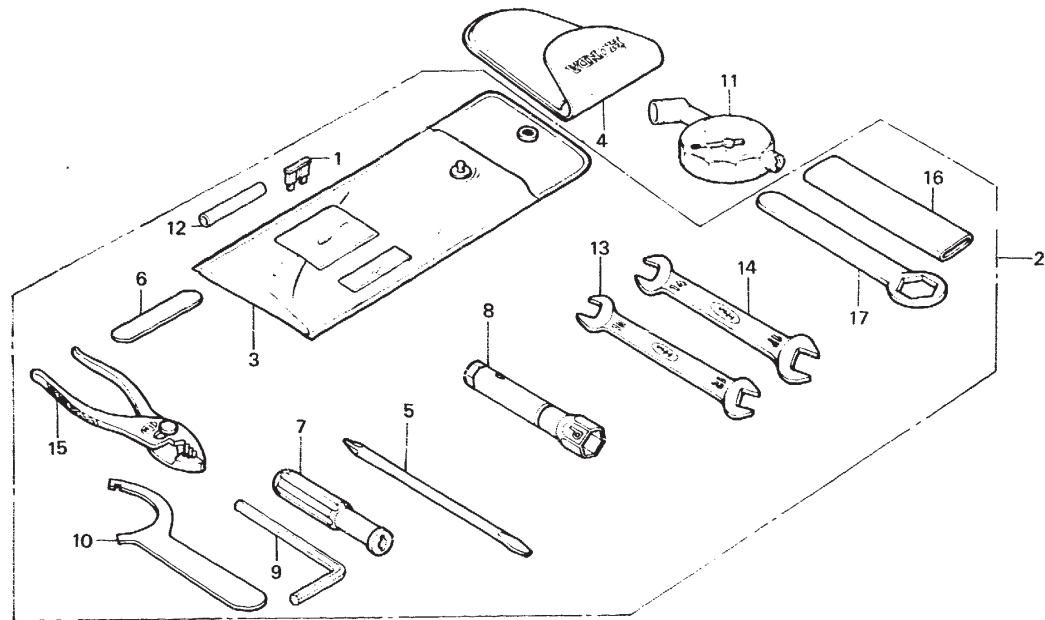
F-31

Tools

Werkzeug

Werkzeug

Herramientas



BME5-51B

Service item	F.R.T.	Ref. No.	Part No.	Description	Reqd. No.						Serial No.	Area code
					CBX 600Ed	CBX 650Ed	D	E	F	CB9650SC		
		12	95003-39002-10	TUBE, VINYL, 12X14X20	1	1	1	1	1	1		
		13	99001-10120	SPANNER, 10X12	1	1	1	1	1	1		
		14	99001-14170	SPANNER, 14X17	1	1	1	1	1	1		
		15	99002-13500	PLIERS, 135	1	1	1	1	1	1		
		16	99006-12000	HANDLE, EYE WRENCH, 12MM	1	1	1	1	1	1		
		17	99006-24000	WRENCH, EYE, 24MM	1	1	1	1	1	1		

M 1

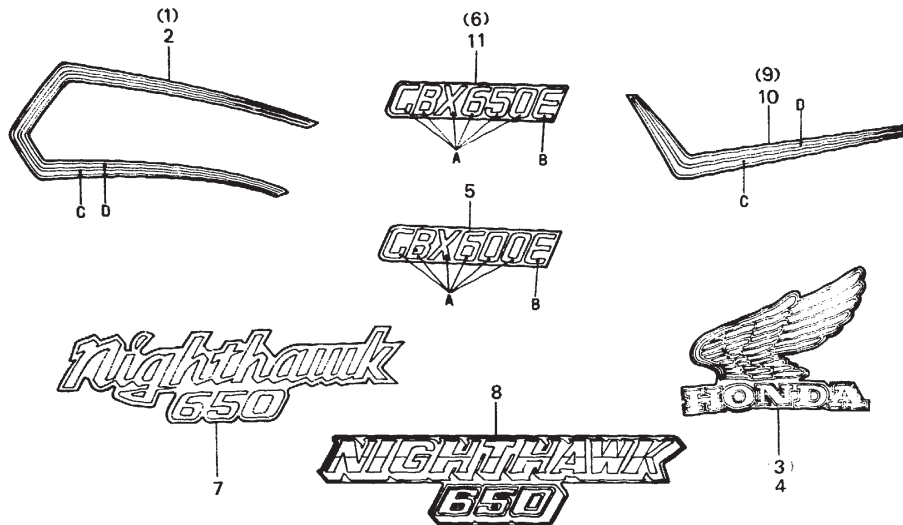
F-32

Emblem

Emblem

Emblem

Emblema



BME5-57B

Service item	F R.T.	Ref. No.	Part No.	Description	Reqd. No.						Serial No.	Area code
					CBX 600Ed	CBX 650Ed	D	CB650SC E	F	F		
		1	17508-ME5-610ZA	STRIPE, R. FUEL TANK (A.M)		1	1					
			17508-ME5-610ZB	STRIPE, R. FUEL TANK (A.M)			1	1				
			17508-ME5-610ZC	STRIPE, R. FUEL TANK (A.M)			1	1				
		2	17509-ME5-610ZA	STRIPE, L. FUEL TANK (A.M)			1	1				
			17509-ME5-610ZB	STRIPE, L. FUEL TANK (A.M)			1	1				
			17509-ME5-610ZC	STRIPE, L. FUEL TANK (A.M)			1	1				
		3	17531-ME5-300	EMBLEM, R. FUEL TANK					1			
			17531-ME5-610	EMBLEM, R. FUEL TANK		1	1					
			17531-ME5-780	EMBLEM, R. FUEL TANK						1		
			17531-ME5-770	MARK, R. FUEL TANK						1		

M 2

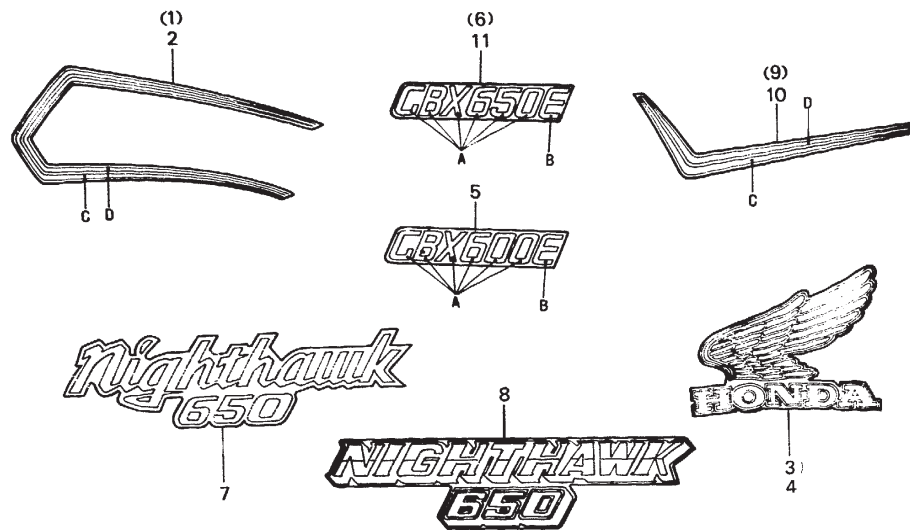
F-32

Emblem

Emblem

Emblem

Emblema



BME5-57B

Service item	F.R.T.	Ref. No.	Part No.	Description	Reqd. No.						Serial No.	Area code
					CBX 600Ed	CBX 650Ed	D	CB650SC	E	F		
		4	17532-ME5-300	EMBLEM, L. FUEL TANK				1				
			17532-ME5-610	EMBLEM, L. FUEL TANK	1	1						
			17532-ME5-780	EMBLEM, L. FUEL TANK						1		
			17532-ME5-770	MARK, L. FUEL TANK								
		5	83605-ME4-640ZA	EMBLEM, SIDE COVER (A.M.)			2					
			83605-ME4-640ZB	EMBLEM, SIDE COVER (A.M.)								*TYPE-1*
			83605-ME4-640ZC	EMBLEM, SIDE COVER (A.M.)			2					*TYPE-2*
												TYPE-3
		6	83605-ME5-610ZA	EMBLEM, R. SIDE COVER *TYPE 1*				1				
			83605-ME5-610ZB	EMBLEM, R. SIDE COVER *TYPE 2*				1				
			83605-ME5-610ZC	EMBLEM, R. SIDE COVER *TYPE 3*				1				

M 3

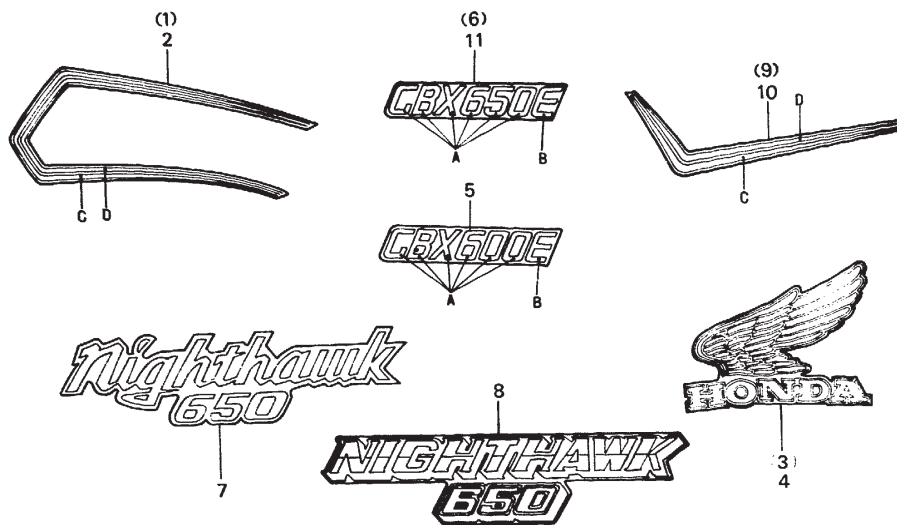
F-32

Emblem

Emblem

Emblem

Emblema



BME5-57B

Service item	F.R.T.	Ref. No.	Part No.	Description	Reqd. No.				Serial No.	Area code
					CBX 600Ed	CBX 650Ed	D	CB650SC E F		
		7	83605-ME5-670	EMBLEM, R. SIDE COVER (A.M)			2			
			83605-ME5-770	MARK, SIDE COVER				2		
		8	83605-ME5-780	MARK, SIDE COVER						
		9	83612-ME5-610ZA	STRIPE, R. SIDE COVER (A.M)	1	1				
			83612-ME5-610ZB	STRIPE, R. SIDE COVER (A.M)						
			83612-ME5-610ZC	STRIPE, R. SIDE COVER (A.M)						
		10	83613-ME5-610ZA	STRIPE, L. SIDE COVER (A.M)	1	1				
			83613-ME5-610ZB	STRIPE, L. SIDE COVER (A.M)						
			83613-ME5-610ZC	STRIPE, L. SIDE COVER (A.M)						
		11	83705-ME5-610ZA	EMBLEM, L. SIDE COVER *TYPE 1*			1			
			83705-ME5-610ZB	EMBLEM, L. SIDE COVER *TYPE 2*			1			

**Color chart for side cover emblem
(CBX600Ed • CBX650Ed)**

Type	Main color	Position	
		A	B
TYPE 1	Pearl shell white	Black	Red
TYPE 2	Candy alamdana red	Pearl shell white	Pearl shell white
TYPE 3	Black-Z	Pearl shell white	Red

**Color chart for side cover stripe
and fuel tank stripe
(CBX600Ed • CBX650Ed)**

Type	Main color	Position	
		C	D
TYPE 1	Pearl shell white	Blue	Red
TYPE 2	Candy alamoana red	Pearl shell white	Blue
TYPE 3	Black-Z	Red	Orange

M 4

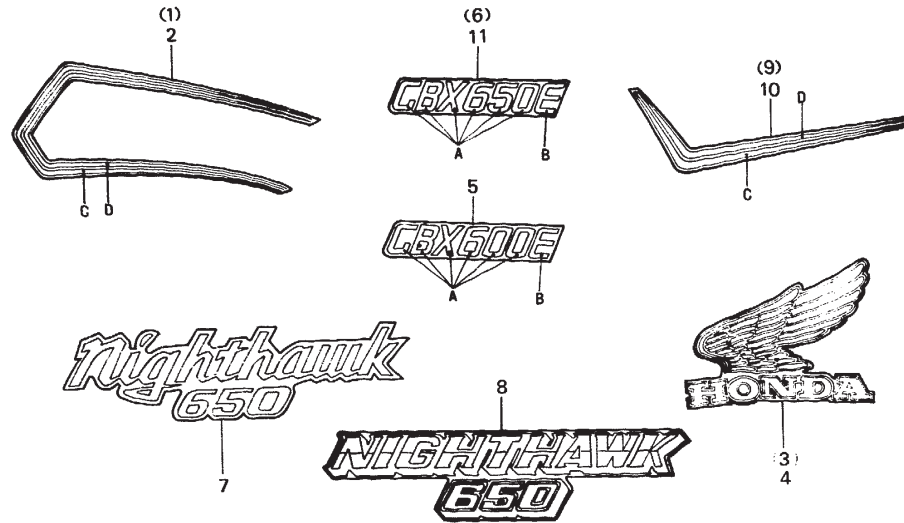
F-32

Emblem

Emblem

Emblem

Emblema



BME5-57B

Service item	F.R.T.	Ref. No.	Part No.	Description	Reqd. No.			Serial No.	Area code
					CBX 600Ed	CBX 650Ed	CB650SC D E F		
			83705-ME5-610ZC	EMBLEM, L. SIDE COVER *TYPE 3*			1		